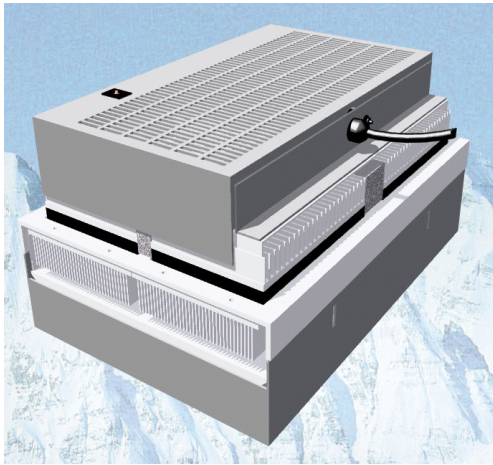
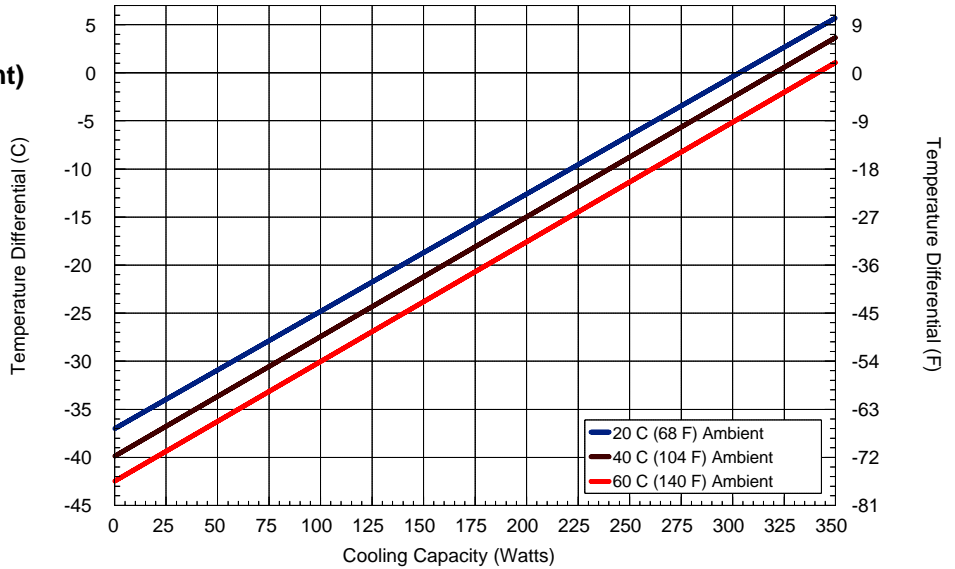


# AHP-1800XP

1035-1180 Btu/Hr  
Class 1, Division 2, Nema-4X (Thru Mount)



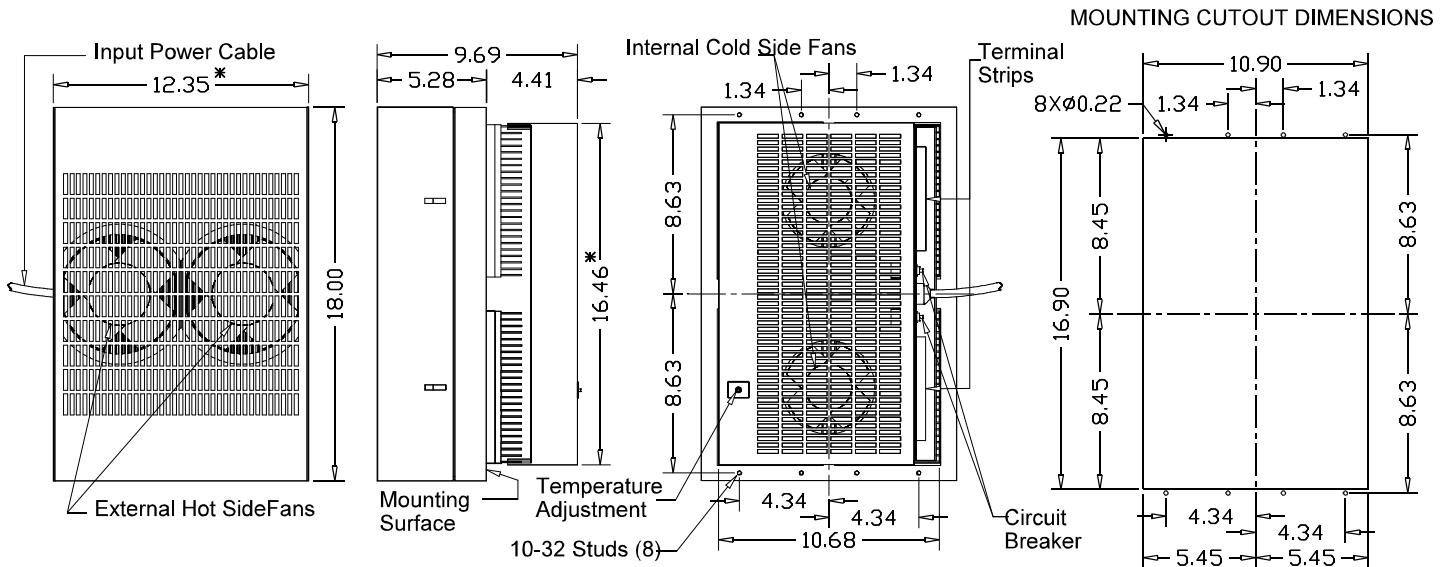
## Performance:



Ambient Temp	20°C	40°C	60°C
Enclosure Air	$y = .122x - 37$	$y = .122x - 39.7$	$y = .122x - 42.3$
Cold Sink	$y = .09x - 37$	$y = .09x - 39.7$	$y = .09x - 42.3$

## Specifications

Model	Part Number	Notes	Performance Rating	Voltage (VAC 50/60)	Current	Weight Lbs.	Temperature Control	Operating Range (°C)	UL-1604
AHP-1800XP	0-0180-2-002	Cool only, sealed components, control built in	1035-1180	120	7.5	46(21)	TC-6F	-28/+70	ETL/ETLc
AHP-1800XPHC	0-0130-3-003	Heat/Cool, sealed components, control built in	1035-1180	120	7.5	46(21)	TC-3F	-28/+70	ETL/ETLc
AHP-1801XP	0-0181-2-002	Cool only, sealed components, control built in	1035-1180	120/240	7.5/5.0	46(21)	TC-6F	-28/+70	ETL/ETLc
AHP-1801XPHC	0-0131-3-003	Heat/Cool, sealed components, control built in	1035-1180	120/240	7.5/5.0	46(21)	TC-3F	-28/+70	ETL/ETLc
AHP-1801XPHC-1	0-0171-3-004	Heat/Cool, sealed components, control optional	1035-1180	120/240	7.5/5.0	46(21)	none	-28/+70	ETL/ETLc



\*Dimension does not include hardware, insulation    Dimensions, Inches    Mounting hardware and gasket not shown



Call us toll free at 888-TECA-USA (832-2872)

ThermoElectric Cooling America Corporation • 4048 W. Schubert Ave. • Chicago IL (USA) 60639  
Phone: 773-342-4900 Fax: 773-342-0191 • www.thermoelectric.com • teca@thermoelectric.com