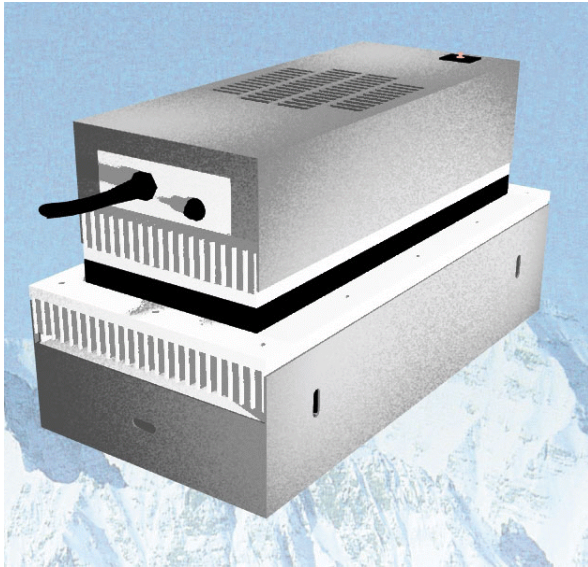
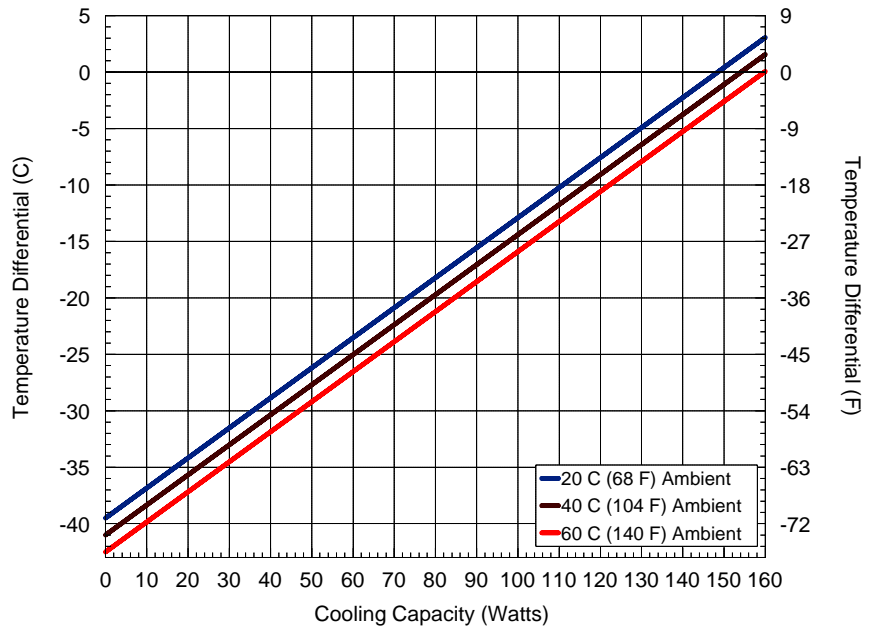


AHP-1200XP

500-550 Btu/Hr
Class 1, Division 2, Nema-4 (Thru Mount)



Performance:



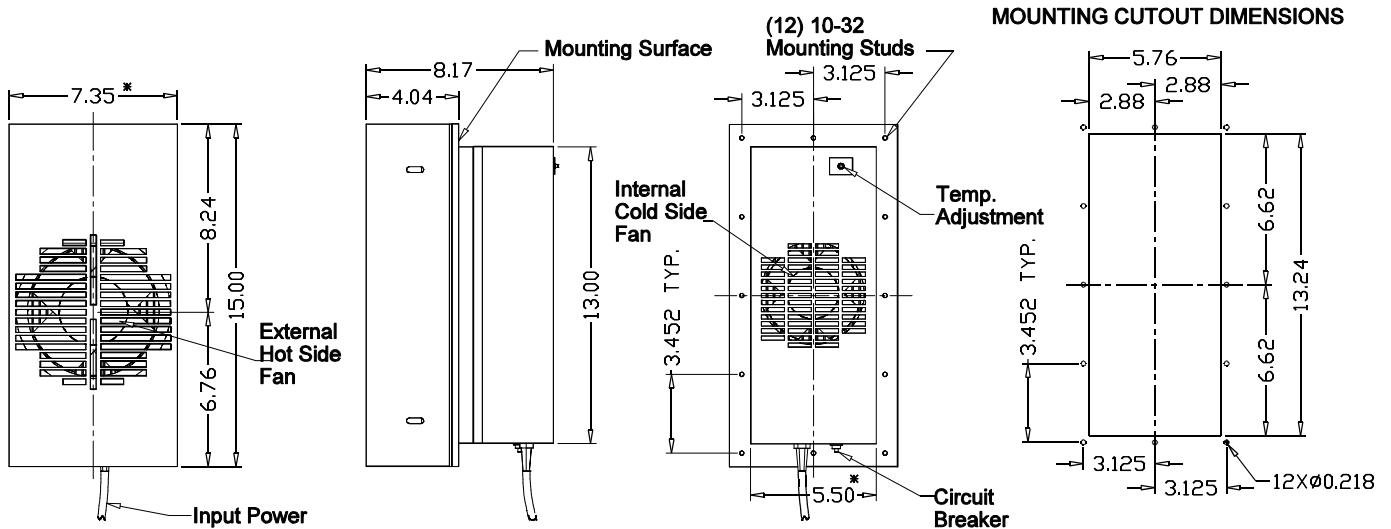
Specifications



Ambient	20EC	40EC	60EC
Enclosure Air	$y = .266x - 39.5$	$y = .266x - 41$	$y = .266x - 42.5$
Cold Sink	$y = .173x - 39.5$	$y = .173x - 41$	$y = .173x - 42.5$

$y = ^\circ T(EC)$ $x = \text{Capacity (Watts)}$

Model	Part Number	Notes	Performance Rating (BTU/hr)	Voltage (VAC 50/60 Hz)	Current (Amps)	Weight Lbs. (Kg)	Temperature Control	Operating Range (EC)	UL1604
AHP-1200XP	0-3080-2-003	Cool only, Mil fan, Hazardous duty, control built in	500-550	120	4.5	21(9.5)	TC-6F	-28/+70	ETL/ETLc
AHP-1200XPM	0-3080-2-004	Cool only, Mil fans, Hazardous duty, full shock and vibration	500-550	120	4.5	21(9.5)	TC-6F	-28/+70	ETL/ETLc
AHP-1200XPHC	0-3030-3-007	Heat/Cool, Mil fan, Hazardous duty, control built in	500-550	120	4.5	21(9.5)	TC-3F	-28/+70	ETL/ETLc



* Dimension does not include hardware, insulation. Dimensions, Inches Mounting hardware and gasket not shown.



Call us toll free at 888-TECA-USA (832-2872)

ThermoElectric Cooling America Corporation • 4048 W. Schubert Ave. • Chicago IL (USA) 60639
Phone: 773-342-4900 Fax: 773-342-0191 • www.thermoelectric.com • teca@thermoelectric.com