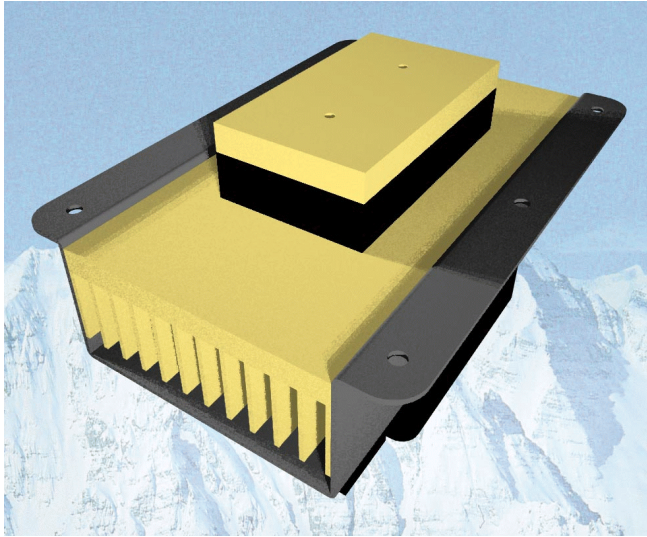
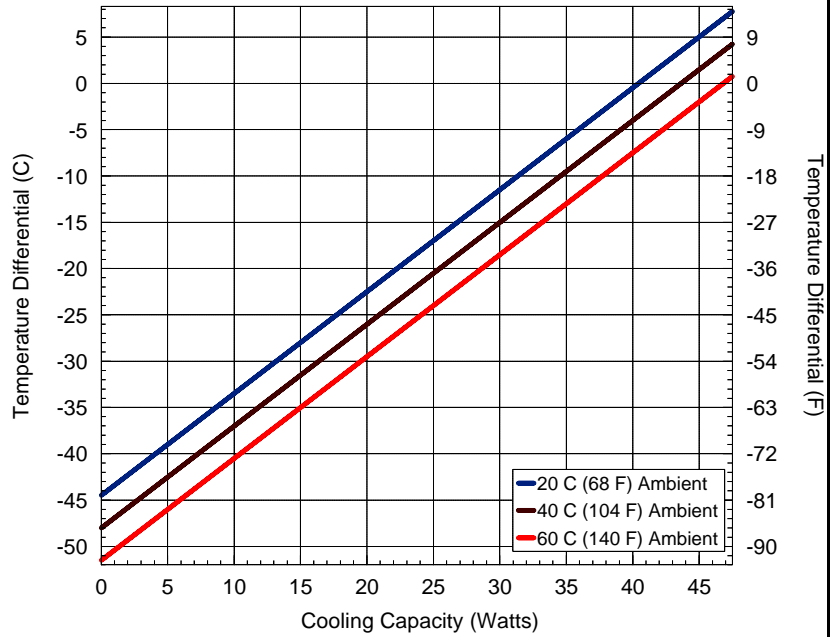


# AHP-150CP

140-160 Btu/Hr  
Air Cooled Cold Plate



## Performance:

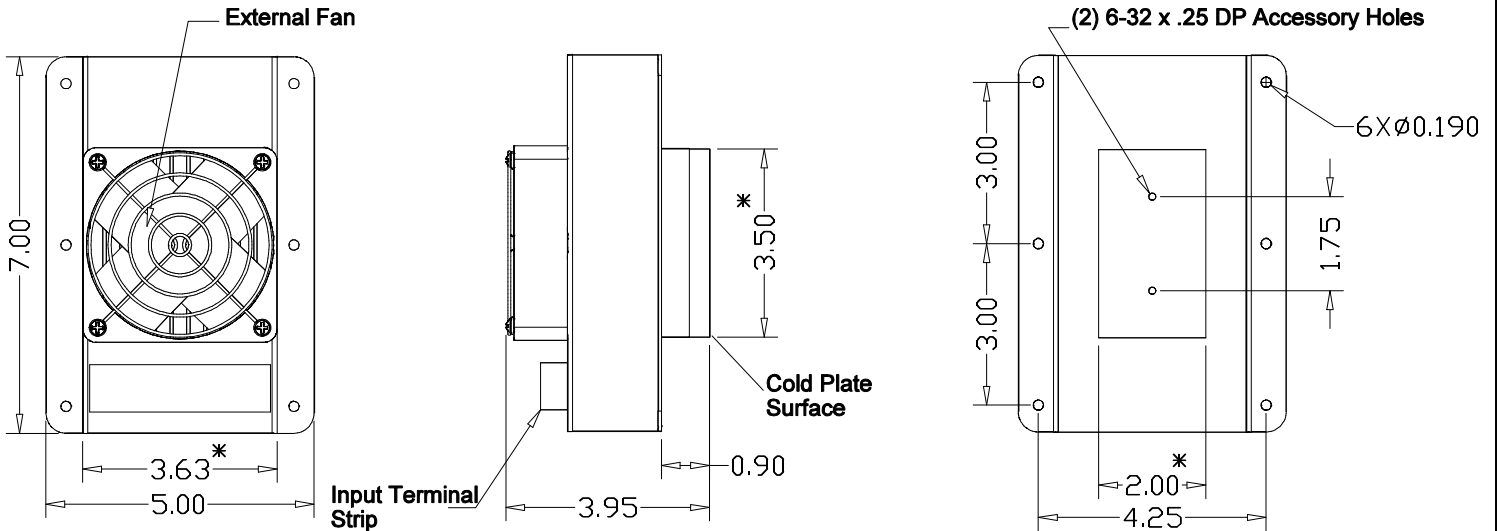


Ambient	20EC	40EC	60EC
Cold Plate	$y=1.1x-44.5$	$y=1.1x-48$	$y=1.1x-51.5$

$y = aT(EC)$      $x = \text{Capacity (Watts)}$

## Specifications

Model	Part Number	Notes	Performance Rating (BTU/hr)	Voltage (VDC)	Current (Amps)	Weight Lbs. (Kg)	Temperature Control	Operating Range (EC)
AHP-150CP	1-8098-0-000	Cool only, no temperature control	140-160	12/24	6/3	3.5(1.6)	none	-10/+70
AHP-150CPHC	1-8094-1-000	Heat/Cool, no temperature control, 12 VDC	140-160	12	6	3.5(1.6)	none	-10/+70
AHP-150CPHC	1-8095-1-000	Heat/Cool, no temperature control, 24 VDC	140-160	24	3	3.5(1.6)	None	-10/+70



\* Dimensions do not include hardware, insulation. Dimensions are in inches.



Call us toll free at 888-TECA-USA (832-2872)

ThermoElectric Cooling America Corporation • 4048 W. Schubert Ave. • Chicago IL (USA) 60639  
Phone: 773-342-4900 Fax: 773-342-0191 • www.thermoelectric.com • teca@thermoelectric.com

