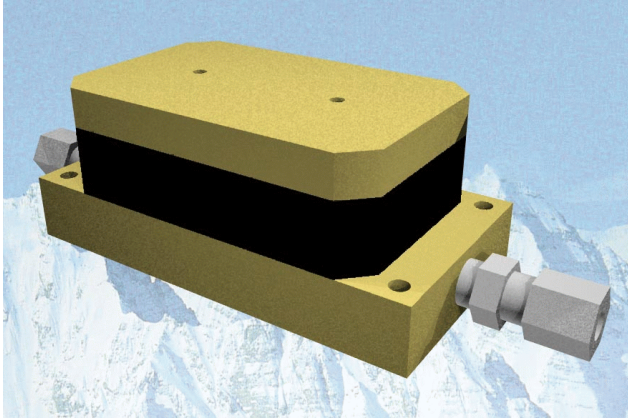
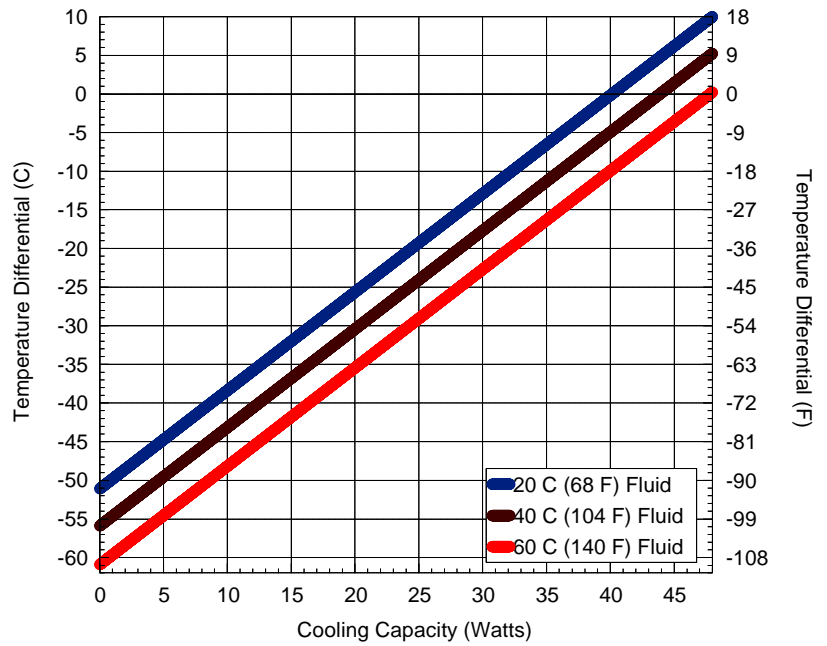


LHP-150CP

130-160 Btu/Hr
Liquid Cooled Cold Plate



Performance:

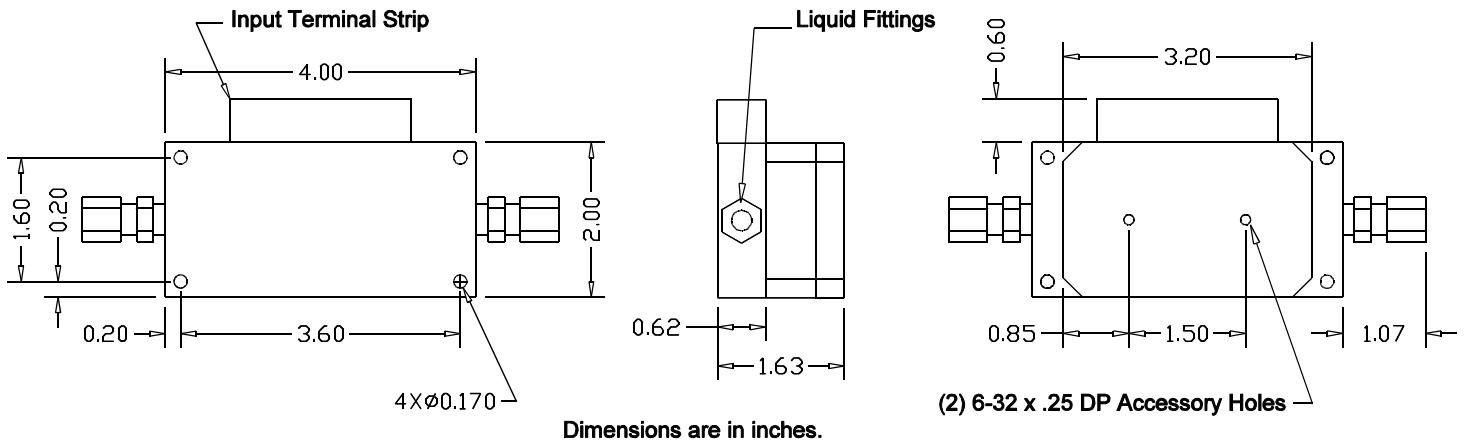


Liquid Temp.	20EC	40EC	60EC
Cold Plate	$y=1.30x-51$	$y=1.30x-56$	$y=1.30x-61$

$y = \Delta T(EC)$ $x = \text{Capacity (Watts)}$

Specifications

Model	Part Number	Notes	Performance Rating (BTU/hr)	Voltage	Current (Amps)	Heat Voltage	Weight Lbs. (Kg)	Minimum Flow (GPM)	Operating Range (EC)
LHP-150CP	3-8094-0-000	Cool only, no temperature control	130-160	12	4.5	N/A	.75(.34)	0.2	0/+70
LHP-150CPHC	3-8094-1-000	Heat/Cool, no temperature control, 72 Watts Heat	130-160	12	4.5	12 VDC	.75(.34)	0.2	0/+70
LHP-150CPHC	3-8099-1-000	Heat/Cool, no temperature control, 72 Watts Heat	130-160	12	4.5	120 VAC	.75(.34)	0.2	0/+70



Call us toll free at 888-TECA-USA (832-2872)

ThermoElectric Cooling America Corporation • 4048 W. Schubert Ave. • Chicago IL (USA) 60639
Phone: 773-342-4900 Fax: 773-342-0191 • www.thermoelectric.com • teca@thermoelectric.com