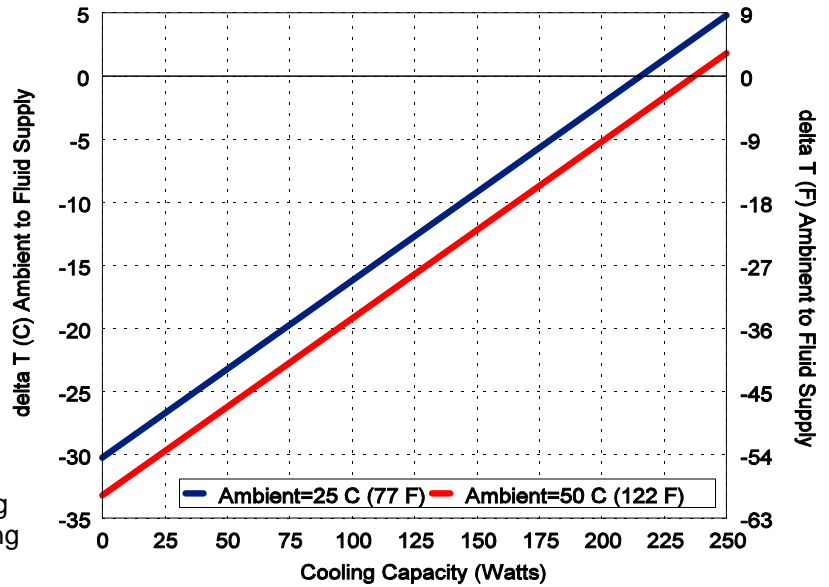


# ameritemp<sup>TM</sup> TLC-702 Solid State Liquid Chiller

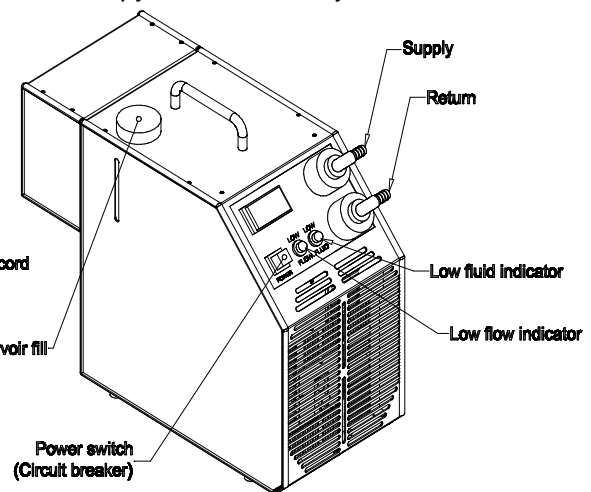
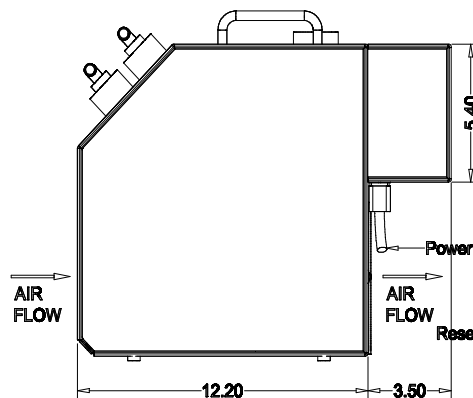
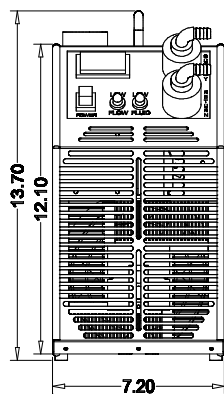


**Standard Features:**

- g 215 Watt Capacity
- g PID Temperature Control
- g Fluid Quick Connects
- g Stainless Steel Housing
- g Low Fluid/Flow Warning
- g External Plumbing

Model Number	Part Number	Voltage (Volts)	Current (Amps RMS)	Frequency (Hz)	Weight Kg(Lbs)	Maximum Ambient	Heating Option (HC suffix)
TLC-702 TLC-702HC	6-A0D2-0-000 6-A0D0-1-000	240 VAC	2.9	50/60	13.6(30)	50EC(+122EF)	200 Watt
Control Stability	Control	Housing	Liquid Jacket	Reservoir Capacity	Pump Flow Max Pressure	External Plumbing Provided with Shipment	Size (Inches)
< +/- 0.5EC	Digital Display 0.1EC Indication	Stainless Steel Type 304	Aluminum Type 6063	500 mL 0.13 Gal	2 1/2 IPM (.66 GPM) Open Flow Full Curve Available	6 Foot Supply & Return Reinforced 3/8" ID PVC Tubing with Insulation	13.69 x 7.2 x 15.7

**TECA's Ameritemp<sup>TM</sup> Series Chillers** are a compact and reliable alternative to conventional recirculating coolers. A complete integrated package is now offered in a standard configuration. Precise temperature control and external plumbing lines with quick connectors are included with our base model. Options such as heating, RS-232 interface & Computer Communications software are offered as well. The Ameritemp<sup>TM</sup> is ideal for bench-top or portable applications such as laboratory, laser, x-ray, out-patient and medical therapy as well as many others.



Call us toll free at 888-TECA-USA (832-2872)

Dimensions are in inches

ThermoElectric Cooling America Corporation • 4048 W. Schubert Ave. • Chicago IL (USA) 60639  
Phone: 773-342-4900 Fax: 773-342-0191 • www.thermoelectric.com • teca@thermoelectric.com