

AHP-1200

Solid-State Air Conditioner



Air Cooled
Thru Mount
Nema-12, 4,4X, Class 1 Div 2



FEATURES

- Compact, (only 15" L X 7.35" W X 8.17" D)
- Weighs only 21 lbs. (9.5 kg)
- Excels in high ambient temperatures
- Environmentally safe
- Dual voltage versions available
- No compressor, fluorocarbons or filters
- Virtually maintenance-free operation
- Stainless steel exterior housing
- Versions to withstand corrosive environments, shock and vibration
- Mounts and operates in any orientation

INCLUDES

- Adjustable temperature control
- Gasket and mounting hardware
- Power input line cord

APPLICATIONS

Cools electronic enclosures and control cabinets in factories, mines and on ships.

SPECIFICATIONS

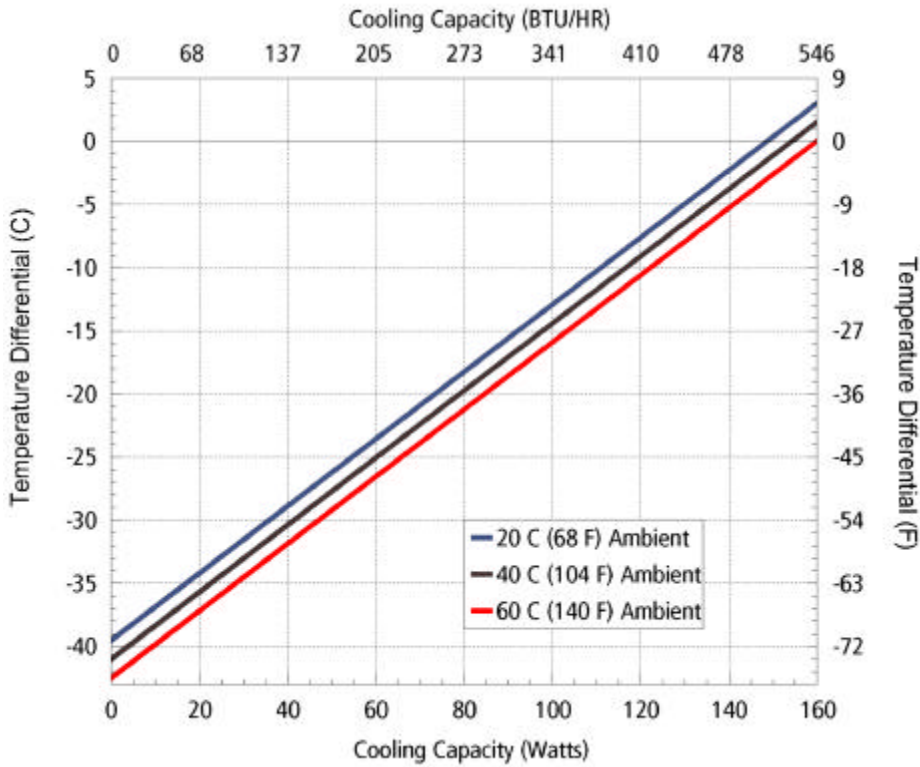
	MODEL	PART NUMBER	NOTES	PERFORMANCE RATING BTU/HR	VOLTAGE VAC 50/60HZ	CURRENT AMPS.	WEIGHT LBS.(KG)	TEMP. CONTROL *	OPERATING AMBIENT °C	AGENCY APPROVALS (ETL)
NEMA 12	→ AHP-1200	0-3080-0-000	Cool only	500-550	120	4.0	21(9.5)	TC-6F	-10/+70	UL1995/CSA22.2, CE
	AHP-1200	0-3050-0-000	Cool only	500-550	120	4.0	21(9.5)	OPT*	-10/+70	UL1995/CSA22.2, CE
	AHP-1200HC	0-3030-1-000	Heat/Cool	500-550	120	4.0	21(9.5)	TC-3F	-10/+70	UL1995/CSA22.2, CE
	AHP-1200HC	0-3050-1-000	Heat/Cool	500-550	120	4.0	21(9.5)	OPT*	-10/+70	UL1995/CSA22.2, CE
	AHP-1201	0-3081-0-000	Cool only	500-550	120/240	4.0/2.2	29(13.2)	TC-6F	-10/+70	UL1995/CSA22.2, CE
	AHP-1201	0-3051-0-000	Cool only	500-550	120/240	4.0/2.2	29(13.2)	OPT*	-10/+70	UL1995/CSA22.2, CE
	AHP-1201HC	0-3031-1-000	Heat/Cool	500-550	120/240	4.0/2.2	29(13.2)	TC-3F	-10/+70	UL1995/CSA22.2, CE
	→ AHP-1201HC	0-3051-1-000	Heat/Cool	500-550	120/240	4.0/2.2	29(13.2)	OPT*	-10/+70	UL1995/CSA22.2, CE
	→ AHP-1200XE	0-3080-4-000	Cool only	500-550	120	4.5	23(10.4)	TC-6F	-28/+70	UL1995/CSA22.2, CE
	AHP-1200XE	0-3050-4-000	Cool only	500-550	120	4.5	23(10.4)	OPT*	-28/+70	UL1995/CSA22.2, CE
	AHP-1200XEHC	0-3030-5-000	Heat/Cool	500-550	120	4.5	23(10.4)	TC-3F	-28/+70	UL1995/CSA22.2, CE
	AHP-1200XEHC	0-3050-5-000	Heat/Cool	500-550	120	4.5	23(10.4)	OPT*	-28/+70	UL1995/CSA22.2, CE
NEMA 4X	AHP-1202XE	0-3082-4-000	Cool only	500-550	240	2.5	30(13.6)	TC-6F	-28/+70	UL1995/CSA22.2, CE
	AHP-1202XE	0-3052-4-000	Cool only	500-550	240	2.5	30(13.6)	OPT*	-28/+70	UL1995/CSA22.2, CE
	AHP-1202XEHC	0-3032-5-000	Heat/Cool	500-550	240	2.5	30(13.6)	TC-3F	-28/+70	UL1995/CSA22.2, CE
	AHP-1202XEHC	0-3052-5-000	Heat/Cool	500-550	240	2.5	30(13.6)	OPT*	-28/+70	UL1995/CSA22.2, CE
	AHP-1200X	0-3080-2-000	Cool only	500-550	120	4.0	23(10.4)	TC-6F	-28/+70	UL1995/CSA22.2, CE
	AHP-1200X	0-3050-2-000	Cool only	500-550	120	4.0	23(10.4)	OPT*	-28/+70	UL1995/CSA22.2, CE
	AHP-1200XHC	0-3030-3-000	Heat/Cool	500-550	120	4.0	23(10.4)	TC-3F	-28/+70	UL1995/CSA22.2, CE
	→ AHP-1200XHC	0-3050-3-000	Heat/Cool	500-550	120	4.0	23(10.4)	OPT*	-28/+70	UL1995/CSA22.2, CE
	→ AHP-1200XP	0-3080-2-003	Cool only	500-550	120	4.5	23(10.4)	TC-6F	-28/+70	UL-1604
	AHP-1200XPM	0-3080-2-004	Cool only	500-550	120	4.5	23(10.4)	TC-6F	-28/+70	UL-1604
	→ AHP-1200XPHC	0-3030-3-007	Heat/Cool	500-550	120	4.5	23(10.4)	TC-3F	-28/+70	UL-1604

Consult us for model AHP-1200XM, full shock and vibration version

*OPT; Unit is set up for TC-3300 Controller (or similar)

AHP-1200

PERFORMANCE CURVE



Equation of line: $y = \Delta T(^{\circ}C)$ $x = \text{Capacity (Watts)}$

Ambient Temp	20°C	40°C	60°C
Enclosure Air	$y = .266x - 39.5$	$y = .266x - 41.0$	$y = .266x - 42.5$
Cold Sink	$y = .173x - 39.5$	$y = .173x - 41.0$	$y = .173x - 42.5$

MOUNTING STYLE

Thru Mount

ENVIRONMENTS

Nema-12 IP 40 (maintains IP 52)

Nema-4/4X IP 56

Class 1 Div 2 & Nema-4X IP 56

RATING (TRADITIONAL)

530 BTU/hr @ 0 °F ΔT

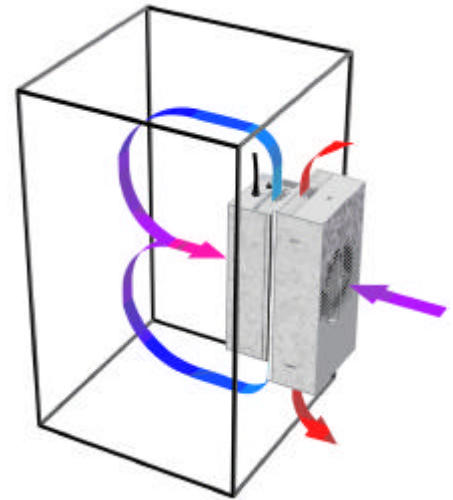
670 BTU/hr @ +20 °F ΔT *

RATING (DIN 3168)

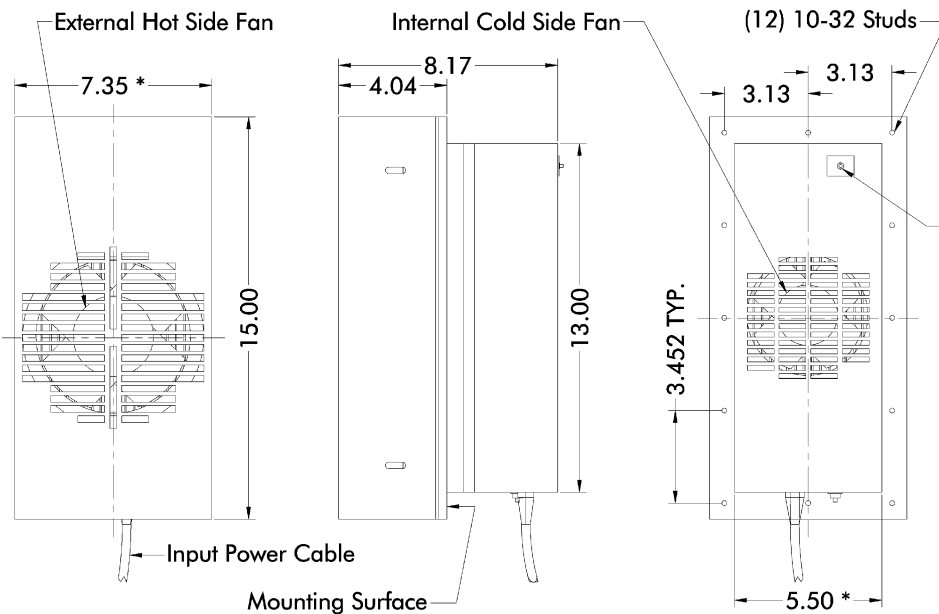
154 Watts L35 L35

100 Watts L35 L50

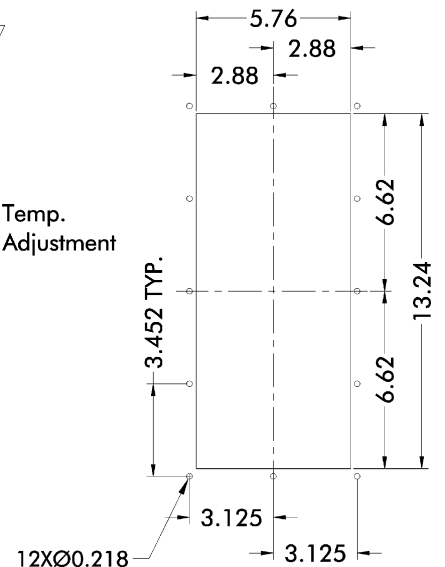
* See page 6



DIMENSIONS



MOUNTING CUTOUT DIMENSIONS



* Dimension does not include hardware. Dimensions: Inches, Mounting hardware and gasket included but not shown.