

AHP-300FF

Air Conditioner

Air Cooled
Thru Mount
NEMA-12, 4, and 4x

General Purpose VDC Input

FEATURES

- Compact (only 10" L X 5.37" W X 6.45" D)
- Weighs only 7.5 lbs. (3.4 kg)
- Ambient range -10°C to +70°C
- No compressor, fluorocarbons or filters
- Virtually maintenance-free operation
- Mounts in any orientation
- X versions use mil-grade hot side fan
- XE versions use industrial grade high quality sealed fans

INCLUDES

- Gasket and mounting hardware
- Hook-up leads
- Mounting hardware

OPTIONS

- Temperature Control TC-6F DC for cool only
- Temperature Control TC-3F DC for heat/cool
- Temperature Control TC-3500 for heat/cool reverse polarity
- Adaptable for TC-3300 and TC-4300 control
- Cover for hot side



SPECIFICATIONS

	MODEL	PART NUMBER	NOTES	PERFORMANCE RATING BTU/HR	VOLTAGE VDC	CURRENT AMPS.	WEIGHT LBS.(KG)	TEMP. CONTROL	OPERATING AMBIENT °C
N 1	AHP-300FF	0-7097-0-000	Cool only	200-220	12/24/48	12/6/3	7.5(3.4)	none	-10/+70
	AHP-300FFHC	0-7094-1-000	Heat/Cool	200-220	12	12	7.5(3.4)	none	-10/+70
2	AHP-300FFHC	0-7095-1-000	Heat/Cool	200-220	24	6	7.5(3.4)	none	-10/+70
	AHP-300FFHC	0-7097-1-001	Heat/Cool rev. pol.	200-220	12/24/48	12/6/3	7.5(3.4)	none*	-10/+70
N 4 X	AHP-300XE	0-7097-4-000	Cool only, sealed fan	200-220	12/24/48	12/6/3	7.5(3.4)	none	-10/+70
	AHP-300XEHC	0-7095-5-000	Heat/Cool, sealed fan	200-220	24	6	7.5(3.4)	none	-10/+70
	AHP-300XEHC	0-7097-5-001	Heat/Cool rev. pol.	200-220	12/24/48	12/6/3	7.5(3.4)	none*	-10/+70
	AHP-300X	0-7097-2-000	Cool only, Mil grade fan	200-220	12/24/48	12/6/3	9.2(4.2)	none	-10/+70
	AHP-300XHC	0-7094-3-000	Heat/Cool, Mil grade fan	200-220	12	12	9.2(4.2)	none	-10/+70
	AHP-300XHC	0-7095-3-000	Heat/Cool, Mil grade fan	200-220	24	6	9.2(4.2)	none	-10/+70
	AHP-300XHC	0-7097-3-001	Heat/Cool rev. pol.	200-220	12/24/48	12/6/3	9.2(4.2)	none*	-10/+70

* Reverse polarity unit can be used with external TC-3500 controller operating at 24VDC only see P. 112

See also , "Power Supplies", P. 117

AHP-300FF

MOUNTING STYLE

Thru Mount

ENVIRONMENTS

NEMA-12 IP 40 (maintains IP 52)

NEMA-4,4X IP 56

RATING (TRADITIONAL)

210 BTU/hr @ 0 °F ΔT

250 BTU/hr @ +20 °F ΔT *

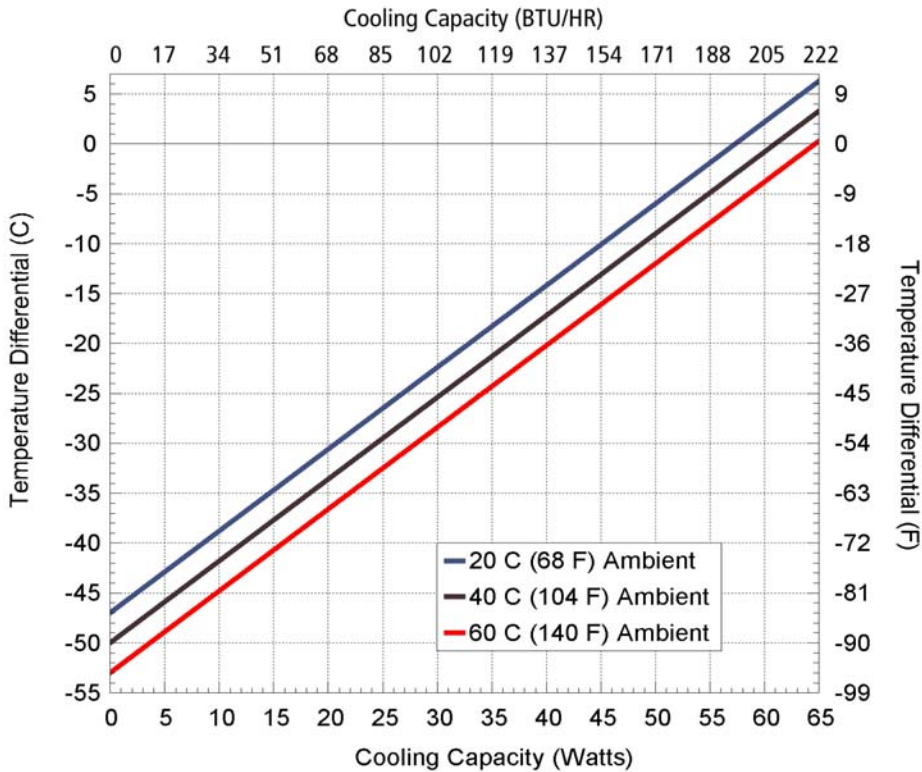
RATING (DIN 3168)

61 Watts L35 L35

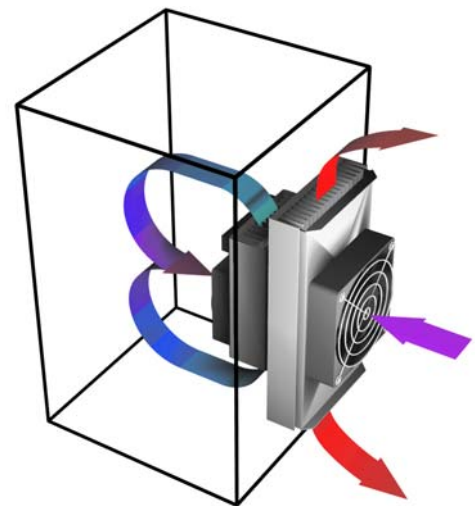
44 Watts L35 L50

* See page 10

PERFORMANCE CURVE

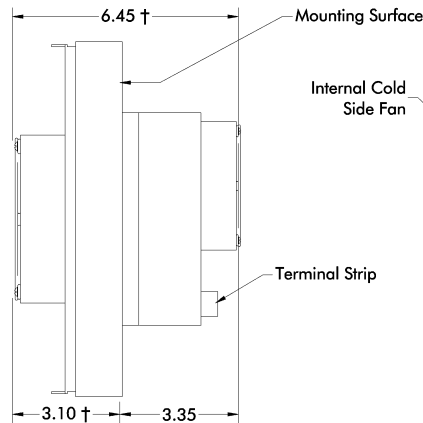
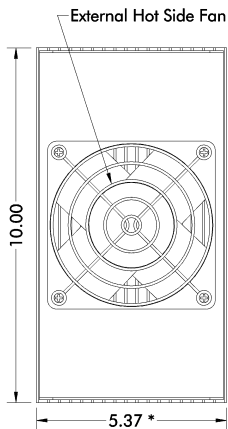


	y=ΔT(°C) x=Capacity (Watts)		
Ambient Temp	20°C	40°C	60°C
Enclosure Air	y=.82x-47.0	y=.82x-50.0	y=.82x-53.0
Cold Sink	y=.64x-47.0	y=.64x-50.0	y=.64x-53.0

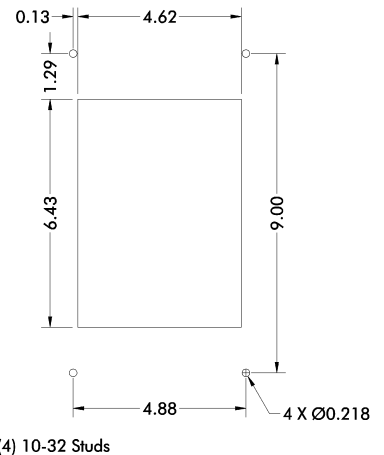


Air Flow Pattern

DIMENSIONS



MOUNTING CUTOUT DIMENSIONS



* Dimension does not include hardware, insulation. Dimensions: Inches, Mounting hardware and gasket included but not shown.
 † On all models of AHP-300X, these dimensions are greater by 0.25 inch.