

# AHP-301FF Solid-State Air Conditioner

Air Cooled  
Thru Mount  
Nema-12

## FEATURES

- Compact (only 10" L X 5.52" W X 7.83" D)
- Weighs only 12 lbs. (5.4 kg)
- Ambient range -10°C to +70°C
- Mounts and operates in any orientation: horizontal, vertical, etc.
- Low vibration and noise
- No moving parts except fans
- Environmentally safe
- Dual voltage
- No compressor, fluorocarbons or filters
- Virtually maintenance-free operation
- Stainless steel exterior housing

## INCLUDES

- Integral power supply 120/240 VAC
- Gasket and mounting hardware

## APPLICATIONS

Cools electronic enclosures and control cabinets in factories and elsewhere.



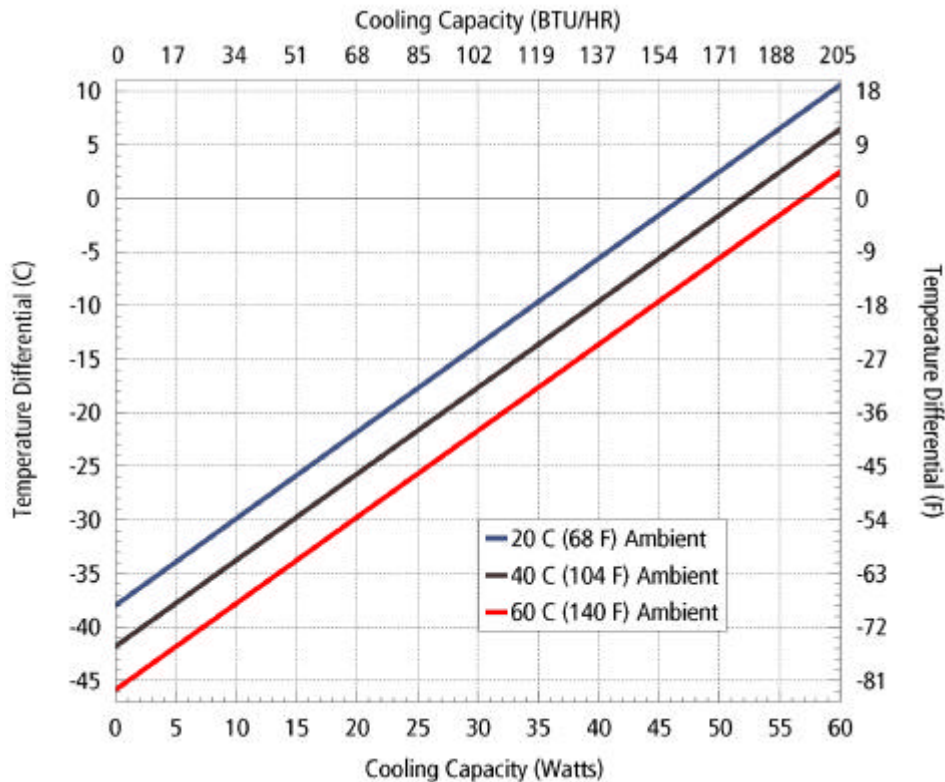
## SPECIFICATIONS

MODEL	PART NUMBER	NOTES	PERFORMANCE RATING BTU/HR	VOLTAGE VAC 50/60HZ	CURRENT AMPS.	WEIGHT LBS.(KG)	TEMP. CONTROL *	OPERATING AMBIENT °C
AHP-301FF	0-7091-0-000	Cool only	160-200	120/240	1.4/1.70	12(5.4)	none	-10/+70
AHP-301FF	0-7081-0-000	Cool only	160-200	120/240	1.4/1.70	12(5.4)	TC-6F	-10/+70
AHP-301FFHC	0-7031-1-000	Heat/Cool	160-200	120/240	1.4/1.70	12(5.4)	TC-3F	-10/+70
AHP-301FF	0-7051-0-000	Cool only	160-200	120/240	1.4/1.70	12(5.4)	OPT*	-10/+70
AHP-301FFHC	0-7051-1-000	Heat/Cool	160-200	120/240	1.4/1.70	12(5.4)	OPT*	-10/+70
AHP-301FF/85	0-70F1-0-000	Cool only	160-200	120/240	1.4/1.70	12(5.4)	85°F (30°C)	-10/+70
AHP-301FF/3300	0-70D1-0-000	Cool only	160-200	120/240	1.4/1.70	14(6.4)	TC-3300	-10/+70
AHP-301FFHC/3300	0-70D1-1-000	Heat/Cool	160-200	120/240	1.4/1.70	14(6.4)	TC-3300	-10/+70

\*OPT; Unit is set up for TC-3300 Controller (or similar)

# AHP-301FF

## PERFORMANCE CURVE



Equation of line: $y = \Delta T(^{\circ}C)$ $x = \text{Capacity (Watts)}$			
Ambient Temp	20°C	40°C	60°C
Enclosure Air	$y = .81x - 38.0$	$y = .81x - 42.0$	$y = .81x - 46.0$
Cold Sink	$y = .62x - 38.0$	$y = .62x - 42.0$	$y = .62x - 46.0$

### MOUNTING STYLE

Thru Mount

### ENVIRONMENTS

Nema-12 IP 40 (maintains IP 52)

### RATING (TRADITIONAL)

180 BTU/hr @ 0 °F ΔT

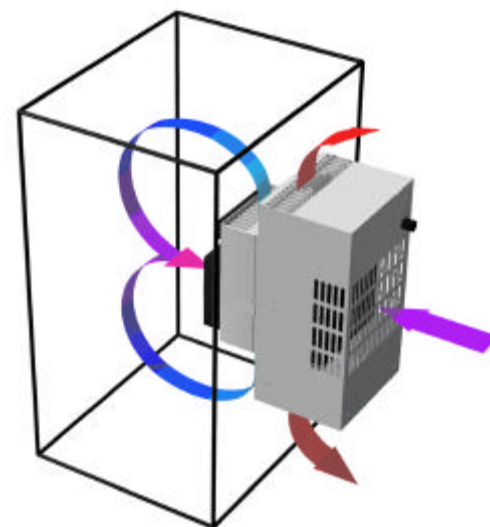
220 BTU/hr @ +20 °F ΔT \*

### RATING (DIN 3168)

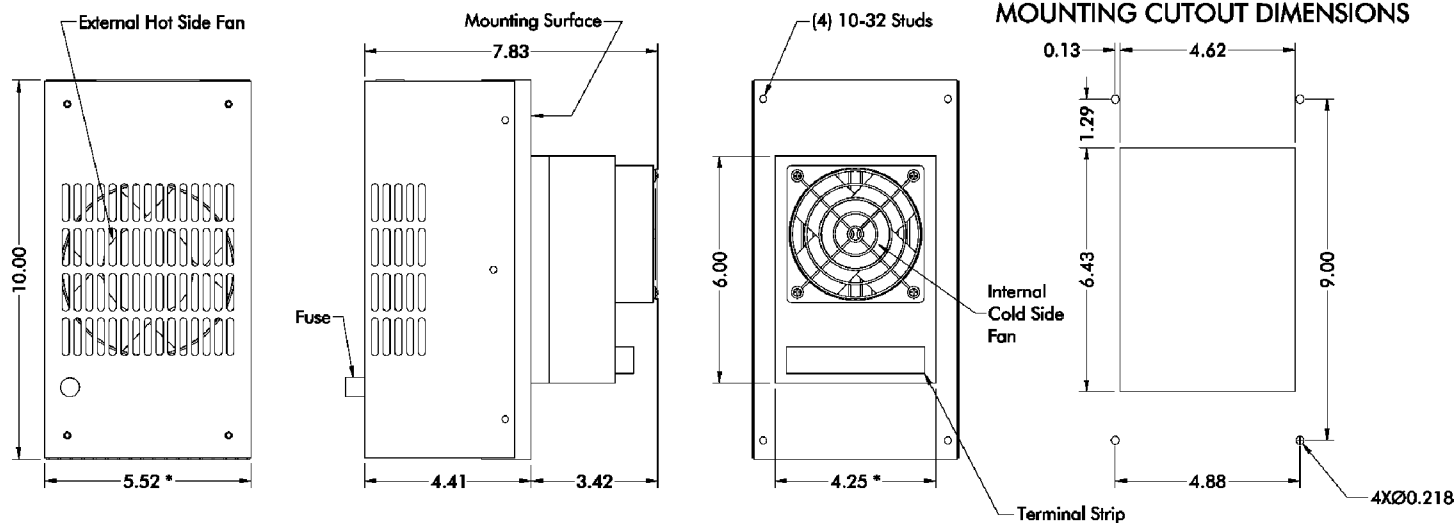
52 Watts L35 L35

36 Watts L35 L50

\* See page 6



## DIMENSIONS



\* Dimension does not include hardware, insulation. Dimensions: Inches, Mounting hardware and gasket included but not shown.