

LHP-1700FF

Liquid Cooled
Thru Mount
Nema-12

Solid-State Air Conditioner

FEATURES

- Standard 19" rack mount
- Weighs only 46 lbs. (21 kg)
- Ambient range 0°C to +70°C
- Available in 120 or 240 VAC
- Adaptable to NEMA-4 and explosion proof applications
- Can be mounted entirely inside purged enclosure
- No compressor, fluorocarbons or filters
- Virtually maintenance-free operation
- Stainless steel exterior housing
- Mounts in any orientation

INCLUDES

- Integral power supply
- Compression fittings
- Power cord

APPLICATIONS

Useful where ambient air can not be used for heat removal such as paper processing at paper mills, and abrasives processing plants.



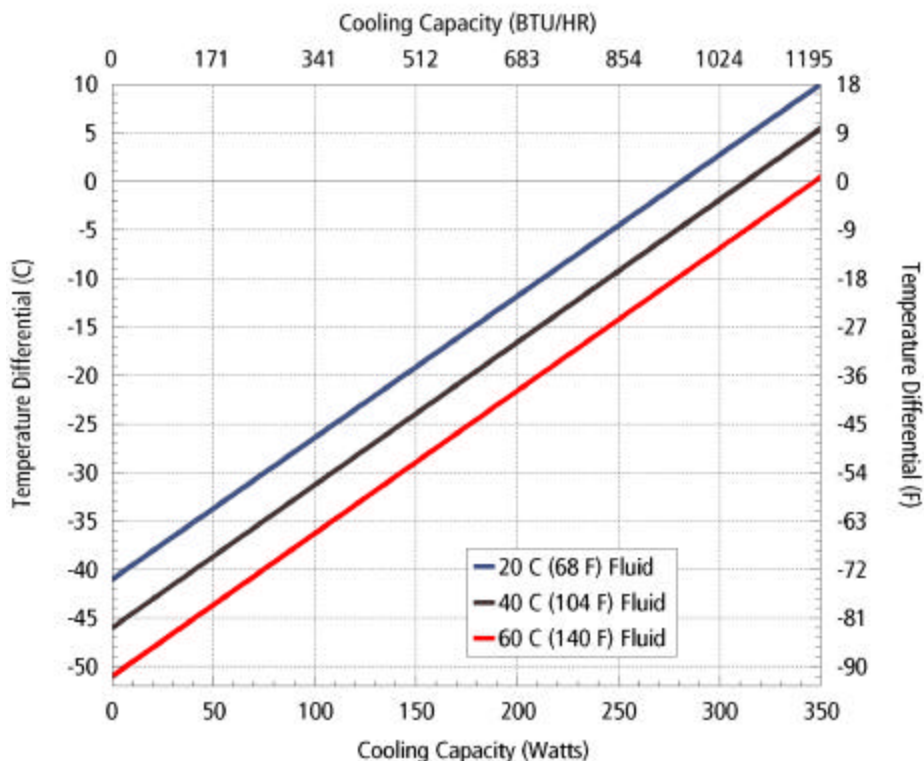
SPECIFICATIONS

MODEL	PART NUMBER	NOTES	PERFORMANCE RATING BTU/HR	VOLTAGE VAC 50/60 HZ	CURRENT AMPS.	Min Flow GPM	WEIGHT LBS. (kg)	TEMP. CONTROL *	OPERATING AMBIENT °C
LHP-1700FF	2-1090-0-000	Cool only	950-1180	120	7.0	0.3	46(21)	none	0/+70
LHP-1700FF	2-1080-0-000	Cool only	950-1180	120	7.0	0.3	46(21)	TC-6F	0/+70
LHP-1700FF	2-1050-0-000	Cool only	950-1180	120	7.0	0.3	46(21)	OPT*	0/+70
LHP-1700FFHC	2-1030-1-000	Heat/Cool	950-1180	120	7.0	0.3	46(21)	TC-3F	0/+70
LHP-1700FFHC	2-1050-1-000	Heat/Cool	950-1180	120	7.0	0.3	46(21)	OPT*	0/+70
LHP-1702FF	2-1092-0-000	Cool only	950-1180	240	4.7	0.3	46(21)	none	0/+70
LHP-1702FF	2-1082-0-000	Cool only	950-1180	240	4.7	0.3	46(21)	TC-6F	0/+70
LHP-1702FF	2-1052-0-000	Cool only	950-1180	240	4.7	0.3	46(21)	OPT*	0/+70
LHP-1702FFHC	2-1032-1-000	Heat/Cool	950-1180	240	4.7	0.3	46(21)	TC-3F	0/+70
LHP-1702FFHC	2-1052-1-000	Heat/Cool	950-1180	240	4.7	0.3	46(21)	OPT*	0/+70

*OPT; Unit is set up for TC-3300 controller (or similar)

LHP-1700FF

PERFORMANCE CURVE



Equation of line: $y = \Delta T(^{\circ}C)$ $x = \text{Capacity (Watts)}$			
Fluid Temp	20°C	40°C	60°C
Enclosure Air	$y = .147x - 41.0$	$y = .147x - 46.0$	$y = .147x - 51.0$
Cold Sink	$y = .11x - 41.0$	$y = .11x - 46.0$	$y = .11x - 51.0$

MOUNTING STYLE

Thru Mount

ENVIRONMENTS

Nema-12 IP 40 (maintains IP 52)

RATING (TRADITIONAL)

1050 BTU/hr @ 0 °F ΔT

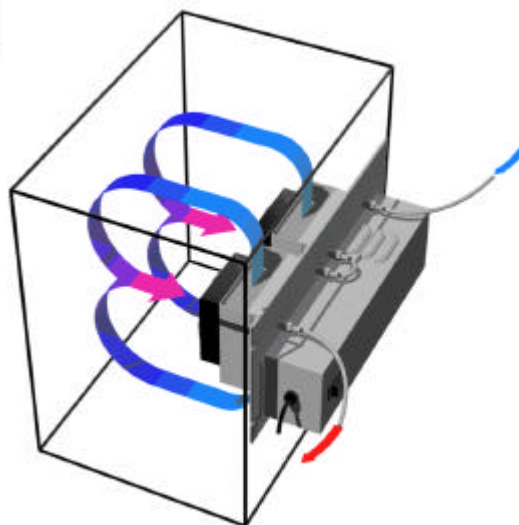
1320 BTU/hr @ +20 °F ΔT *

RATING (DIN 3168)

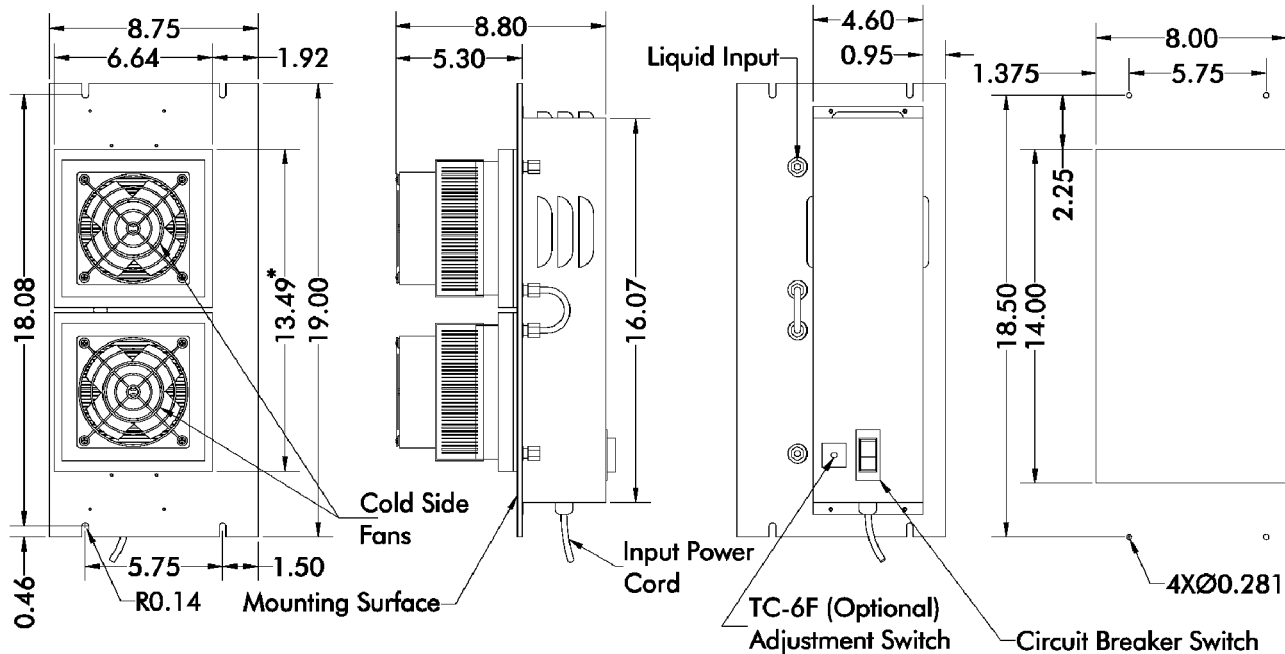
312 Watts L35 L35

225 Watts L35 L50

* See page 6



DIMENSIONS



* Dimension does not include hardware, insulation. Dimensions: inches.