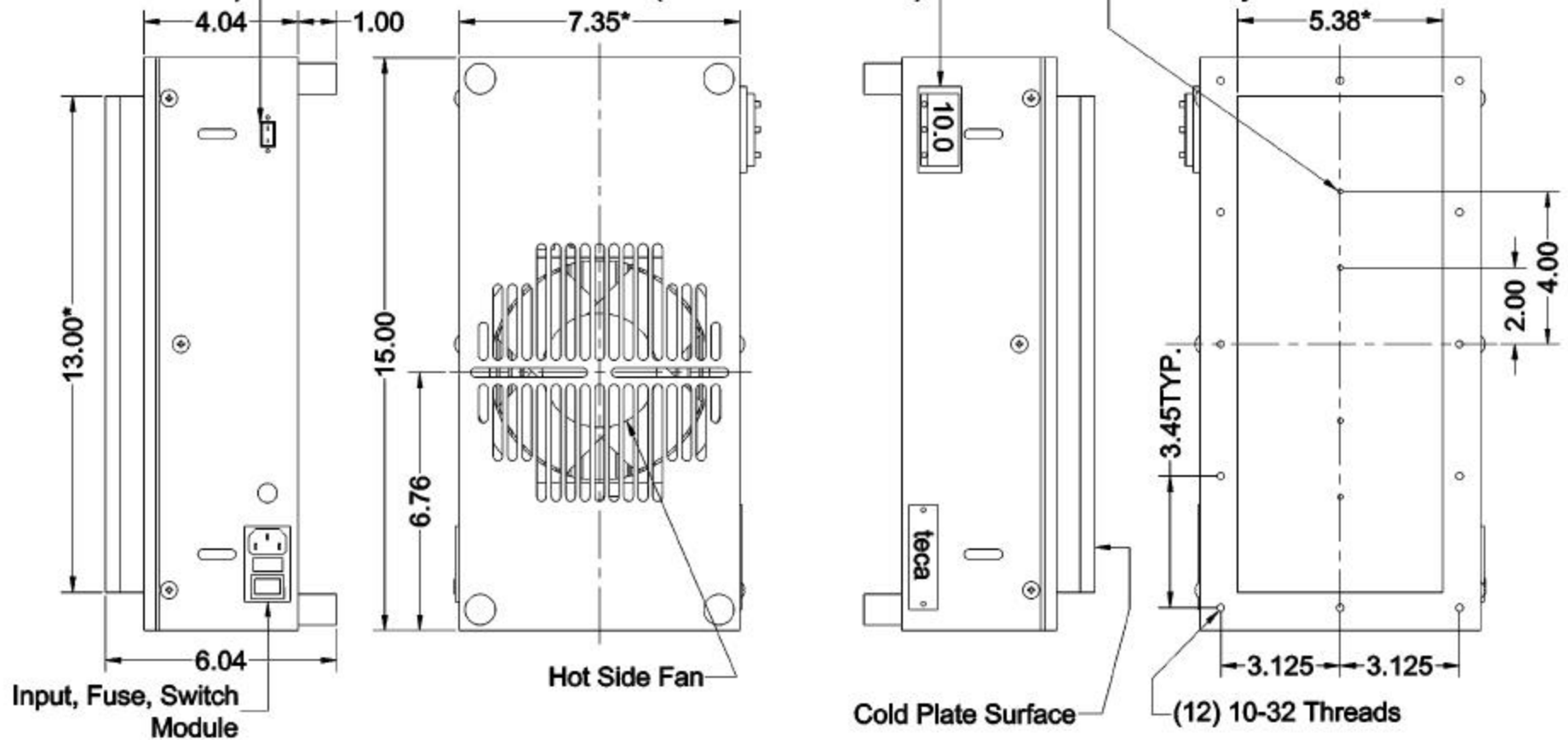


Thermocouple Connector
(with TC-3300 models)

Temperature Control
(with TC-3300 models)

(4) 6-32 X 0.25 DP
Accessory Holes



* Dimension does not include hardware, insulation.
Dimension: Inches

AHP-1200CP Dimensional drawing