

# AHP-1200CPV

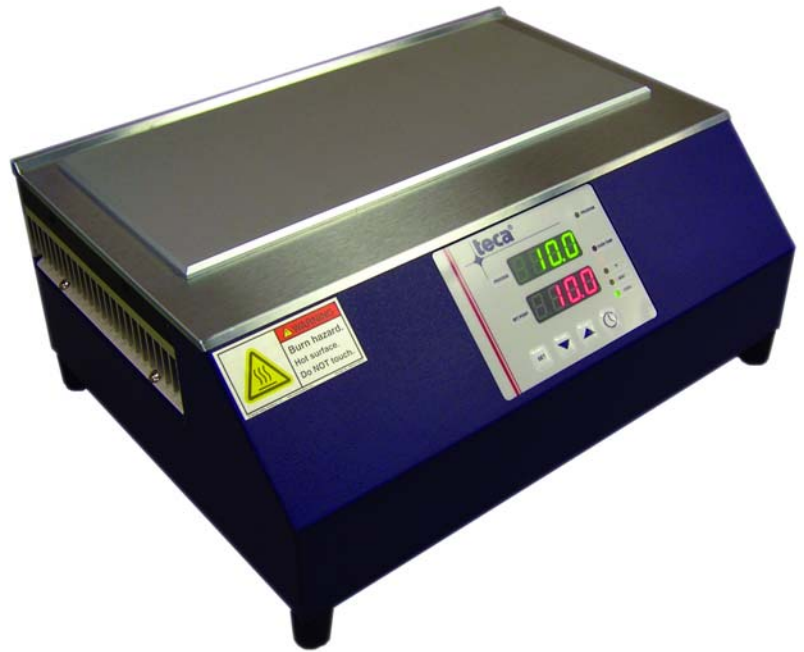
# Versatile Cold/Hot Plate

Air Cooled  
Bench Top

100-240 VAC Input

## FEATURES

- Precision machined cold plate surface
- Easy clean stainless steel top surface
- Cools and heats (TYP. -20 °C to 90 °C)
- 100-240 VAC universal input
- Low-profile design with ergonomic sloped front
- Variable fan speed for quieter operation
- Weighs only 25 lbs. (11.4 kg)
- Compact bench top unit, 11.2" X 15.1" footprint
- Virtually maintenance-free operation
- Painted Enameled stainless steel exterior housing
- Accessories for glassware (beaker/test tube) cooling
- Many options and accessories available see page 80



## CONTROL FEATURES

- Integral TC-4300 PID "tunable" temperature control
- One shot smart PID control tuning or Adaptive Smart Continuous Tuning
- EasyLog software for easy programming, tuning, charting and data acquisition
- Heating and Cooling
- Internal RTD sensor
- Remote Sensibility™ switchable exterior sensor
- Multi-segment ramp and soak programmable (4X8 or 2X16 or 1X32 segments)
- RS-232 communications

## SPECIFICATIONS

MODEL	PART NUMBER	NOTES	COLD PLATE	PERFORMANCE RATING BTU/HR	VOLTAGE VAC 50/60 HZ	CURRENT AMPS.	WEIGHT LBS. (KG)	TEMP. CONTROL	OPERATING AMBIENT °C
AHP-1200CPV	9-34EB-1-0A0	Standard	Smooth Surface	680-720	100-240	2.5	25 (11.4)	TC-4300	0-50
AHP-1200CPV	9-35EB-1-0A0	High capacity	Smooth Surface	780-840	100-240	3.5	25 (11.4)	TC-4300	0-50
AHP-1200CPV	9-34E5-1-0A0	Standard	Smooth Surface	680-720	24 VDC	9.0	25 (11.4)	TC-4300	0-50
AHP-1200CPV	9-35E5-1-0A0	High capacity	Smooth Surface	780-840	24 VDC	17	25 (11.4)	TC-4300	0-50
AHP-1200CPV	9-34EB-1-TAP	Standard	Tap Pattern	680-720	100-240	2.5	25 (11.4)	TC-4300	0-50
AHP-1200CPV	9-35EB-1-TAP	High capacity	Tap Pattern	780-840	100-240	3.5	25 (11.4)	TC-4300	0-50
AHP-1200CPV	9-34E5-1-TAP	Standard	Tap Pattern	680-720	24 VDC	9.0	25 (11.4)	TC-4300	0-50
AHP-1200CPV	9-35E5-1-TAP	High capacity	Tap Pattern	780-840	24 VDC	17	25 (11.4)	TC-4300	0-50
AHP-1200CPV	9-35EB-1-CAS*	High capacity for Cascades	Tap Pattern	780-840	100-240	4.0	25 (11.4)	TC-4300	0-50

\* This part number is ready for use with a low temperature cascade option and includes CH-1200 hinged cover, CC-1200 rear panel for cascade power up and control, refer to pages 80 and 81 for information on cascades and other available options.

# AHP-1200CPV

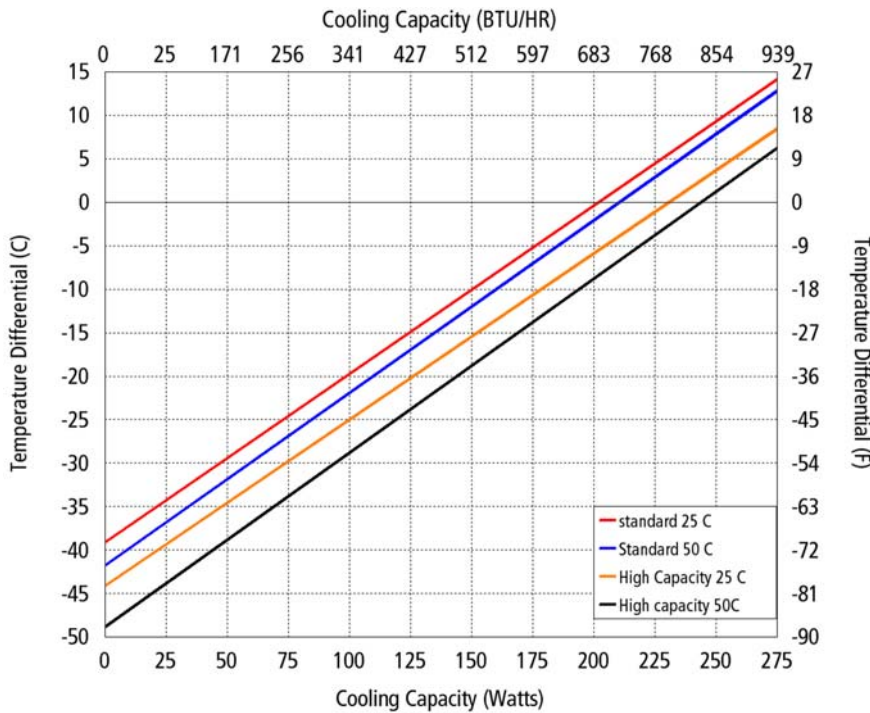
## ENVIRONMENTS

- Bench top
- Laboratory
- Industrial

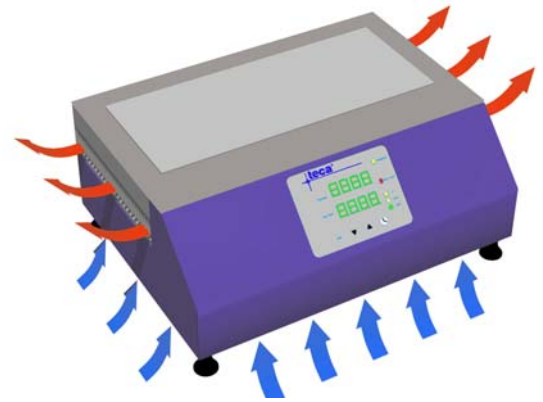
## COOLING CAPACITY

200 - 250 Watts @ 0 °C ΔT

## PERFORMANCE CURVE

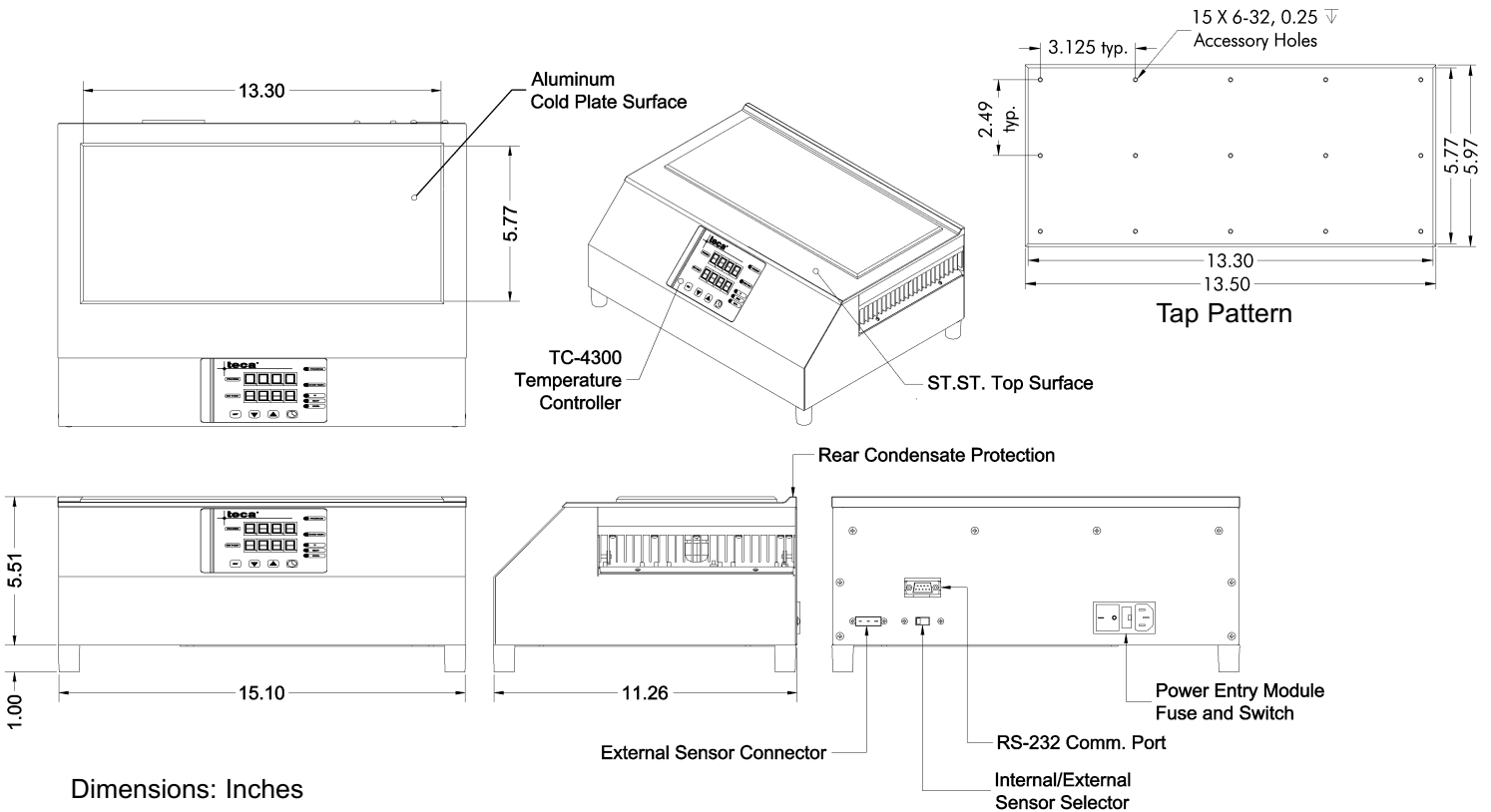


Equation of line: $y = \Delta T(^{\circ}C)$ $x = \text{Capacity (Watts)}$			
Ambient Temp	25°C	50°C	
Standard	$y = .195x - 39.1$	$y = .195x - 41.8$	
High capacity	$y = .185x - 44.9$	$y = .185x - 48.8$	



Ambient Air Path

## DIMENSIONS



Dimensions: Inches