

# AHP-1200 Air Conditioner

Air Cooled  
Thru Mount  
NEMA-12, 4,4X

24 VDC Input

## FEATURES

- Compact, (only 15" L X 7.35" W X 8.17" D)
- Weighs only 18 lbs. (8.2 kg)
- Excels in high ambient temperatures
- Environmentally safe
- Dual efficiency versions available
- No compressor, fluorocarbons or filters
- Virtually maintenance-free operation
- Stainless steel exterior housing
- Versions to withstand corrosive environments, shock and vibration
- Mounts and operates in any orientation

## INCLUDES

- Adjustable temperature control
- Gasket and mounting hardware
- Power input leads



## SPECIFICATIONS

	MODEL	PART NUMBER	NOTES	PERFORMANCE RATING BTU/HR	VOLTAGE VDC	RUNNING CURRENT AMPS.	WEIGHT LBS.(KG)	TEMP. CONTROL *	OPERATING AMBIENT °C	AGENCY APPROVALS (ETL)
NEMA 1	→ AHP-1200	0-3095-0-000	Cool only	512-580	24	9.0	18 (8.2)	NONE	-10/+70	PENDING
	AHP-1200	0-3085-0-000	Cool only	512-580	24	9.0	18 (8.2)	TC-6F	-10/+70	PENDING
2	AHP-1200	0-30F5-0-000	Cool only	512-580	24	9.0	18 (8.2)	85°F (30°)	-10/+70	PENDING
	AHP-1200	0-3055-0-000	Cool only	512-580	24	9.0	18 (8.2)	EXT*	-10/+70	PENDING
NEMA 4	AHP-1200HC	0-3035-1-000	Heat/Cool	512-580	24	9.0	18 (8.2)	TC-3F	-10/+70	PENDING
	→ AHP-1200HC	0-3055-1-000	Heat/Cool	512-580	24	9.0	18 (8.2)	EXT**	-10/+70	PENDING
X	→ AHP-1200XE	0-3095-4-000	Cool only	512-580	24	9.0	18 (8.2)	NONE	-28/+70	PENDING
	AHP-1200XE	0-3085-4-000	Cool only	512-580	24	9.0	18 (8.2)	TC-6F	-28/+70	PENDING
4	AHP-1200XE	0-30F5-4-000	Cool only	512-580	24	9.0	18 (8.2)	85°F (30°)	-28/+70	PENDING
	AHP-1200XE	0-3055-4-000	Cool only	512-580	24	9.0	18 (8.2)	EXT*	-28/+70	PENDING
X	AHP-1200XEHC	0-3035-5-000	Heat/Cool	512-580	24	9.0	18 (8.2)	TC-3F	-28/+70	PENDING
	AHP-1200XEHC	0-3055-5-000	Heat/Cool	512-580	24	9.0	18 (8.2)	EXT**	-28/+70	PENDING
X	AHP-1200X	0-3095-2-000	Cool only	512-580	24	9.0	18 (8.2)	NONE	-28/+70	PENDING
	AHP-1200X	0-3085-2-000	Cool only	512-580	24	9.0	18 (8.2)	TC-6F	-28/+70	PENDING
X	AHP-1200X	0-30F5-2-000	Cool only	512-580	24	9.0	18 (8.2)	85°F (30°)	-28/+70	PENDING
	AHP-1200X	0-3055-2-000	Cool only	512-580	24	9.0	18 (8.2)	EXT*	-28/+70	PENDING
X	AHP-1200XHC	0-3035-3-000	Heat/Cool	512-580	24	9.0	18 (8.2)	TC-3F	-28/+70	PENDING
	→ AHP-1200XHC	0-3055-3-000	Heat/Cool	512-580	24	9.0	18 (8.2)	EXT**	-28/+70	PENDING

\* Unit is set for 5-32 VDC external signal, relay(s) included

**For other voltages contact TECA**

\*\* Unit is set for 5-32 VDC external signal, H-Bridge relay(s) included

**For full shock and vibration model AHP-1200XM contact TECA**

# AHP-1200

## MOUNTING STYLE

Thru Mount

## ENVIRONMENTS

NEMA-12 IP 40 (maintains IP 52)

NEMA-4,4X IP 56

## RATING (TRADITIONAL)

530 BTU/hr @ 0 °F ΔT

670 BTU/hr @ +20 °F ΔT \*

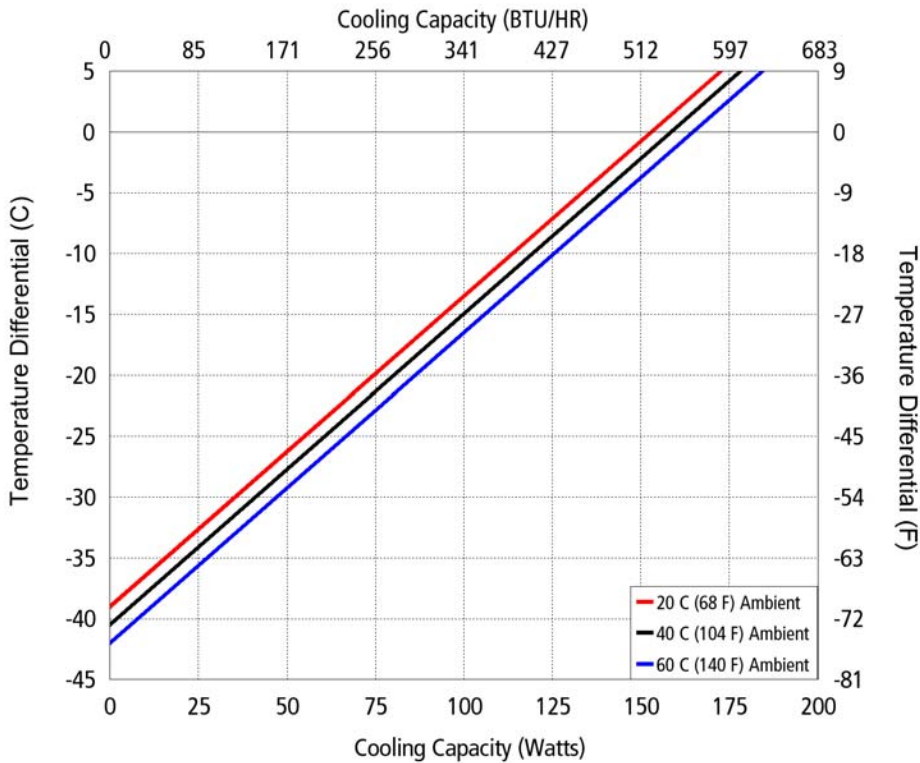
## RATING (DIN 3168)

154 Watts L35 L35

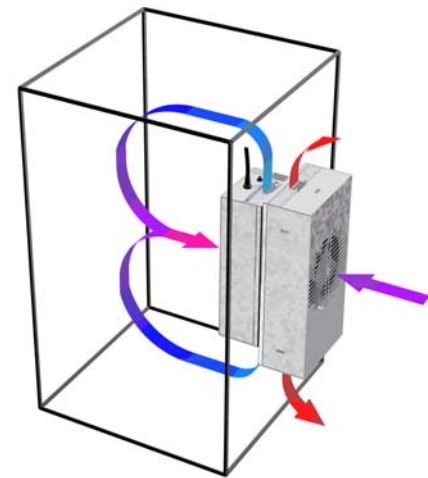
100 Watts L35 L50

\* See page 10

## PERFORMANCE CURVE

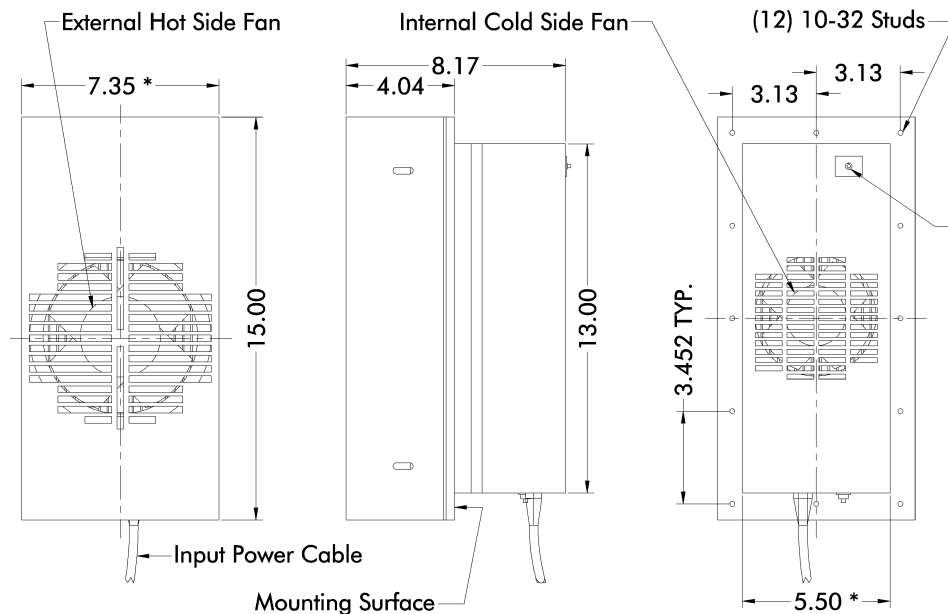


Equation of line: $y = \Delta T(^{\circ}C) \quad x = \text{Capacity (Watts)}$			
Ambient Temp	20°C	40°C	60°C
Enclosure Air	$y = .255x - 39.0$	$y = .255x - 41.0$	$y = .255x - 42.0$
Cold Sink	$y = .166x - 39.0$	$y = .166x - 41.0$	$y = .166x - 42.0$

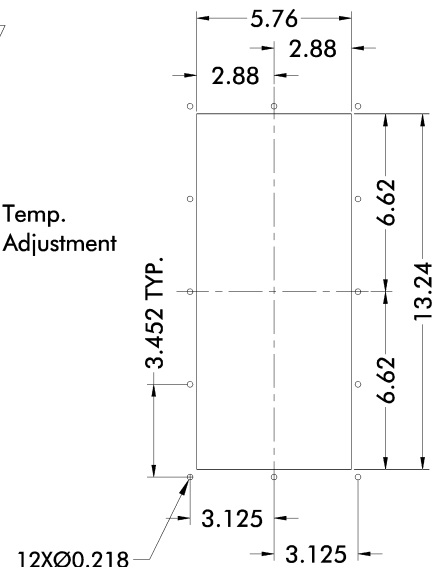


Air Flow Pattern

## DIMENSIONS



## MOUNTING CUTOUT DIMENSIONS



\* Dimension does not include hardware. Dimensions: Inches, Mounting hardware and gasket included but not shown.