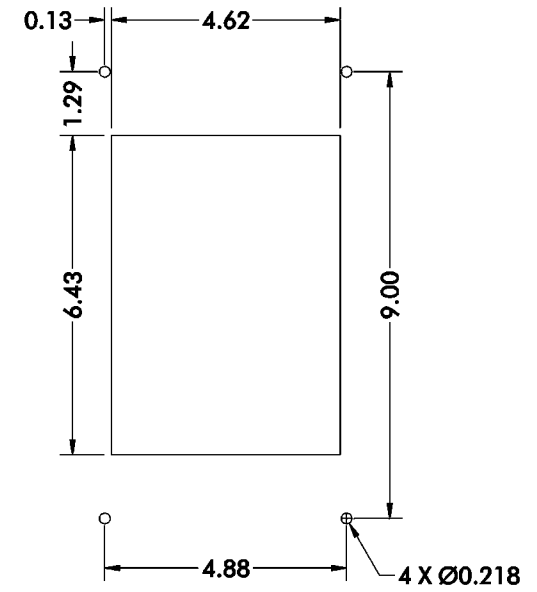


### MOUNTING CUTOUT DIMENSIONS



\* Dimension does not include hardware, insulation. Dimensions: Inches, Mounting hardware and gasket included but not shown.  
 † On all models of AHP-300X, these dimensions are greater by 0.25 inch.

(4) 10-32 Studs

AHP-300FF/XE/X Dimensional Drawing