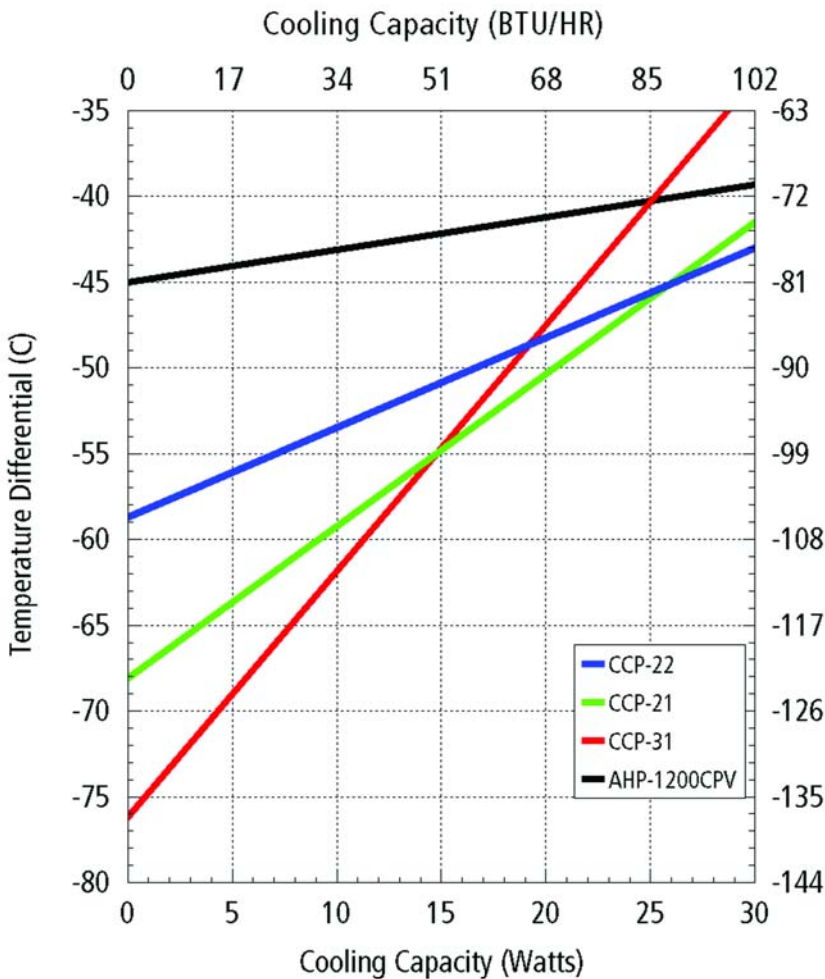


CPV Cascades

Cascades
Cascade Control

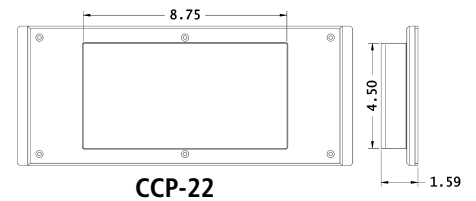
CASCADE PERFORMANCE CURVE



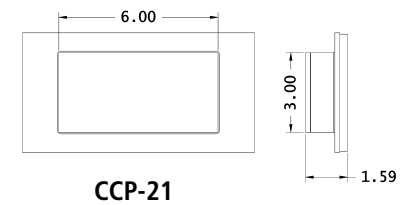
LOW TEMPERATURE CASCADES

One thermoelectric stacked on top of another with the goal of increasing the maximum temperature differential is a "cascade". These assemblies are mounted to model AHP-1200CPV cold plate to create 2 and 3 stage cascades. The performance curves shown are actual tests run under very well insulated conditions and active loads. The performance will vary with the degree of insulation, with the amount of the active load and with the ambient temperature.

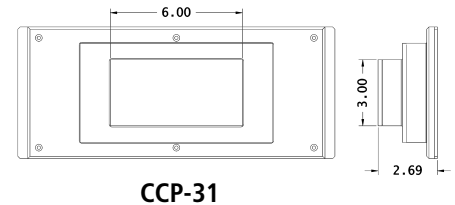
TWO STAGE - LARGE PLATE



TWO STAGE - SMALL PLATE



THREE STAGE



CASCADE CONTROL

Cascade Control is a rear panel or complete system which provides internal power and front panel temperature control for your cascade. It becomes part of your **AHP-1200CPV** whether you add it yourself or order it as a finished product which can be used as a normal CPV or with an optional cascade.

Part Number CC-1200: A back panel used to modify your existing high capacity **AHP-1200CPV** for cascade power and control. You will need to remove the existing rear panel and perform some minor wiring modifications.

Part Number 9-35EB-1-CAS: An **AHP-1200CPV** with all the options needed for cascade control. Those options include the back panel part # **CC-1200** and hinged cover part # **CH-1200**.

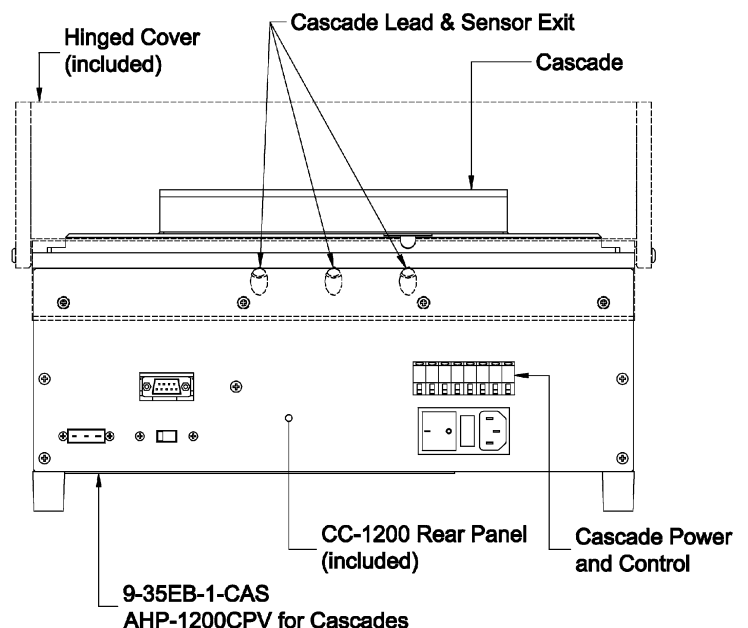
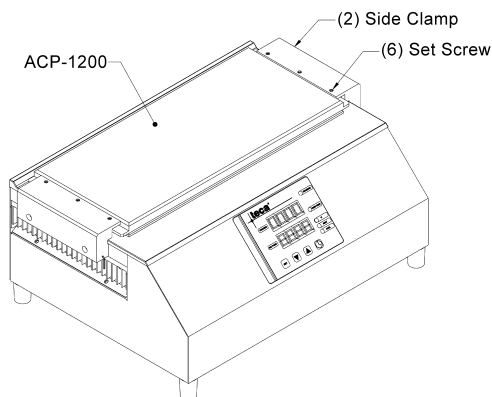


PLATE OPTIONS

ACCESSORY PLATES

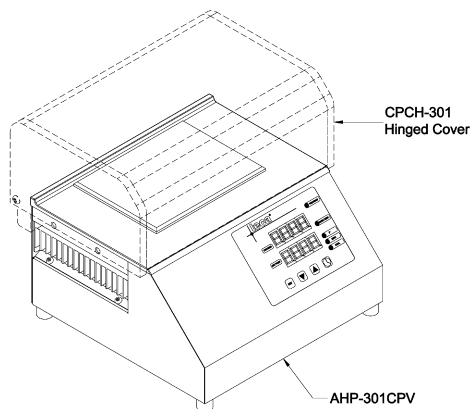
Clear anodized aluminum Feature Plates are clamped to CPV cold plates from the side. They come with the side clamps and are blank as shown below. Modify them to your needs, adding taps, grooves and other features. Swap different plates for different jobs. Use them as fixture plates.



ACP-1200 13.3 X 5.77 Surface
Contact TECA for more details.

ACP-301 6.2 X 4.7 Surface
Contact TECA for more details.

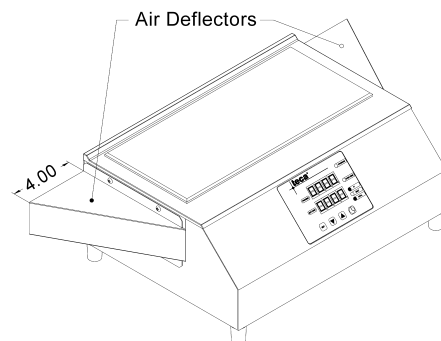
CLEAR COVERS



C-301 10 X 6.5 X 4 cover
CH-301 11 X 7.4 X 4 hinged cover
CN-301 cover for use with ACP-301
CHN-301 hinged cover for used with ACP-301

C-1200 15 X 8 X 5 cover
CH-1200 16 X 9.3 X 5 hinged cover
CN-1200 cover for use with ACP-1200
CHN-1200 hinged cover for used with ACP-1200

AIR DEFLECTOR



AD-1200
Fully reversible air deflector for AHP-1200CPV exhaust.

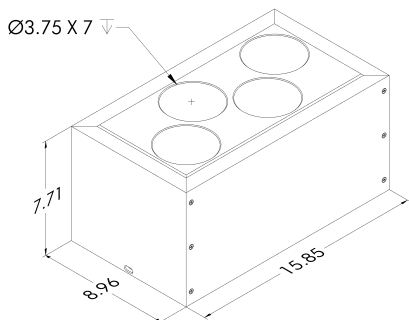
BARRIERS

Sized for a convenient fit around cold plates, tap plates and Pyrex plates combinations.

BH-301 14.2 X 6.7 X 0.375 cover
BH-1200 6.8 X 5.3 X 0.375 cover
H = height in inches (3, 6, 9 standard)
 Example: B6-1200

COLD WELL

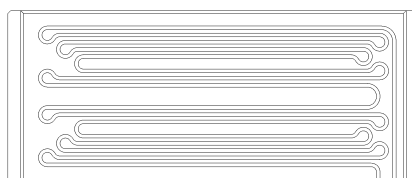
Used with 1000 mL Boston Round bottles.



CWB-01 Layered Aluminum cold well block for four 1 Liter bottles. PVC Insulation included.
For other configurations consult factory.

TUBE CHILLER

A Tube Chiller Plate has channels designed for specific size flexible tubing. When a fluid flows through the tubing it can be heated or cooled without introducing any type of contaminants. Temperature differentials vary with fluid flow rate and specific heat. On site evaluations recommended.



TC-1 Accessory plate with channels for 0.125" dia tubing. Other tubing diameters available.

TCC-1 Hinged cover for TC-1

PYREX PLATES

Borosilicate substrate used to protect cold plate surface from sharp instruments. these plates can be frozen in place or secured using GPC-1200 or GPC-301 clamps.

GP-1200 13.30 X 5.77 X 0.125
GP-301 6.00 X 4.50 X 0.125

INSULATION

Handy sized and easily cut pieces of closed cell polyethylene insulation.

INS-03 15" X 2" X 8" Use with AHP-1200CPV
INS-04 10" X 2" X 6" Use with AHP-301CPV

MISC. ACCESSORIES

RTD SENSOR

RTD-PROBE 100 Ω, 3 wire, platinum RTD 6" long, 1/8" diameter
RTD-RING 100 Ω, 3 wire, platinum RTD surface mount

CONVERTER

C-USB USB to RS-232 converter "includes adapter, cable and software"

CABLE

C-RS232 RS-232 Cable, DB9 Male to DB9 Female 10' long