

# Product Information Packet

## Model AHP-150FFHC

Solid State Air Conditioner Heat/Cool  
Reverse Polarity capable

Part #0-8098-1-001

Thank you for your purchase. Information has been enclosed regarding the installation, specifications, and wiring of your solid-state assembly. Please read and follow all instructions carefully before installation. Only qualified technicians should install this equipment.

If you have any questions regarding your equipment, please do not hesitate to call us at 773-342-4900, and we will be happy to assist you. We are open from 8:00 am-4:30 pm Central Time.

Included in this packet you will find:

Installation Notes for Air Conditioners

Product Literature and Specifications

Assembly Drawing # 151-A-A73

Wiring Drawing # 151-A-E28

Installation Drawing # 151-A-A74

Warranty Information

The logo for Teca, featuring the word "teca" in a bold, lowercase, sans-serif font. The letter "t" is stylized with a vertical line extending downwards from its stem.

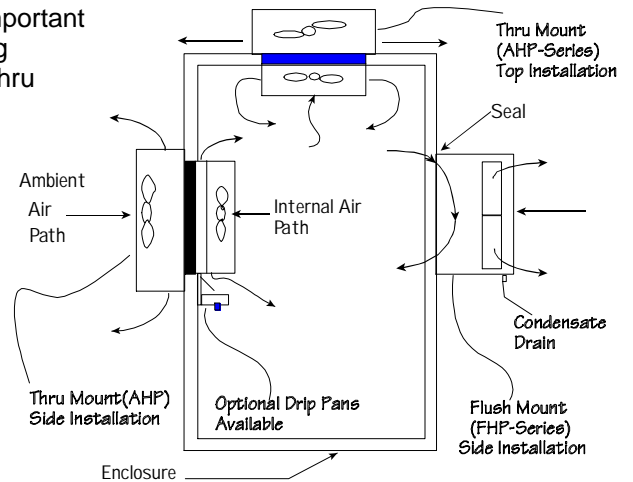
**ThermoElectric Cooling America Corporation**  
4048 W. Schubert Avenue • Chicago, IL (U.S.A.) 60639  
Ph: 773/342-4900 Fx: 773/342-0191  
sales@thermoelectric.com www.thermoelectric.com

# Important Installation Notes for Air

**Mounting Styles:** Both 'thru mount' and 'flush mount' units can be positioned in any orientation and on any enclosure surface. It is important to consider interior air flow patterns when determining the mounting location. Also of importance is an unrestricted flow of ambient air thru the hot side heat exchanger. Ease of access and inspection must be considered for those applications in particularly severe environments which may require occasional maintenance.

## Vertical (Side/Front/Back) Mounting:

Vertical mounting refers to the vertical direction of the cold side or interior fins and is recommended for applications with high humidity, poor and incomplete cabinet seals or any condition which may cause the cold side fins to be maintained at temperatures below the dew point for long periods of time allowing for the formation of condensation. The vertical fin direction provides a drip path whereupon condensation can be collected via a moisture removal system (standard on FHP-units) or a drip pan positioned below the cold side fins. Drip pans are optional for thru mount units.



## Condensate Removal System:

All FHP-Series and AHP-1400 air conditioners contain a built-in condensate removal system. The condensate kit consists of a antifungal sponge with a condensate wick. PVC tubing is also provided for drainage. Drip pans are optional for thru mount units which must be evaluated on an individual basis. Equations defining a relationship between the cold side fin and enclosure temperatures are provided to assist in the evaluation.

## Top Mounting:

Though often the easiest location to mount it is often the most difficult to protect from condensation in this orientation due to the fin orientation, gravity and any susceptible components below. If a drip pan is employed by the end user use caution to place the pan far enough away from the internal fan to minimize the restriction of air flow. The pan should cover the fin ends as well as the fan area. When there is a choice, the vertical orientation is preferred by most users.

## Maintenance:

Since the technology is solid-state, there are no filters, compressors, or fluorocarbons to maintain. The only moving parts are the fans. It is recommended for harsh or dirty environments that the heat sinks be cleaned from time to time. This can be accomplished by directing compressed air over the external fins or on NEMA 4 versions by hosing the unit down. This will increase the overall life and performance of the system.

## Cautions:

Take care when mounting not to damage the seal between the hot and cold side sinks. Do not attempt to mount a unit to a warped surface or try to make the units mounting surface conform to an unflat surface. Do not pinch or damage any leads when mounting. Do not over tighten any installation screw, use reasonable force. Always mount with any condensate drain down. Do not compress the cold side between the hot side and any other surface. Do not obstruct the airflow on either side. When mounting consider the natural air flows of the enclosure. Connect power only after the installation is complete.

## Notes on condensation:

Condensation occurs at the cold side fins when the surface temperature goes below the dew point. To reduce or remove condensate, consider the following:

- Regulate the Fin Temperature above the Dewpoint.
- Keep Enclosure Closed and Sealed from Outside Humidity.
- Use Desiccant (Moisture absorbing Granules.)
- Employ Condensate Removal System/Drip Pans.

If you have any questions regarding your installation, Please feel free to contact our technical department for assistance at 773-342-4900.

# AHP-150FF Air Conditioner

Air Cooled  
Thru Mount  
NEMA-12  
NEMA-4

General Purpose VDC Input

## FEATURES

- Compact (only 7" L X 5" W X 6.02" D)
- Weighs only 3.2 lbs. (1.5 kg)
- Ambient range -10°C to +70°C
- No compressor, fluorocarbons or filters
- Virtually maintenance-free operation
- Mounts in any orientation

## INCLUDES

- Mounting gasket
- Hook-up leads
- Mounting Hardware

## OPTIONS

- Temperature control TC-6F DC for cool only
- Temperature control TC-3F DC for heat/cool
- Temperature Control TC-3500 for heat/cool reverse polarity
- Adaptable for TC-3300 and TC-4300 controller



## SPECIFICATIONS

	MODEL	PART NUMBER	NOTES	PERFORMANCE RATING	VOLTAGE VDC BTU/HR	CURRENT AMPS. *	WEIGHT LBS.(KG)	TEMP. CONTROL	OPERATING AMBIENT °C
N 12	AHP-150FF	0-8098-0-000	Cool only	90-105	12/24	6/3	3.2(1.5)	none	-10/+70
	AHP-150FFHC	0-8094-1-000	Heat/Cool	90-105	12	6	3.2(1.5)	none	-10/+70
	AHP-150FFHC	0-8095-1-000	Heat/Cool	90-105	24	3	3.2(1.5)	none	-10/+70
N 4	AHP-150FFHC	0-8098-1-001	Heat/Cool rev. pol.	90-105	12/24	6/3	3.2(1.5)	none*	-10/+70
	AHP-150XE	0-8094-4-000	Cool only	90-105	12	6	3.2(1.5)	none	-10/+70
	AHP-150XEHC	0-8094-5-000	Heat/Cool	90-105	12	6	3.2(1.5)	none	-10/+70
	AHP-150XEHC	0-8094-5-001	Heat/Cool rev. pol.	90-105	12	6	3.2(1.5)	none*	-10/+70

\* Reverse polarity unit can be used with external TC-3500 controller see P. 112

See also , "Power Supplies", P. 117

# AHP-150FF

## MOUNTING STYLE

Thru Mount

## ENVIRONMENTS

NEMA-12 IP 40 (maintains IP 52)

NEMA-4,4X IP 54

## RATING (TRADITIONAL)

100 BTU/hr @ 0 °F ΔT

123 BTU/hr @ +20 °F ΔT \*

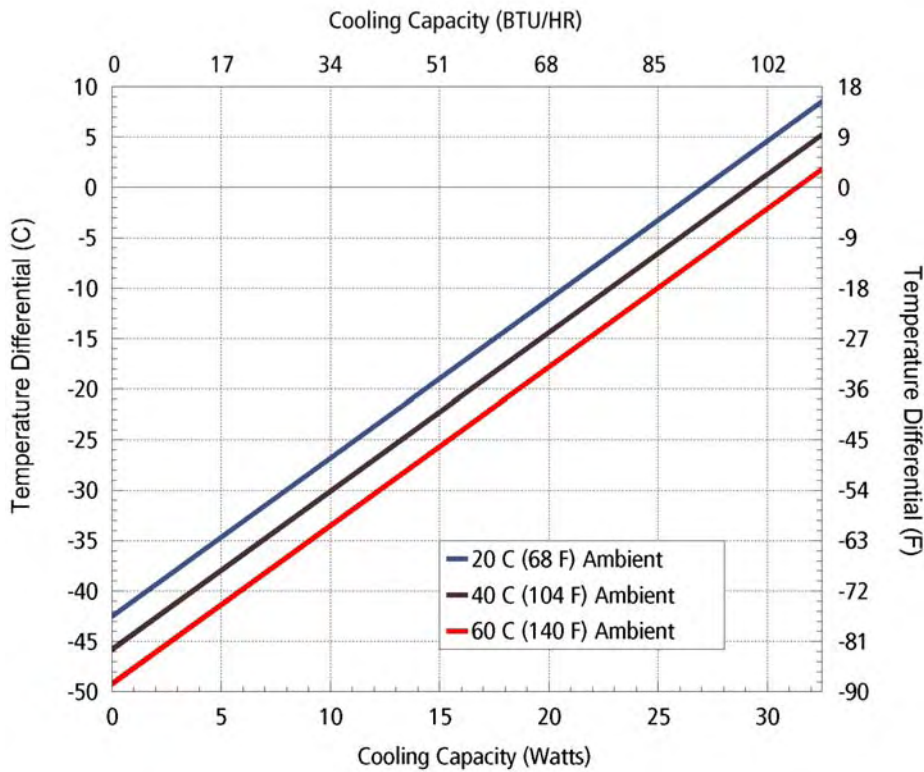
## RATING (DIN 3168)

29 Watts L35 L35

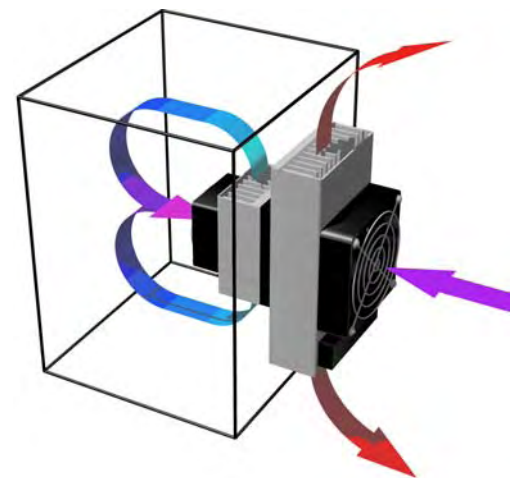
21 Watts L35 L50

\* See page 10

## PERFORMANCE CURVE

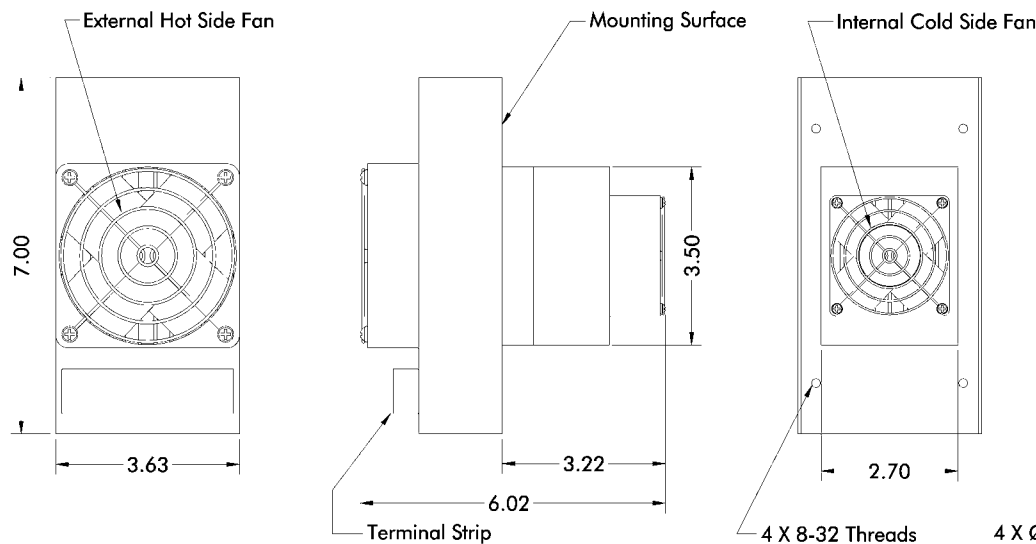


Equation of line: $y = \Delta T(^{\circ}C)$ $x = \text{Capacity (Watts)}$			
Ambient Temp	20°C	40°C	60°C
Enclosure Air	$y = 1.57x - 42.5$	$y = 1.57x - 45.8$	$y = 1.57x - 49.2$
Cold Sink	$y = 1.24x - 42.5$	$y = 1.24x - 45.8$	$y = 1.24x - 49.2$

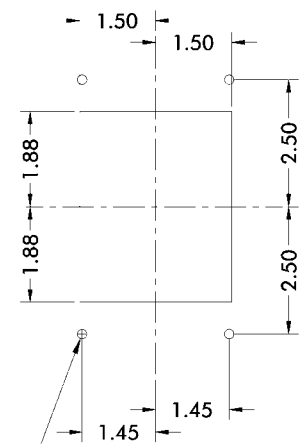


Air Flow Pattern

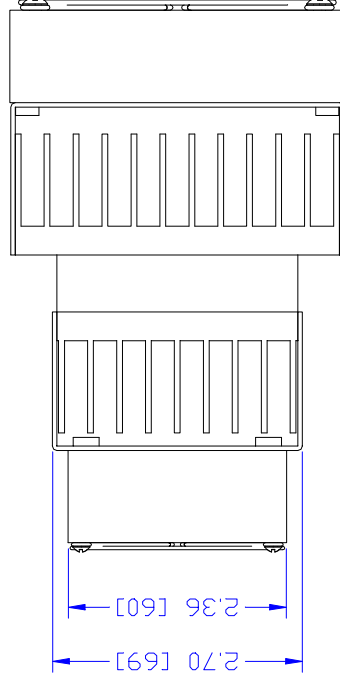
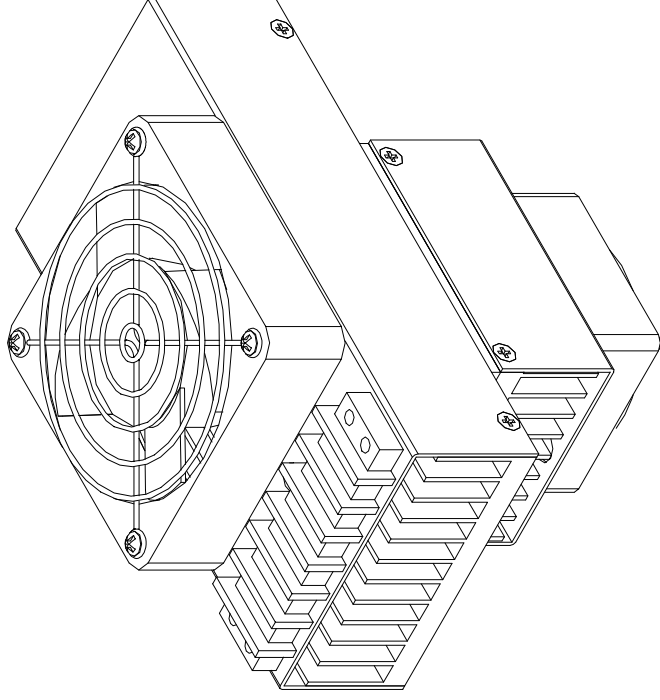
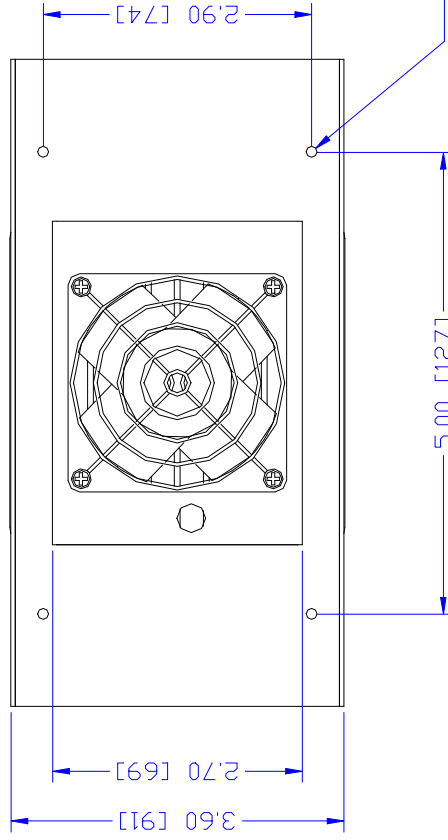
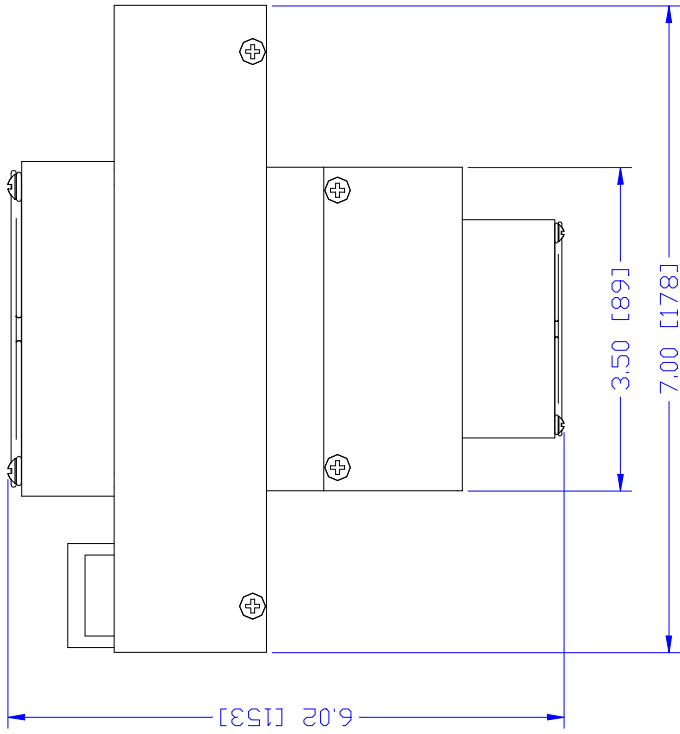
## DIMENSIONS



## MOUNTING CUTOUT DIMENSIONS



\* Dimension does not include hardware, insulation. Dimensions: Inches, Hardware and gasket included but not shown.



Note:  
Dimensions Inches [Millimeters]

4 X 8-32 Threads

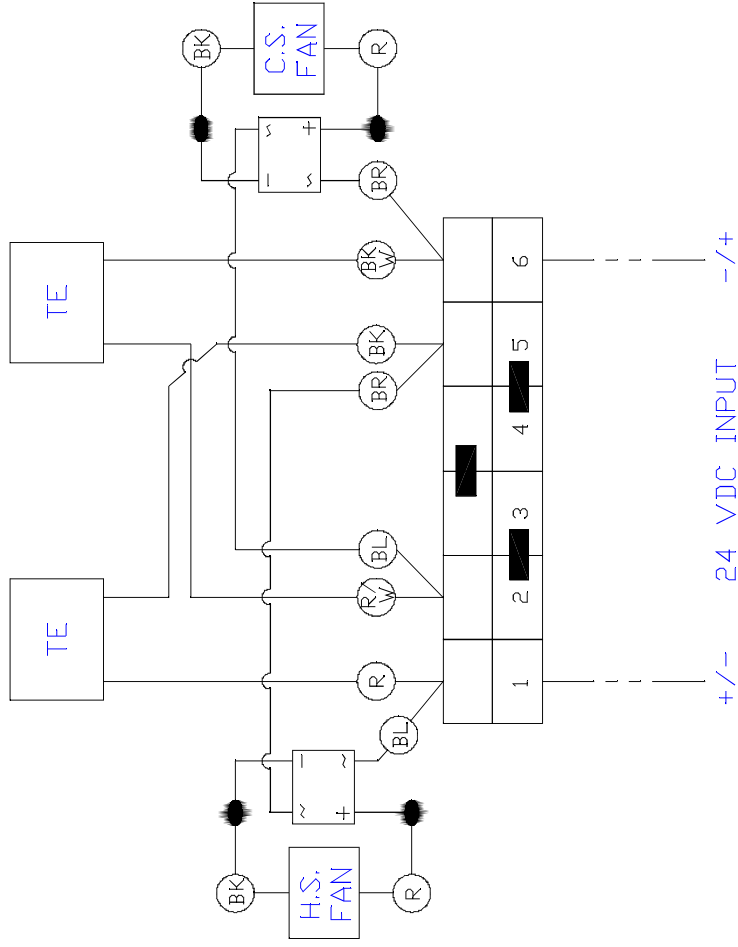
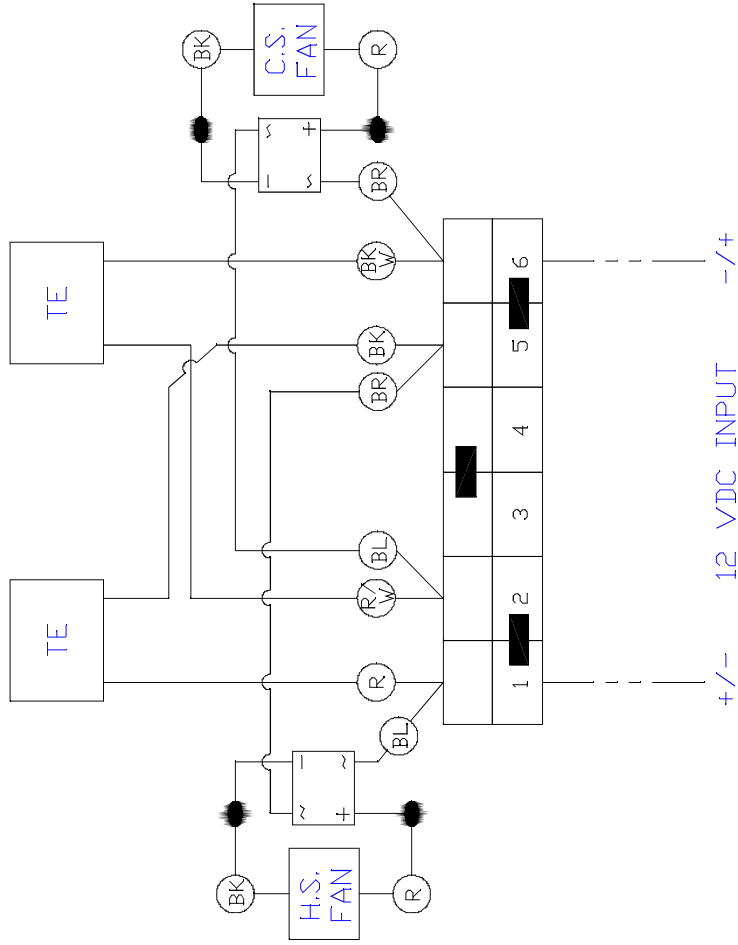
INFORMATION DISCLOSED  
HEREIN IS THE  
CONFIDENTIAL PROPERTY  
OF TECA CORP. RECIPIENT  
SHALL NOT USE THE  
INFORMATION IN ANY  
UNAUTHORIZED MANNER.  
FINISH:

UNLESS OTHERWISE SPECIFIED  
DIMENSIONS ARE IN INCHES  
TOLERANCES ARE:  
DECIMALS .XX +/-  
.XXX +/-  
ANGLE +/-  
FRACTION +/-

MATERIAL:

<b>THEMOLECTRIC COOLING AMERICA CORP.</b>	
AHP-150FF SERIES ASSEMBLY	
DRAWN BY: AA	DRAWING #
DATE: 06/16/05	151-A-A73
D6476	SCALE
MASTER: MASTER	REV LEVEL
SHEET	SHEET

REV	DESCRIPTION	Date	APPROVED



Unit is factory wired 12 VDC operations

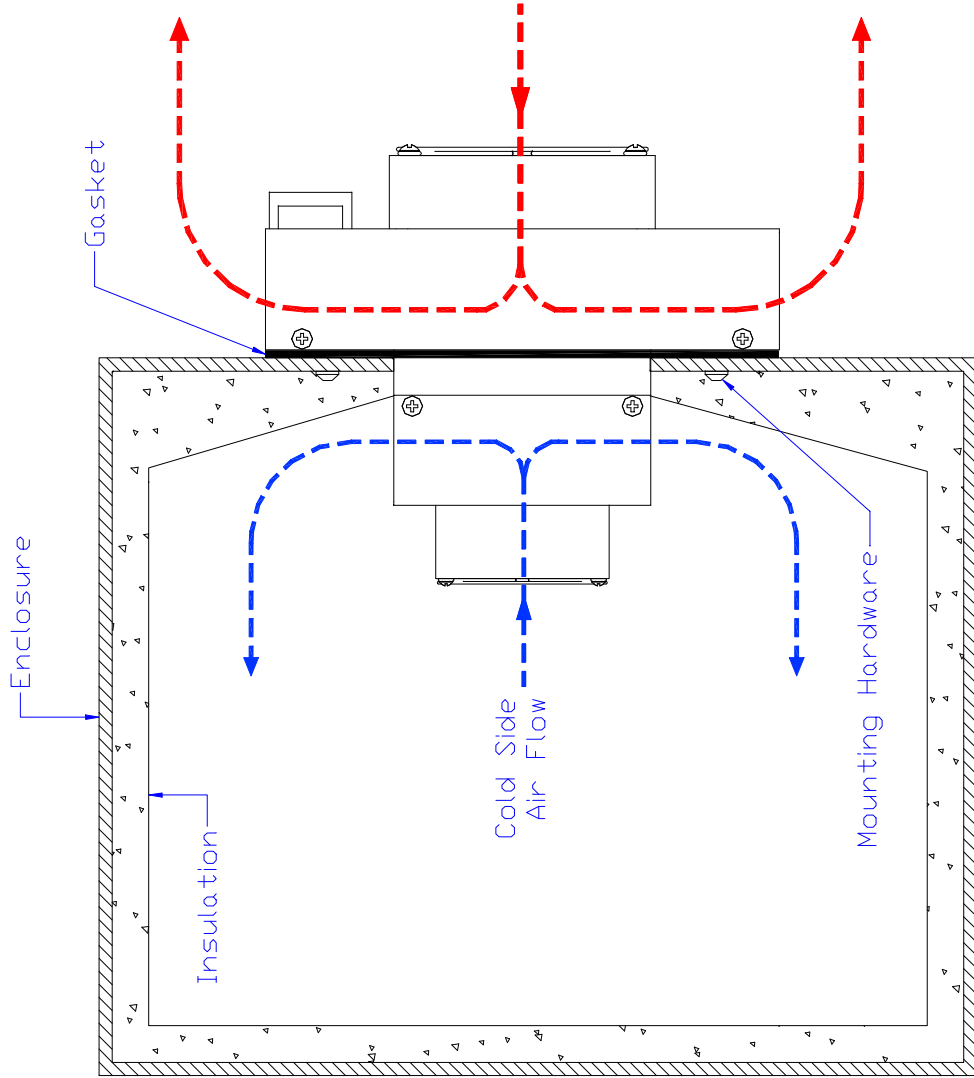
INFORMATION DISCLOSED  
HEREIN IS THE  
CONFIDENTIAL PROPERTY  
OF TECA CORP. RECIPIENT  
SHALL NOT USE THE  
INFORMATION IN ANY  
UNAUTHORIZED MANNER.  
FINISH:

UNLESS OTHERWISE SPECIFIED  
DIMENSIONS ARE IN INCHES  
TOLERANCES ARE:  
DECIMALS .XX +/-  
FRACTION XXX+/-  
ANGLE +/-  
MATERIAL:

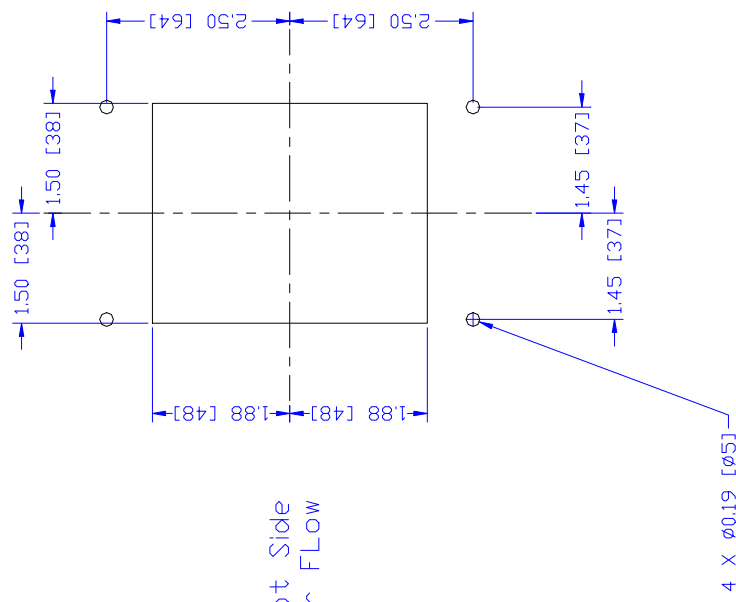
**THERMOELECTRIC COOLING AMERICA CORP.**  
AHP-150FFHC REVERSE POLARITY CAPABLE  
WIRING DIAGRAM

REV	DESCRIPTION	Date	APPROVED
-----	-------------	------	----------

DRAWN BY: AA	DRAWING #	REV LEVEL
DATE: 05/27/09	151-A-E28	
D7574	SCALE	SHEET
	MASTER: 151-A-A77	



MOUNTING CUTOUT DIMENSIONS



Note:  
Dimensions Inches [Millimeters]

INFORMATION DISCLOSED HEREIN IS THE CONFIDENTIAL PROPERTY OF TECA CORP. RECIPIENT SHALL NOT USE THE INFORMATION IN ANY UNAUTHORIZED MANNER. FINISH:	UNLESS OTHERWISE SPECIFIED DIMENSIONS ARE IN INCHES TOLERANCES ARE: DECIMALS      ANGLE      +/-1" .XX +/- .015      FRACTION      +/-1/32 .XXX +/- .005      MATERIAL:		
	THERMOELECTRIC COOLING AMERICA CORP. AHP-150FF SERIES FIELD MOUNTING	DRAWN BY: AA DATE: 06/16/05 D6477	DRAWING # 151-A-A74 SCALE MASTER: 151-A-A73
REV	DESCRIPTION	Date	APPROVED
			REV LEVEL SHEET

## LIMITED WARRANTY

In the event a defect in material or workmanship is discovered in any of TECA's products within one year after the date they are delivered to Buyer, and if: (a) TECA is notified of the defect in writing by certified mail within 14 days of the date of discovery; (b) TECA may then either, at its sole discretion, inspect the product at Buyer's location, or require that the product be made available at Buyer's expense at TECA's premises for TECA's inspection within 14 days of the date of notification; and (c ) the products are defective and the defects result from faulty materials and/or workmanship and not in any way from accident, misuse, misapplication, mishandling, modification, or alteration by the Buyer or the shipper, then TECA shall, at its sole option, repair or exchange defective products free of charge to Buyer, or credit to buyer the price of the defective products. ALL OTHER WARRANTIES, EXPRESS OR IMPLIED, ARE EXCLUDED, INCLUDING BUT NOT LIMITED TO THE IMPLIED WARRANTIES OF MERCHANTABILITY AND FITNESS FOR A PARTICULAR PURPOSE. IN NO EVENT SHALL TECA BE LIABLE FOR ANY CLAIM BASED UPON BREACH OF EXPRESS OR IMPLIED WARRANTY OR ANY OTHER DAMAGES WHETHER SPECIAL, INDIRECT, INCIDENTAL, CONSEQUENTIAL, LOST PROFITS, BUSINESS INTERRUPTION, OR LOSS OF BUSINESS OR CUSTOMER RELATIONSHIPS.

## RETURNED GOODS, RESTOCKING CHARGES

In order to return merchandise for any reason ( repair, replacement, or credit) a return authorization number must be issued by TECA. New merchandise may not be returned for credit beyond 60 days from shipment. Charges for incidental or other damages may also be made. All returned goods must be sent freight prepaid. A restocking charge of 15% will apply. On special equipment and custom modified equipment orders, additional incremental cancellation charges may be made.