

Product Information Packet

Model AHP-401HC

120 VAC Solid State Heat/Cool Air Conditioner

With TC-7F Temperature Control

Part #0-F010-1-000

Thank you for your purchase. Information has been enclosed regarding the installation, specifications, and wiring of your solid-state assembly. Please read and follow all instructions carefully before installation. Only qualified technicians should install this equipment.

If you have any questions regarding your equipment, please do not hesitate to call us at 773-342-4900, and we will be happy to assist you. We are open from 8:00 am-4:30 pm Central Time.

Included in this packet you will find:

Product Literature and Specifications

Assembly Drawing # SK110821

Wiring Drawing # SK110512

Installation Drawing # SK110823

Warranty Information

The logo for Teca, featuring the word "teca" in a bold, lowercase, sans-serif font. The letter "t" is stylized with a vertical line extending upwards from its stem.

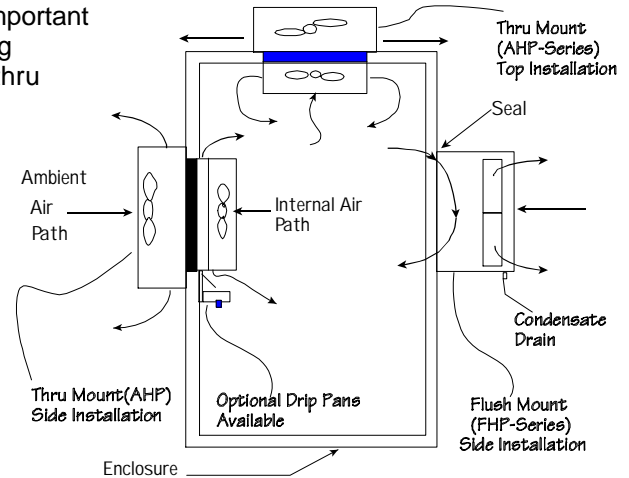
ThermoElectric Cooling America Corporation
4048 W. Schubert Avenue • Chicago, IL (U.S.A.) 60639
Ph: 773/342-4900 Fx: 773/342-0191
sales@thermoelectric.com www.thermoelectric.com

Important Installation Notes for Air

Mounting Styles: Both 'thru mount' and 'flush mount' units can be positioned in any orientation and on any enclosure surface. It is important to consider interior air flow patterns when determining the mounting location. Also of importance is an unrestricted flow of ambient air thru the hot side heat exchanger. Ease of access and inspection must be considered for those applications in particularly severe environments which may require occasional maintenance.

Vertical (Side/Front/Back) Mounting:

Vertical mounting refers to the vertical direction of the cold side or interior fins and is recommended for applications with high humidity, poor and incomplete cabinet seals or any condition which may cause the cold side fins to be maintained at temperatures below the dew point for long periods of time allowing for the formation of condensation. The vertical fin direction provides a drip path whereupon condensation can be collected via a moisture removal system (standard on FHP-units) or a drip pan positioned below the cold side fins. Drip pans are optional for thru mount units.



Condensate Removal System:

All FHP-Series and AHP-1400 air conditioners contain a built-in condensate removal system. The condensate kit consists of a antifungal sponge with a condensate wick. PVC tubing is also provided for drainage. Drip pans are optional for thru mount units which must be evaluated on an individual basis. Equations defining a relationship between the cold side fin and enclosure temperatures are provided to assist in the evaluation.

Top Mounting:

Though often the easiest location to mount it is often the most difficult to protect from condensation in this orientation due to the fin orientation, gravity and any susceptible components below. If a drip pan is employed by the end user use caution to place the pan far enough away from the internal fan to minimize the restriction of air flow. The pan should cover the fin ends as well as the fan area. When there is a choice, the vertical orientation is preferred by most users.

Maintenance:

Since the technology is solid-state, there are no filters, compressors, or fluorocarbons to maintain. The only moving parts are the fans. It is recommended for harsh or dirty environments that the heat sinks be cleaned from time to time. This can be accomplished by directing compressed air over the external fins or on NEMA 4 versions by hosing the unit down. This will increase the overall life and performance of the system.

Cautions:

Take care when mounting not to damage the seal between the hot and cold side sinks. Do not attempt to mount a unit to a warped surface or try to make the units mounting surface conform to an unflat surface. Do not pinch or damage any leads when mounting. Do not over tighten any installation screw, use reasonable force. Always mount with any condensate drain down. Do not compress the cold side between the hot side and any other surface. Do not obstruct the airflow on either side. When mounting consider the natural air flows of the enclosure. Connect power only after the installation is complete.

Notes on condensation:

Condensation occurs at the cold side fins when the surface temperature goes below the dew point. To reduce or remove condensate, consider the following:

- Regulate the Fin Temperature above the Dewpoint.
- Keep Enclosure Closed and Sealed from Outside Humidity.
- Use Desiccant (Moisture absorbing Granules.)
- Employ Condensate Removal System/Drip Pans.

If you have any questions regarding your installation, Please feel free to contact our technical department for assistance at 773-342-4900.

AHP-401

Air Conditioner Series

Air Cooled
Thru Mount
Nema-12

120/240 VAC

FEATURES

- Compact (only 10" X 5.84" X 8.78")
- Weighs approximately 16 lbs. (7.3 kg)
- Mounts and operates in any orientation: horizontal, vertical, etc.
- Low vibration and noise
- No moving parts except fans
- Environmentally safe
- Dual voltage
- No compressor, fluorocarbons or filters
- Virtually maintenance-free operation
- Stainless steel exterior housing
- Efficient heat exchanger mode



INCLUDES

- Integral power supply 120/240 VAC
- Gasket and mounting hardware
- Temperature Control

OPTIONS

- Internal mounting
- Custom finishes or no cover

SPECIFICATIONS

MODEL	PART NUMBER	NOTES	PERFORMANCE RATING BTU/HR	VOLTAGE VAC 50/60HZ	CURRENT AMPS.	WEIGHT LBS.(KG)	TEMP. CONTROL	OPERATING AMBIENT TEMPERATURE RANGE °C	OPERATING ENCLOSURE TEMPERATURE RANGE °C
AHP-401	0-F090-0-000	Cool only	359-445	120	1.3	16(7.3)	None	-10/+70	-10/+60
AHP-401	0-F0F0-0-000	Cool only	359-445	120	1.3	16(7.3)	85°F (30°C)	-40/+70	-10/+60
AHP-401	0-F050-0-000	Cool only	359-445	120	1.3	16(7.3)	EXT*	-40/+70	-10/+60
AHP-401HC	0-F0I0-1-000	Heat/Cool	359-445	120	1.3	16(7.3)	TC-7F	-40/+70	-10/+60
AHP-402	0-F092-0-000	Cool only	359-445	240	0.71	16(7.3)	None	-10/+70	-10/+60
AHP-402	0-F0F2-0-000	Cool only	359-445	240	0.71	16(7.3)	85°F (30°C)	-40/+70	-10/+60
AHP-402	0-F052-0-000	Cool only	359-445	240	0.71	16(7.3)	EXT*	-40/+70	-10/+60
AHP-402HC	0-F0I2-1-000	Heat/Cool	359-445	240	0.71	16(7.3)	TC-7F	-40/+70	-10/+60

* Unit is set for 5-32 VDC external signal, relay(s) included

NEMA 12

AHP-401

MOUNTING STYLE

Thru Mount

ENVIRONMENTS SERVED

NEMA-12 IP 52

RATING (TRADITIONAL)

342 BTU/hr @ 0 °F ΔT

486 BTU/hr @ +20 °F ΔT

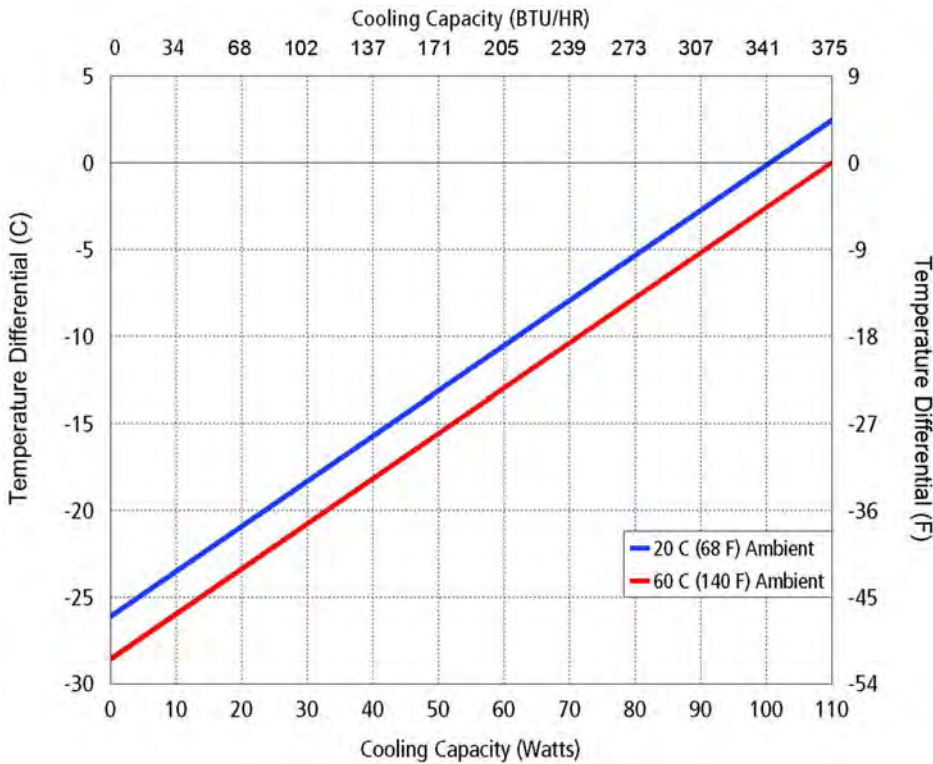
RATING (DIN 3168)

102 Watts L35 L35

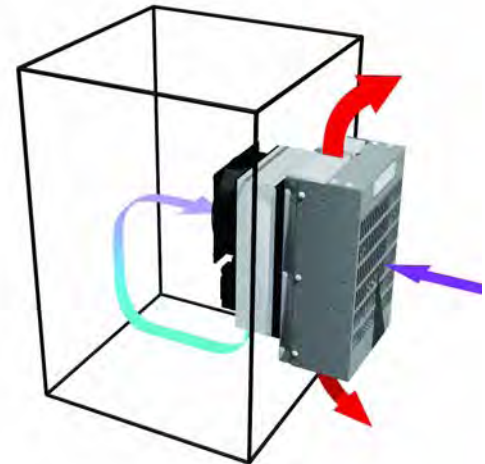
50 Watts L35 L50

* See page 10

PERFORMANCE CURVE

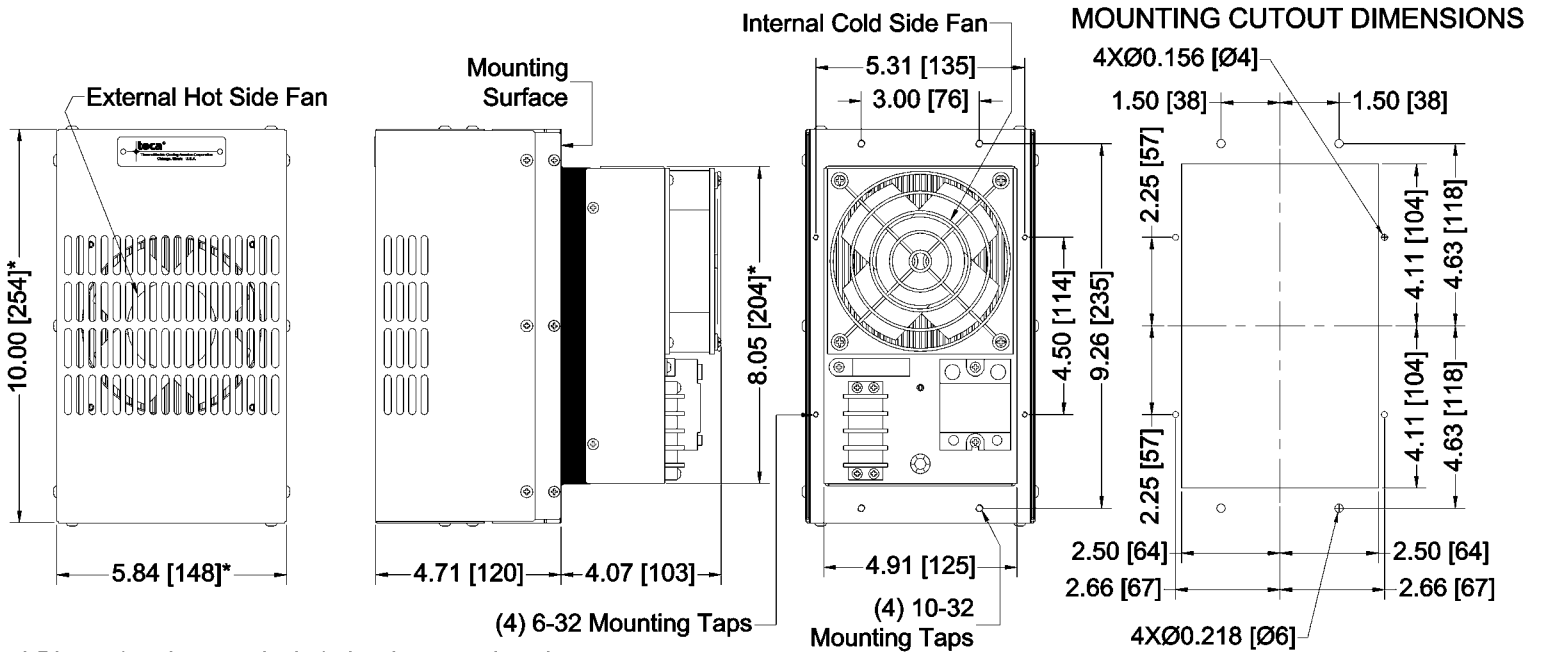


Equation of Line: $y = \Delta T(^{\circ}C)$ $x = \text{Capacity (Watts)}$		
Ambient Temp	20°C	60°C
Enclosure Air	$y = .26x - 26.1$	$y = .26x - 28.6$



Air Flow Pattern

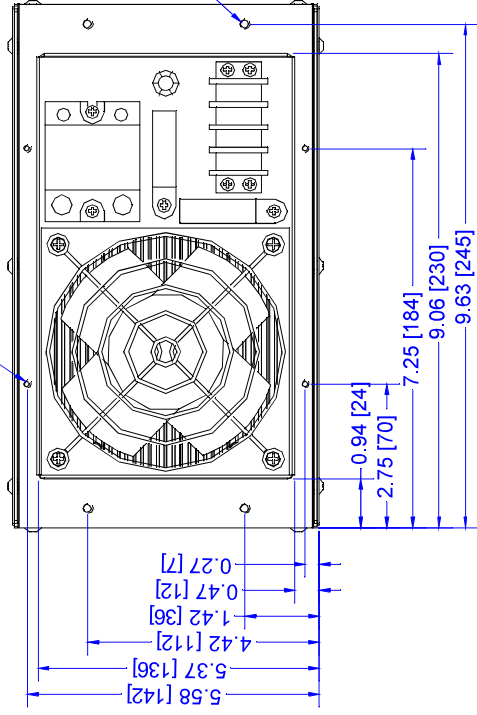
DIMENSIONS



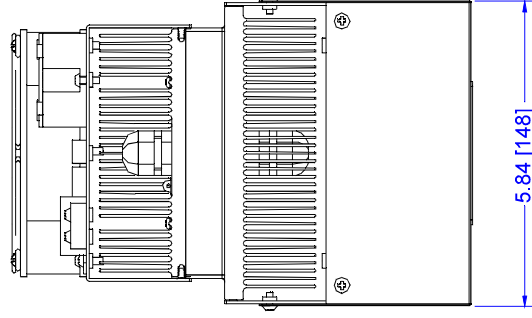
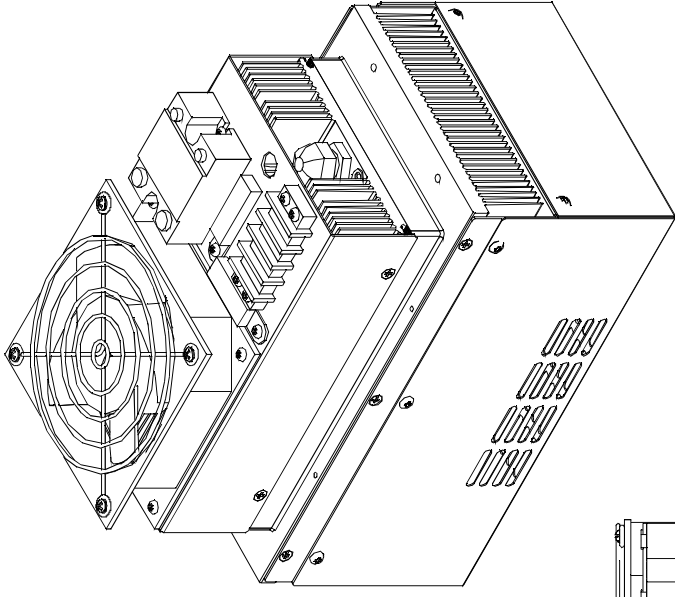
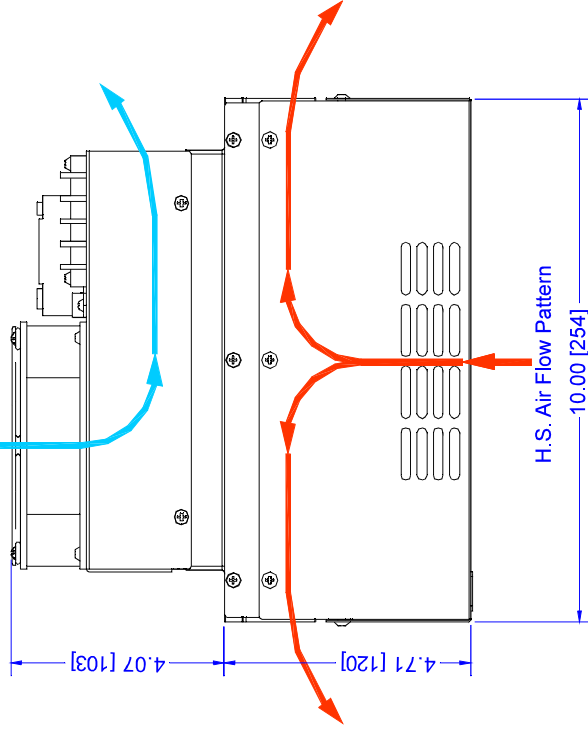
* Dimension does not include hardware and sealant.
 Mounting hardware and gasket included but not shown.
 Dimensions: Inches [Millimeters]

4X6-32 Tap, 0.25 ▾

4X10-32 Tap, 0.25 ▾

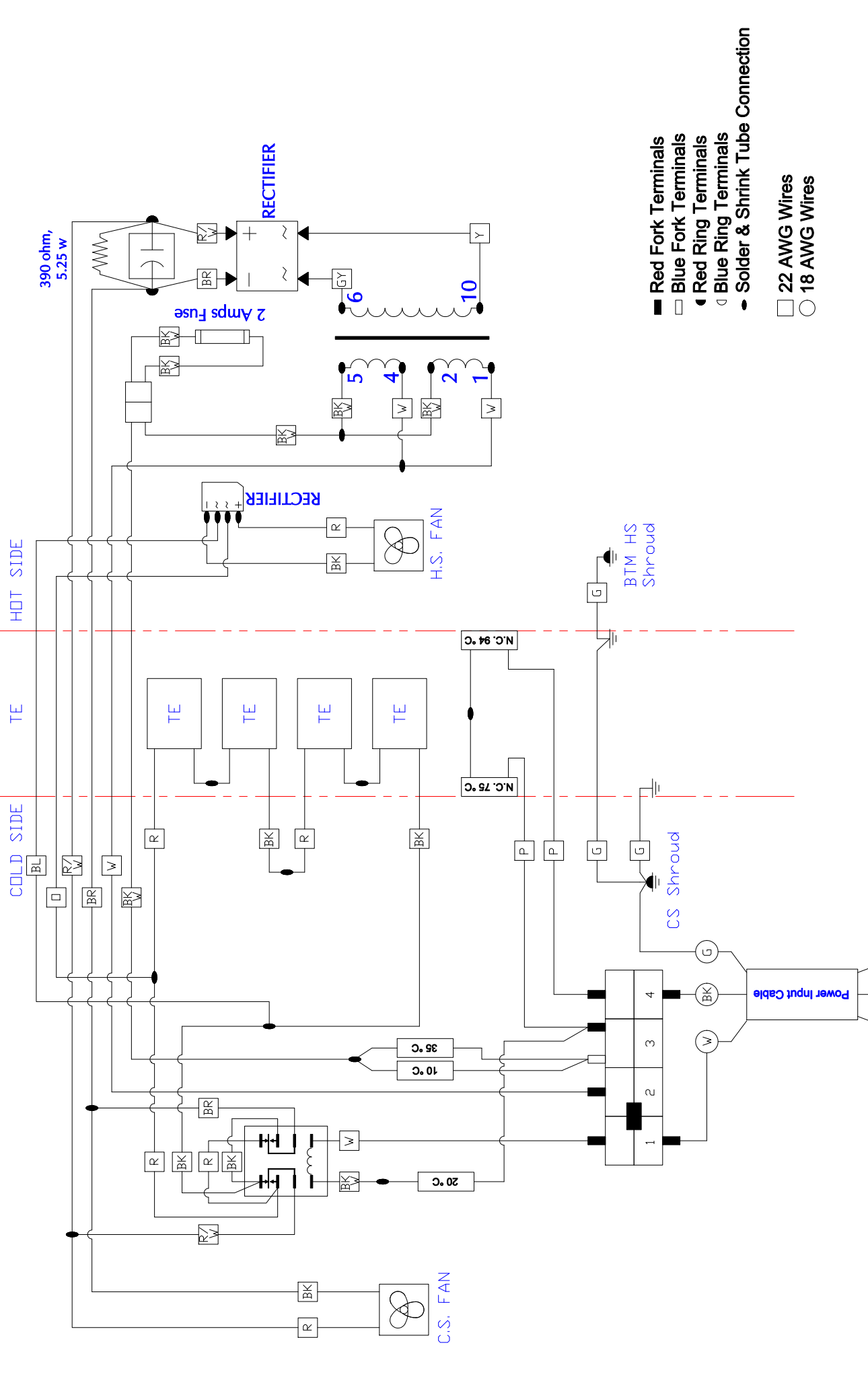


C.S. Air Flow Pattern



Dimensions: Inches [Millimeters]

INFORMATION DISCLOSED HEREIN IS THE CONFIDENTIAL PROPERTY OF TEGA CORP. RECIPIENT SHALL NOT USE THE INFORMATION IN ANY UNAUTHORIZED MANNER. FINISH:	UNLESS OTHERWISE SPECIFIED DIMENSIONS ARE IN INCHES TOLERANCES ARE:		DECIMALS .XX +/- .XXX +/-		ANGLE +/-	FRACTION +/-	MATERIAL:	DRAWING # SK110821	REV. LEVEL SHEET
	THERMOELECTRIC COOLING AMERICA CORP.		AHP-401 ASSEMBLY		DRAWN BY: AA	DATE: 08/08/2011			
REV	DESCRIPTION	Date	APPROVED						



REV	DESCRIPTION	Date	APPROVED	FINISH:		INFORMATION DISCLOSED HEREIN IS THE CONFIDENTIAL PROPERTY OF TECA CORP. RECIPIENT SHALL NOT USE THE INFORMATION IN ANY UNAUTHORIZED MANNER.	UNLESS OTHERWISE SPECIFIED DIMENSIONS ARE IN INCHES TOLERANCES ARE:	DRAWING #		REVISION LEVEL	SHEET
				AA	AA			SK110512	A		
A	Revised to reflect fans change from AC to DC.	09/28/2011	AA	AA	AA	TECA CORP. CONFIDENTIAL PROPERTY	DECIMALS .XX +/- .XXX +/-	ANGLE +/- FRACTION +/-	SK110512	A	
									SCALE		
									D8041		
									MASTER:		
									SK110114		

THERMOELECTRIC COOLING AMERICA CORP.

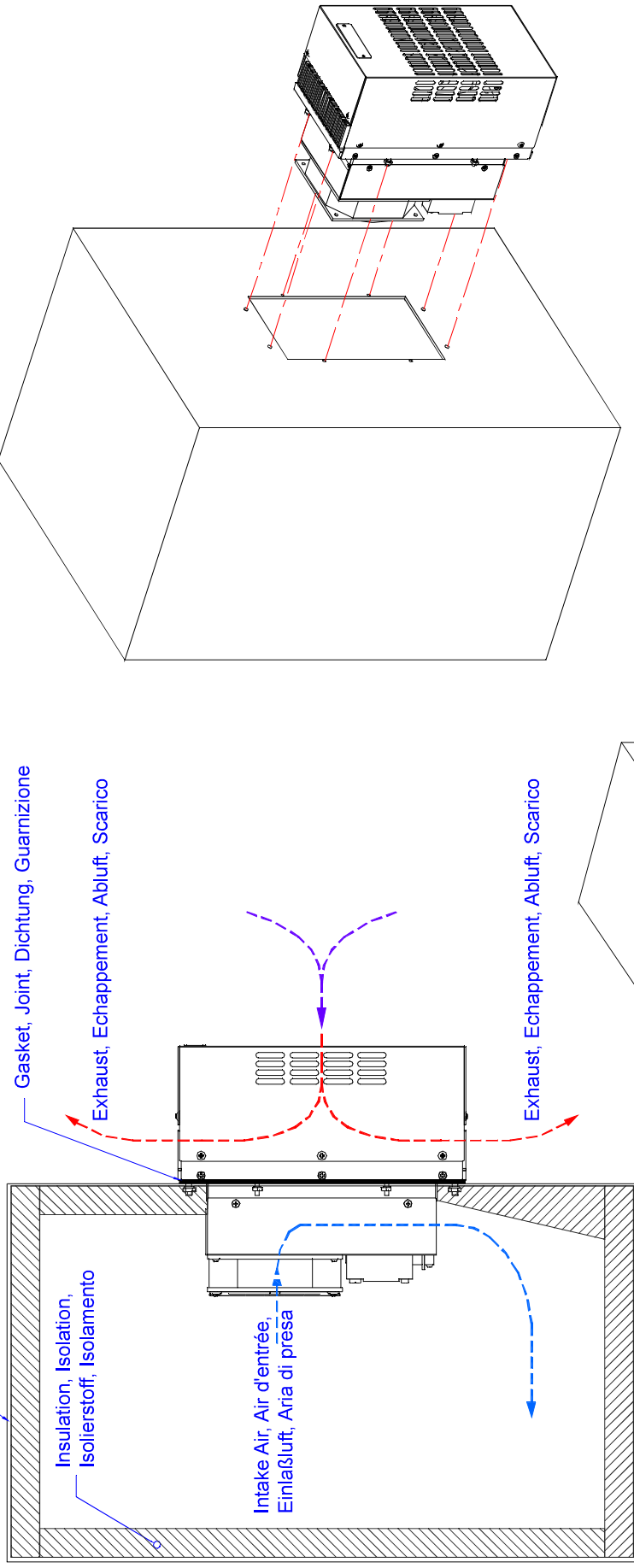
AHP-401HC/FHP-401HC WITH TC-7F
WIRING DIAGRAM

- Red Fork Terminals
- Blue Fork Terminals
- Red Ring Terminals
- Blue Ring Terminals
- Solder & Shrink Tube Connection
- 22 AWG Wires
- 18 AWG Wires

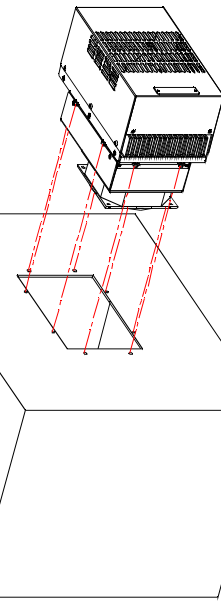
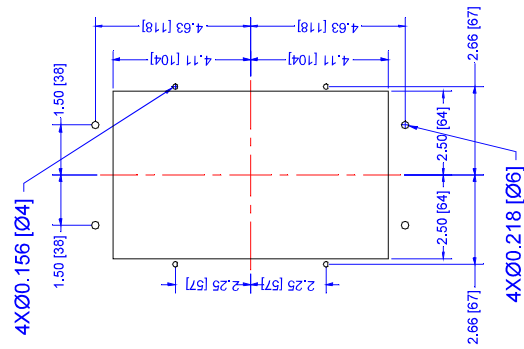
REV	DESCRIPTION	Date	APPROVED	AA	AA	FINISH:	INFORMATION DISCLOSED HEREIN IS THE CONFIDENTIAL PROPERTY OF TECA CORP. RECIPIENT SHALL NOT USE THE INFORMATION IN ANY UNAUTHORIZED MANNER.	UNLESS OTHERWISE SPECIFIED DIMENSIONS ARE IN INCHES TOLERANCES ARE:	DECIMALS .XX +/- .XXX +/-	ANGLE +/- FRACTION +/-	DRAWING #	REVISION LEVEL	SHEET
A	Revised to reflect fans change from AC to DC.	09/28/2011	AA	AA	AA	TECA CORP. CONFIDENTIAL PROPERTY					SK110512	A	
											SCALE		
											D8041		
											MASTER:		
											SK110114		

Enclosure, Armoire, Gehäuse, Armadi

Mounting, Monture, Montage, Montaggio



MOUNTING CUTOUT DIMENSIONS



Alternate, Alternative, Alternativa

English, Français, Deutsch, Italiano
Dimensions: Inches [Millimeters]

REV	DESCRIPTION	Date	APPROVED												
<p>INFORMATION DISCLOSED HEREIN IS THE CONFIDENTIAL PROPERTY OF TECA CORP. RECIPIENT SHALL NOT USE THE INFORMATION IN ANY UNAUTHORIZED MANNER.</p> <p>FINISH:</p>															
<p>UNLESS OTHERWISE SPECIFIED DIMENSIONS ARE IN INCHES</p> <table border="1"> <thead> <tr> <th>TOLERANCES ARE:</th> <th>DECIMALS</th> <th>ANGLE</th> <th>+/-</th> </tr> </thead> <tbody> <tr> <td>XX +/-</td> <td>XXX+</td> <td>XXX+</td> <td>XXX+</td> </tr> <tr> <td>XX +/-</td> <td>XXX+</td> <td>XXX+</td> <td>XXX+</td> </tr> </tbody> </table> <p>MATERIAL:</p>				TOLERANCES ARE:	DECIMALS	ANGLE	+/-	XX +/-	XXX+	XXX+	XXX+	XX +/-	XXX+	XXX+	XXX+
TOLERANCES ARE:	DECIMALS	ANGLE	+/-												
XX +/-	XXX+	XXX+	XXX+												
XX +/-	XXX+	XXX+	XXX+												
<p>THERMOELECTRIC COOLING AMERICA CORP.</p> <p>AHP-400 / AHP-500 TYPICAL FIELD MOUNTING</p>															
DRAWN BY:	AA	DRAWING #	SK110823												
DATE:	08/08/2011	SCALE	D8169												
REV LEVEL		MASTER	SK110821												
SHEET															

Power Temperature Controllers

TC-1C AND TC-1H POWER TEMPERATURE SWITCHES

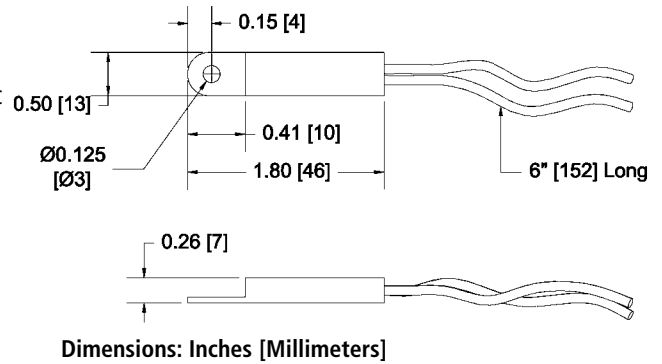
Models TC-1C and TC-1H power temperature controllers, with their small tolerance and reset differential, are the simplest and most cost effective way to control a cooling or heating device (VAC or VDC) without a need for a relay. For circuits that have higher current draw simply use them in conjunction with a solid state relay.

Part Numbers:

Mode	Part Number	Note
Cool	TC-1C-XX	switch closes on temperature rise
Heat	TC-1H-XX	switch closes on temperature drop

XX: Specify temperatures 20 °C, 25 °C, 30 °C, 35 °C for cool mode and 10°C, 15 °C for heat mode

Example: TC-1C-20 and TC-1H-10



Dimensions: Inches [Millimeters]

TC-1 SPECIFICATION

VOLTAGE	CURRENT amps	SET POINT TOLERANCE °C	RESET DIFFERENTIAL °C
125 VAC	2	+/- 3	3 - 6
250 VAC	1.3	+/- 3	3 - 6
12 VDC	2	+/- 3	3 - 6
24 VDC	1.3	+/- 3	3 - 6

TC-6F COOL ONLY

Model TC-6F (Cool Only) thermostat is designed using two temperature power switches in conjunction with a solid state relay. A three position switch is provided to adjust temperature settings.

TC-6F SPECIFICATION

MODEL NUMBER	PART NUMBER	NOTES	TEMP @ T1 °C	TEMP @ T2 °C	T1-T2 (MAX) °C	RESET (TYP) °C	RESET °C	TEMP @ T3	OPERATING VOLTAGE	SWITCHING VOLTAGE	SWITCHING CURRENT
TC-6F	6F-00A-00-000	No Relay	35 +/- 5	25 +/- 5	10 +/- 3	6.5	3	Continuous On	NA	NA	NA
TC-6F-AC	6F-03T-00-000	VAC Version	35 +/- 5	25 +/- 5	10 +/- 3	6.5	3	Continuous On	85-250 VAC	24-280 VAC	10
TC-6F-DC	6F-43D-00-000	12/24 VDC	35 +/- 5	25 +/- 5	10 +/- 3	6.5	3	Continuous On	3.5-32 VDC	0-100 VDC	.02-20 ADC
TC-6F-DC	6F-33D-00-000	48 VDC	35 +/- 5	25 +/- 5	10 +/- 3	6.5	3	Continuous On	3.5-32 VDC	0-100 VDC	.02-20 ADC

TC-3F HEAT AND COOL

Model TC-3F (Heat/Cool) thermostat incorporates the same technology as the TC-6F. It contains a single setting each for both heating and cooling as referenced below:

TC-3F SPECIFICATION

MODEL NUMBER	PART NUMBER	NOTES	COOL TEMP. °C	HEAT TEMP. °C	RESET (MAX) °C	RESET (TYP) °C	OPERATING VOLTAGE	SWITCHING VOLTAGE	SWITCHING CURRENT
TC-3F-AC	3F-04R-00-000	VAC Version	35 +/- 5	15 +/- 5	6.5	3	85-250 VAC	24-280 VAC	10 AMPS
TC-3F-DC	3F-44G-00-000	12/24 VDC	35 +/- 5	15 +/- 5	6.5	3	3.5-32 VDC	0-100 VDC	.02 - 20 ADC
TC-3F-DC*	3F-44P-00-000	12/24 VDC	35 +/- 5	15 +/- 5	6.5	3	3.5-32 VDC	0-100 VDC	.02 - 20 ADC

* H-Bridge relays included

TC-7F HEAT AND COOL

Model TC-7F (Heat/Cool) thermostat incorporates the same technology as the TC-6F. It contains a single setting each for both heating and cooling and a heat exchanger mode:

TC-7F SPECIFICATION

MODEL NUMBER	PART NUMBER	NOTES	HX TEMP. °C	COOL TEMP. °C	HEAT TEMP. °C	RESET (MAX) °C	RESET (TYP) °C	OPERATING VOLTAGE	SWITCHING VOLTAGE	SWITCHING CURRENT
TC-7F-DC	7F-24G-00-000	24 VDC	20 +/- 3	35 +/- 3	10 +/- 3	6.5	3	24 VDC	24 VDC	.02 - 20 ADC

* H-Bridge relays included

LIMITED WARRANTY

In the event a defect in material or workmanship is discovered in any of TECA's products within one year after the date they are delivered to Buyer, and if: (a) TECA is notified of the defect in writing by certified mail within 14 days of the date of discovery; (b) TECA may then either, at its sole discretion, inspect the product at Buyer's location, or require that the product be made available at Buyer's expense at TECA's premises for TECA's inspection within 14 days of the date of notification; and (c) the products are defective and the defects result from faulty materials and/or workmanship and not in any way from accident, misuse, misapplication, mishandling, modification, or alteration by the Buyer or the shipper, then TECA shall, at its sole option, repair or exchange defective products free of charge to Buyer, or credit to buyer the price of the defective products. ALL OTHER WARRANTIES, EXPRESS OR IMPLIED, ARE EXCLUDED, INCLUDING BUT NOT LIMITED TO THE IMPLIED WARRANTIES OF MERCHANTABILITY AND FITNESS FOR A PARTICULAR PURPOSE. IN NO EVENT SHALL TECA BE LIABLE FOR ANY CLAIM BASED UPON BREACH OF EXPRESS OR IMPLIED WARRANTY OR ANY OTHER DAMAGES WHETHER SPECIAL, INDIRECT, INCIDENTAL, CONSEQUENTIAL, LOST PROFITS, BUSINESS INTERRUPTION, OR LOSS OF BUSINESS OR CUSTOMER RELATIONSHIPS.

RETURNED GOODS, RESTOCKING CHARGES

In order to return merchandise for any reason (repair, replacement, or credit) a return authorization number must be issued by TECA. New merchandise may not be returned for credit beyond 60 days from shipment. Charges for incidental or other damages may also be made. All returned goods must be sent freight prepaid. A restocking charge of 15% will apply. On special equipment and custom modified equipment orders, additional incremental cancellation charges may be made.