

Product Information Packet

Model AHP-1800XEHC

Solid State, NEMA 4, Heat/Cool Air Conditioner

with TC-3F Temperature Control

Part #0-0130-5-000

Thank you for your purchase. Information has been enclosed regarding the installation, specifications, and wiring of your solid-state assembly. Please read and follow all instructions carefully before installation. Only qualified technicians should install this equipment.

If you have any questions regarding your equipment, please do not hesitate to call us at 773-342-4900, and we will be happy to assist you. We are open from 8:30 am-5:00 pm Central Time.

Included in this packet you will find:

Installation Notes for Air Conditioners

Product Literature and Specifications

Assembly Drawing # 1800-B-A18

Wiring Drawing # 1800-A-E84

Installation Drawing # 1800-B-F1

Temperature Control Information

Warranty Information

teca[®]

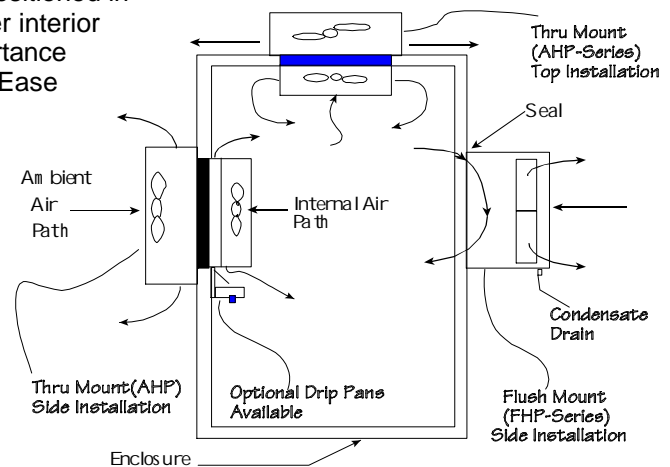
ThermoElectric Cooling America Corporation • 4048 W. Schubert Ave. • Chicago IL (USA) 60639
Phone: 773-342-4900 Fax: 773-342-0191 • www.thermoelectric.com • teca@thermoelectric.com

Important Installation Notes for Air Conditioners

Mounting Styles: Both 'thru mount' and 'flush mount' units can be positioned in any orientation and on any enclosure surface. It is important to consider interior air flow patterns when determining the mounting location. Also of importance is an unrestricted flow of ambient air thru the hot side heat exchanger. Ease of access and inspection must be considered for those applications in particularly severe environments which may require occasional maintenance.

Vertical (Side/Front/Back) Mounting:

Vertical mounting refers to the vertical direction of the cold side or interior fins and is recommended for applications with high humidity, poor and incomplete cabinet seals or any condition which may cause the cold side fins to be maintained at temperatures below the dew point for long periods of time allowing for the formation of condensation. The vertical fin direction provides a drip path whereupon condensation can be collected via a moisture removal system (standard on FHP-units) or a drip pan positioned below the cold side fins. Drip pans are optional for thru mount units.



Condensate Removal System:

All FHP-Series and AHP-1400 air conditioners contain a built-in condensate removal system. The condensate kit consists of an antifungal sponge with a condensate wick. PVC tubing is also provided for drainage. Drip pans are optional for thru mount units which must be evaluated on an individual basis. Equations defining a relationship between the cold side fin and enclosure temperatures are provided to assist in the evaluation.

Top Mounting:

Though often the easiest location to mount it is often the most difficult to protect from condensation in this orientation due to the fin orientation, gravity and any susceptible components below. If a drip pan is employed by the end user use caution to place the pan far enough away from the internal fan to minimize the restriction of air flow. The pan should cover the fin ends as well as the fan area. When there is a choice, the vertical orientation is preferred by most users.

Maintenance:

Since the technology is solid-state, there are no filters, compressors, or fluorocarbons to maintain. The only moving parts are the fans. It is recommended for harsh or dirty environments that the heat sinks be cleaned from time to time. This can be accomplished by directing compressed air over the external fins or on NEMA 4 versions by hosing the unit down. This will increase the overall life and performance of the system.

Cautions:

Take care when mounting not to damage the seal between the hot and cold side sinks. Do not attempt to mount a unit to a warped surface or try to make the units mounting surface conform to an unflat surface. Do not pinch or damage any leads when mounting. Do not over tighten any installation screw, use reasonable force. Always mount with any condensate drain down. Do not compress the cold side between the hot side and any other surface. Do not obstruct the airflow on either side. When mounting consider the natural air flows of the enclosure. Connect power only after the installation is complete.

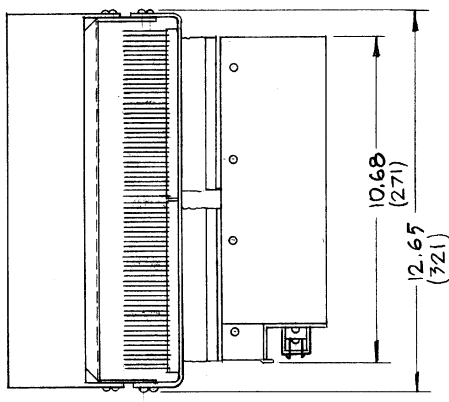
Notes on condensation:

Condensation occurs at the cold side fins when the surface temperature goes below the dew point. To reduce or remove condensate, consider the following:

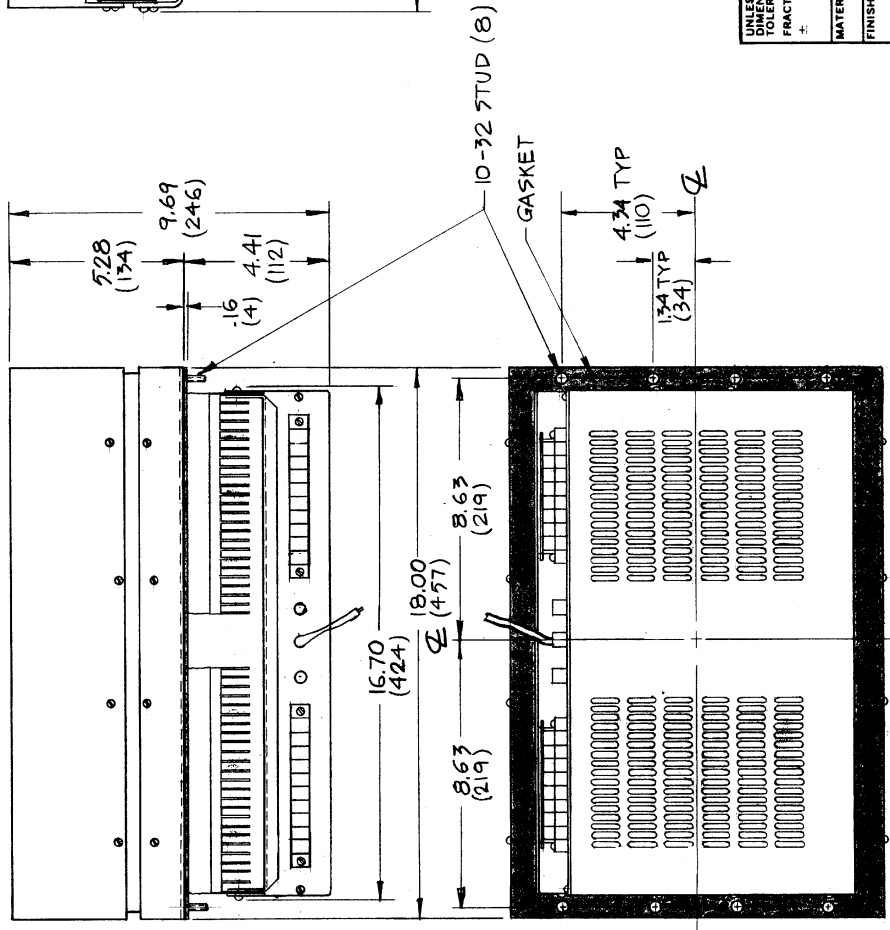
- Regulate the Fin Temperature above the Dewpoint.
- Keep Enclosure Closed and Sealed from Outside Humidity.
- Use Desiccant (Moisture absorbing Granules.)
- Employ Condensate Removal System/Drip Pans.

If you have any questions regarding your installation, Please feel free to contact our technical department for assistance at 773-342-4900.

LTR	DESCRIPTION	DATE	APPROVED
A	ADD METRIC DIMENSIONS	03.23.90	1: N
B	REVISED TITLE	07.13.90	IN
C	CORRECTED (44) TO (34)	09.10.92	IN



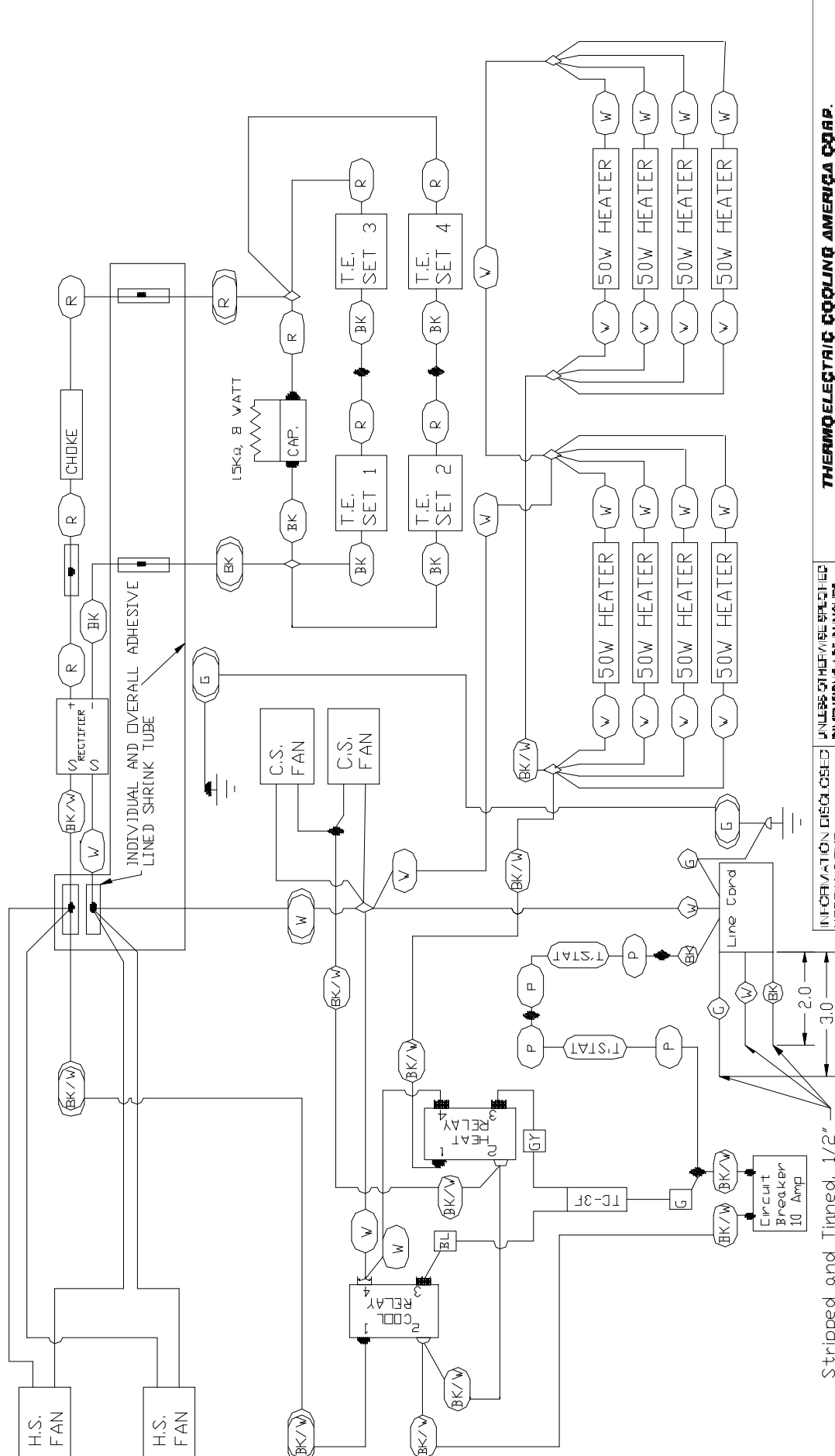
NOTE: DIMENSIONS IN INCHES
(MILLIMETERS)



UNLESS OTHERWISE SPECIFIED TOLERANCES ARE FRACTIONS DECIMALS ANGLES	
± .XX ±	±
± .XXX ±	±
MATERIAL	
FINISH	
APPROVALS	DATE
DRAWN I.N.	1.23.90
CHECKED	
SIZE	DRAWING NO.
B	1800 - B - A18
SCALE 1/4	SHEET 1291
	OF

loca
ThermoElectric Cooling America Corp.
AHP 1801/1801X
ASSEMBLY

- ◇ INDICATES BLUE RING TERMINAL
- INDICATES SOLDER CONNECTION
- INDICATES RED RING TERMINAL
- INDICATES SMALL RED RING TERMINAL
- INDICATES SMALL BLUE RING TERMINAL
- INDICATES 18 AWG WIRE
- INDICATES 20 AWG WIRE
- INDICATES PLENUM CABLE WIRE
- INDICATES 16 AWG WIRE
- ◇ INDICATES AMP 321519 CLOSED END SPLICE
- ◆ INDICATES AMP 55843-1 CLOSED END SPLICE



Stripped and Tinned, 1/2"

UNLESS OTHERWISE SPECIFIED DIMENSIONS ARE IN INCHES TOLERANCES ARE DECIMALS ANGLES FRACTIONS XX +/- XXX +/- +/-	
INFORMATION DISCLOSED HEREIN IS THE CONFIDENTIAL PROPERTY OF TEGA CORP. EMPLOYEES SHALL NOT USE THE INFORMATION IN ANY UNAUTHORIZED MANNER.	
FINISH:	MATERIAL:
DRAWN BY: AB	DRAWING # 1800-A-E84
DATE 6/2/99	SCALE MASTER 1800-A-E74
REV	DESCRIPTION DATE APPROVED
REV LEVEL	SHEET

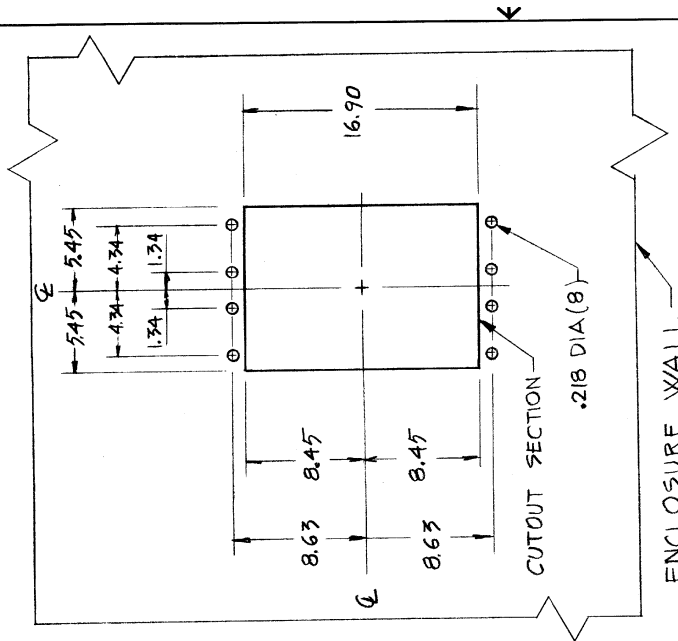
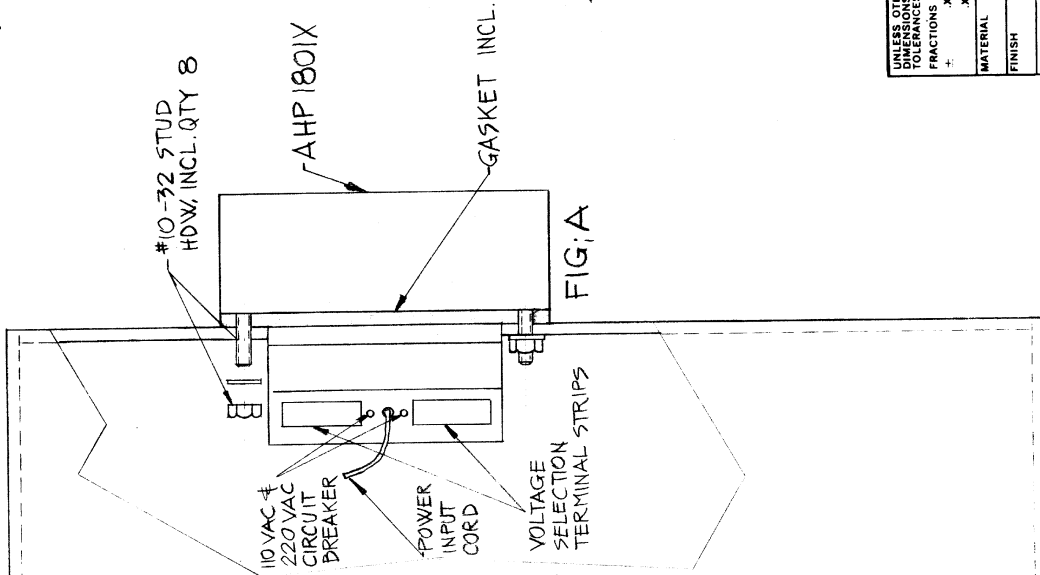
THERMOELECTRIC COOLING AMERICA CORP.

AHP-1800XEHC
Wiring Diagram

MOUNTING INSTRUCTIONS

DETERMINE DESIRED MOUNTING LOCATION; INTERNAL CLEARANCE REQUIRED IS 4.5" DEEP X 10.70" WIDE X 16.60" LONG FOR THE PORTION OF THE UNIT THAT EXTENDS INTO THE ENCLOSURE.

A RECTANGULAR CUTOUT SURROUNDED BY CLEARANCE HOLES FOR THE MOUNTING STUDS IS REQUIRED IN THE ENCLOSURE WALL. SEE FIG. B MOUNTING HOLES AND CUTOUT FOR DIMENSIONS. MOUNT UNIT USING HARDWARE PROVIDED. GASKET SHOULD BE IN PLACE BETWEEN RACK PANEL AND ENCLOSURE WALL SO THAT POSITIVE SEAL RESULTS. SEE FIG. A "TILTING" UNIT WHILE EXTENDING THRU CUTOUT WILL ASSIST INSTALLATION.



ENCLOSURE WALL (REF)
FIG. B MOUNTING HOLES AND CUTOUT

LTR	DESCRIPTION	DATE	APPROVED

		ThermoElectric Cooling America Corp.	
FIELD MOUNTING AHP 1801X			
MATERIAL	FINISH	SIZE	DRAWING NO.
		B	1800-B-FI
APPROVALS	DATE	SCALE	SHEET
DRAWN I.N.	12.15.89	D1422	OF
CHECKED			

UNLESS OTHERWISE SPECIFIED DIMENSIONS ARE IN INCHES FRACTIONS DECIMALS ANGLES
XXX ± .015
XXX ± .005

Reed Switch Thermostats

TC-6F



Relay: Switch, Not Shown

Model TC-6F (Cool Only) thermostat is designed using two magnetic reed sensing switches in conjunction with a solid state relay. A three position switch is provided to adjust between the following settings:

Position	Control Temp.	Tolerance	Reset Differential
1	35°C	+/-5°C	10°C Maximum
2	25°C	+/-5°C	10°C Maximum
3	Continuous		

TC-3F



Relays: Not Shown

Model TC-3F (Heat/Cool) thermostat incorporates the same technology as the TC-6F. It contains a single setting for both heating and cooling as referenced below:

Mode	Control Temp.	Tolerance	Reset Differential
Cooling	35°C	+/-5°C	10°C Maximum
Heating	10°C	+/-5°C	10°C Maximum

LIMITED WARRANTY

In the event a defect in material or workmanship is discovered in any of TECA's products within one year after the date they are delivered to Buyer, and if: (a) TECA is notified of the defect in writing by certified mail within 14 days of the date of discovery; (b) TECA may then either, at its sole discretion, inspect the product at Buyer's location, or require that the product be made available at Buyer's expense at TECA's premises for TECA's inspection within 14 days of the date of notification; and (c) the products are defective and the defects result from faulty materials and/or workmanship and not in any way from accident, misuse, misapplication, mishandling, modification, or alteration by the Buyer or the shipper, then TECA shall, at its sole option, repair or exchange defective products free of charge to Buyer, or credit to buyer the price of the defective products. ALL OTHER WARRANTIES, EXPRESS OR IMPLIED, ARE EXCLUDED, INCLUDING BUT NOT LIMITED TO THE IMPLIED WARRANTIES OF MERCHANTABILITY AND FITNESS FOR A PARTICULAR PURPOSE. IN NO EVENT SHALL TECA BE LIABLE FOR ANY CLAIM BASED UPON BREACH OF EXPRESS OR IMPLIED WARRANTY OR ANY OTHER DAMAGES WHETHER SPECIAL, INDIRECT, INCIDENTAL, CONSEQUENTIAL, LOST PROFITS, BUSINESS INTERRUPTION, OR LOSS OF BUSINESS OR CUSTOMER RELATIONSHIPS.

RETURNED GOODS, RESTOCKING CHARGES

In order to return merchandise for any reason (repair, replacement, or credit) a return authorization number must be issued by TECA. New merchandise may not be returned for credit beyond 60 days from shipment. Charges for incidental or other damages may also be made. All returned goods must be sent freight prepaid. A restocking charge of 15% will apply. On special equipment and custom modified equipment orders, additional incremental cancellation charges may be made.