

# Product Information Packet

## Model AHP-300CPHC

Solid State Heat/Cool Cold Plate

Part # 1-7095-1-000

Thank you for your purchase. Information has been enclosed regarding the installation, specifications, and wiring of your solid-state assembly. Please read and follow all instructions carefully before installation. Only qualified technicians should install this equipment.

If you have any questions regarding your equipment, please do not hesitate to call us at 773-342-4900, and we will be happy to assist you. We are open from 8:30 am-5:00 pm Central Time.

Included in this packet you will find:

Product Literature and Specifications

Assembly Drawing # 301-B-A48

Wiring Drawing # 301-B-E48

Installation Drawing # 301-B-F5

Warranty Information

The logo for Teca, featuring the word "teca" in a bold, lowercase, sans-serif font. The letter "t" is stylized with a vertical line extending upwards from its stem.

**ThermoElectric Cooling America Corporation**  
4048 W. Schubert Avenue • Chicago, IL (U.S.A.) 60639  
Ph: 773/342-4900 Fx: 773/342-0191  
sales@thermoelectric.com www.thermoelectric.com

# AHP-300CP AHP-150CP

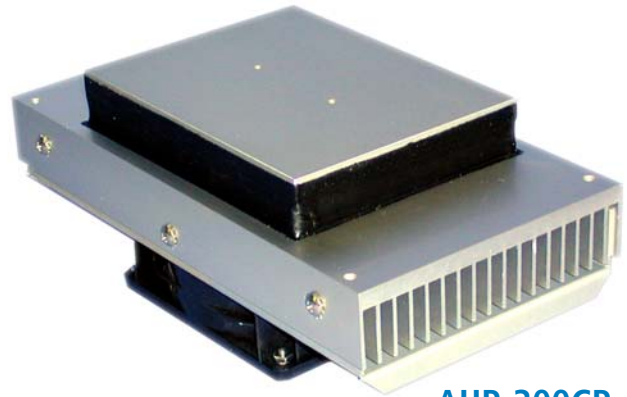
Air Cooled

# Thermoelectric Cold Plate

General Purpose VDC Input

## FEATURES

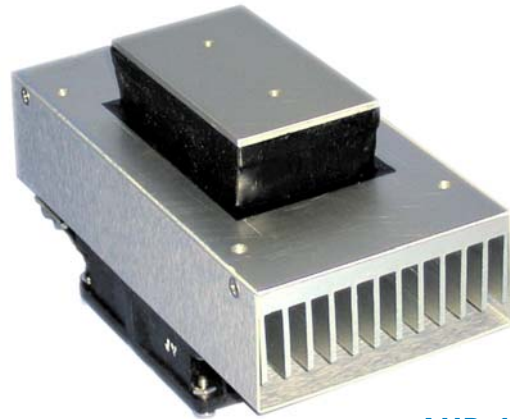
- Direct contact cooling as much as 56 °C below room temperature
- No compressor, fluorocarbons or filters
- Virtually maintenance-free operation
- Mounts in any orientation
- Works with TC-3500



**AHP-300CP**

## INCLUDES

- Cold plate accessory tapped holes
- Machined surface
- Terminal strip for wire hook up



**AHP-150CP**

## SPECIFICATIONS AHP-300CP

MODEL	PART NUMBER	NOTES	PERFORMANCE RATING BTU/HR	VOLTAGE VDC	CURRENT AMPS.	WEIGHT LBS. (KG)	TEMP. CONTROL	OPERATING AMBIENT °C
AHP-300CP	1-7097-0-000	Cool only	290-330	12/24/48	12/6/3	6(2.7)	none	-10/+70
AHP-300CPHC	1-7094-1-000	Heat/Cool	290-330	12	12	6(2.7)	none	-10/+70
AHP-300CPHC	1-7095-1-000	Heat/Cool	290-330	24	6	6(2.7)	none	-10/+70
AHP-300CPHC	1-7097-1-001	Heat/Cool Rev. Pol.*	290-330	12/24/48	12/6/3	6(2.7)	none	-10/+70

## SPECIFICATIONS AHP-150CP

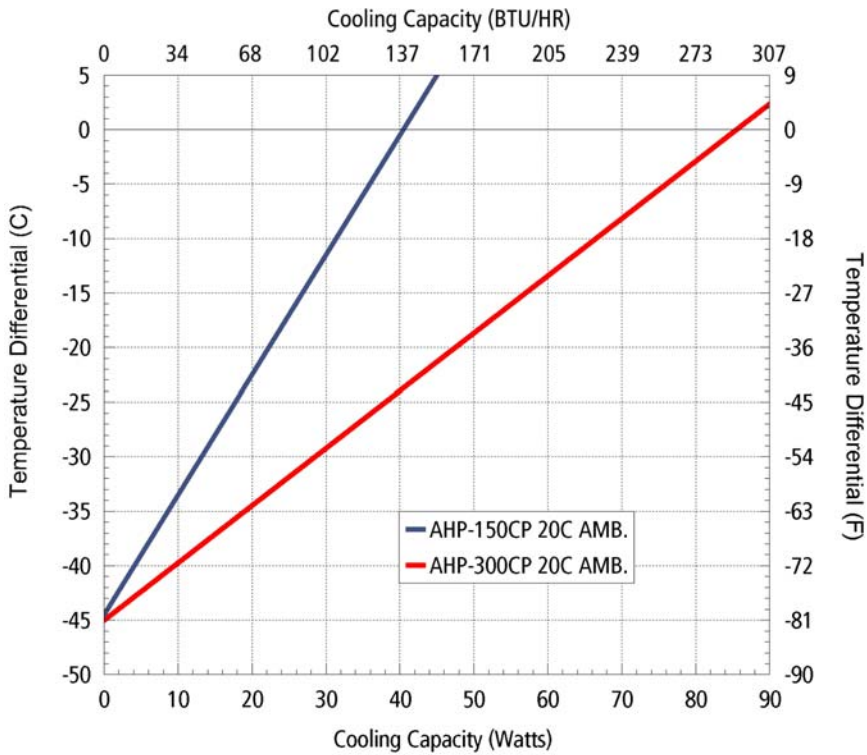
MODEL	PART NUMBER	NOTES	PERFORMANCE RATING BTU/HR	VOLTAGE VDC	CURRENT AMPS.	WEIGHT LBS. (KG)	TEMP. CONTROL	OPERATING AMBIENT °C
AHP-150CP	1-8098-0-000	Cool only	140-160	12/24	6/3	2.5(1.2)	None	-10/+70
AHP-150CPHC	1-8094-1-000	Heat/Cool	140-160	12	6	2.5(1.2)	None	-10/+70
AHP-150CPHC	1-8095-1-000	Heat/Cool	140-160	24	3	2.5(1.2)	None	-10/+70
AHP-150CPHC	1-8098-1-001	Heat/Cool Rev. Pol.*	140-160	12/24	6/3	2.5(1.2)	None	-10/+70

Note: Options for temperature control, consult factory.

\* Reverse polarity unit can be used with external TC-3500 controller see P. 112

See also, "Power Supplies", P. 117

## PERFORMANCE CURVE



Cold Plate - Air Cooled

## AHP-300CP

### ENVIRONMENTS

Bench Top, Laboratory, Industrial

### COOLING CAPACITY

85 Watts @ 0 °C ΔT

## AHP-150CP

### ENVIRONMENTS

Bench Top, Laboratory, Industrial

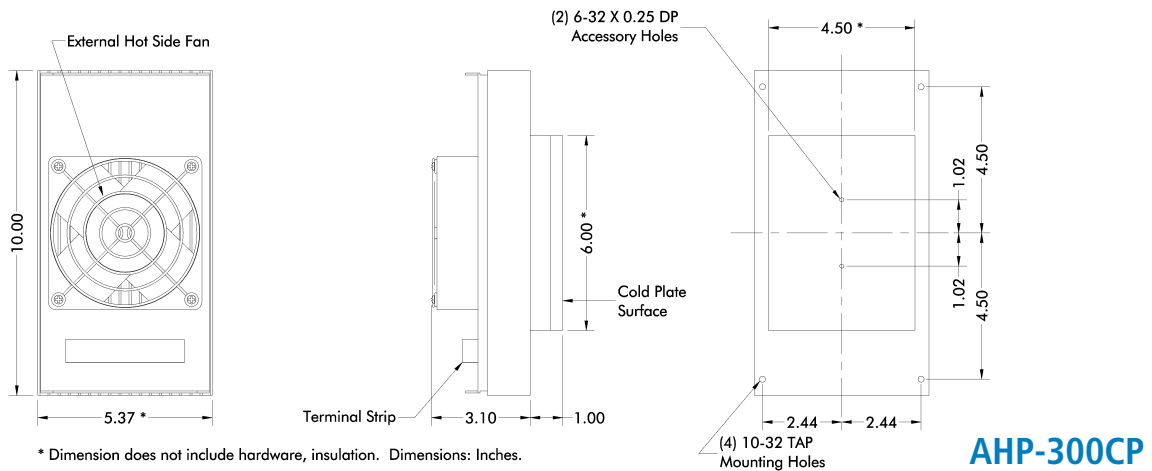
### COOLING CAPACITY

40 Watts @ 0 °C ΔT

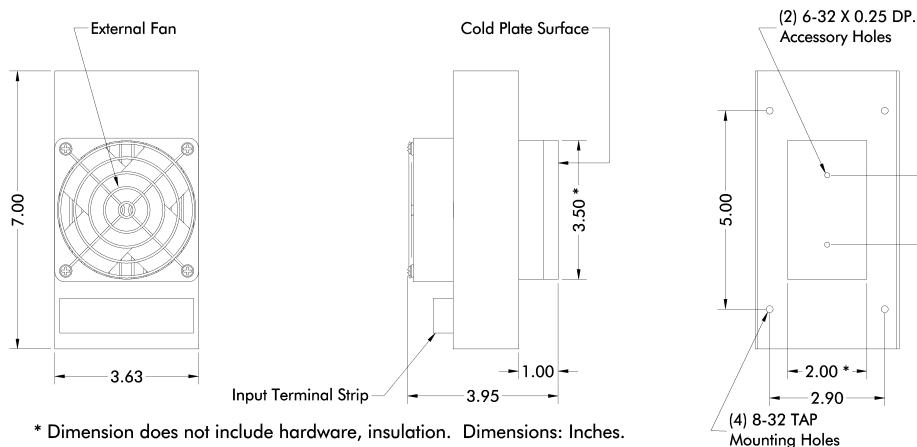
Equation of line:  $y = \Delta T(^{\circ}C)$   $x = \text{Capacity (Watts)}$

Ambient Temp	20°C	40°C	60°C
300CP Cold Plate	$y = .526x - 45.0$	$y = .526x - 48.0$	$y = .526x - 51.0$
150CP Cold Plate	$y = 1.1x - 44.5$	$y = 1.1x - 48$	$y = 1.1x - 51.5$

## DIMENSIONS



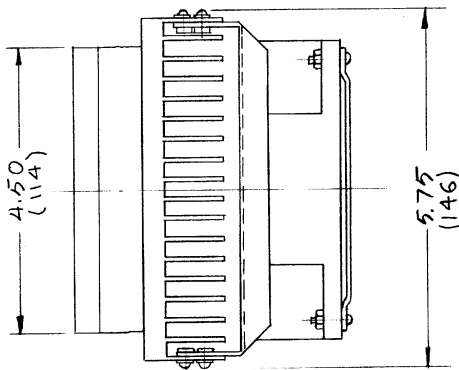
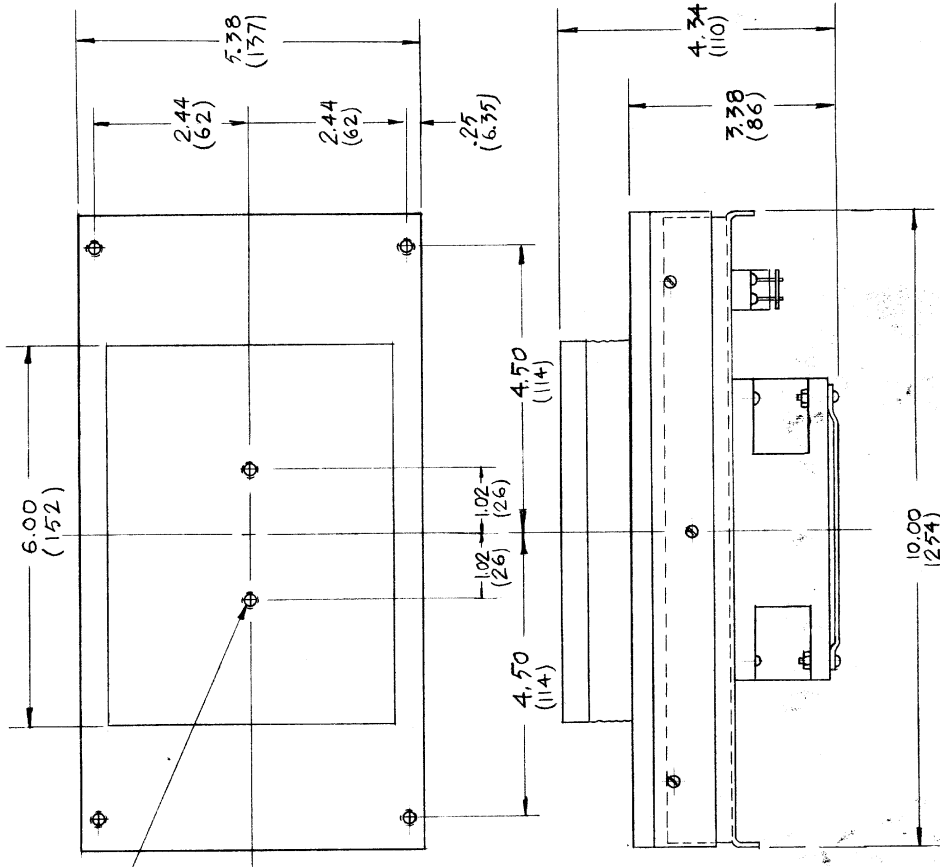
**AHP-300CP**



**AHP-150CP**

LTR	DESCRIPTION	DATE	APPROVED
A	ADD. DIMS. 4.50, 6.00 & TAP INFO.	08.28.95	J.A.

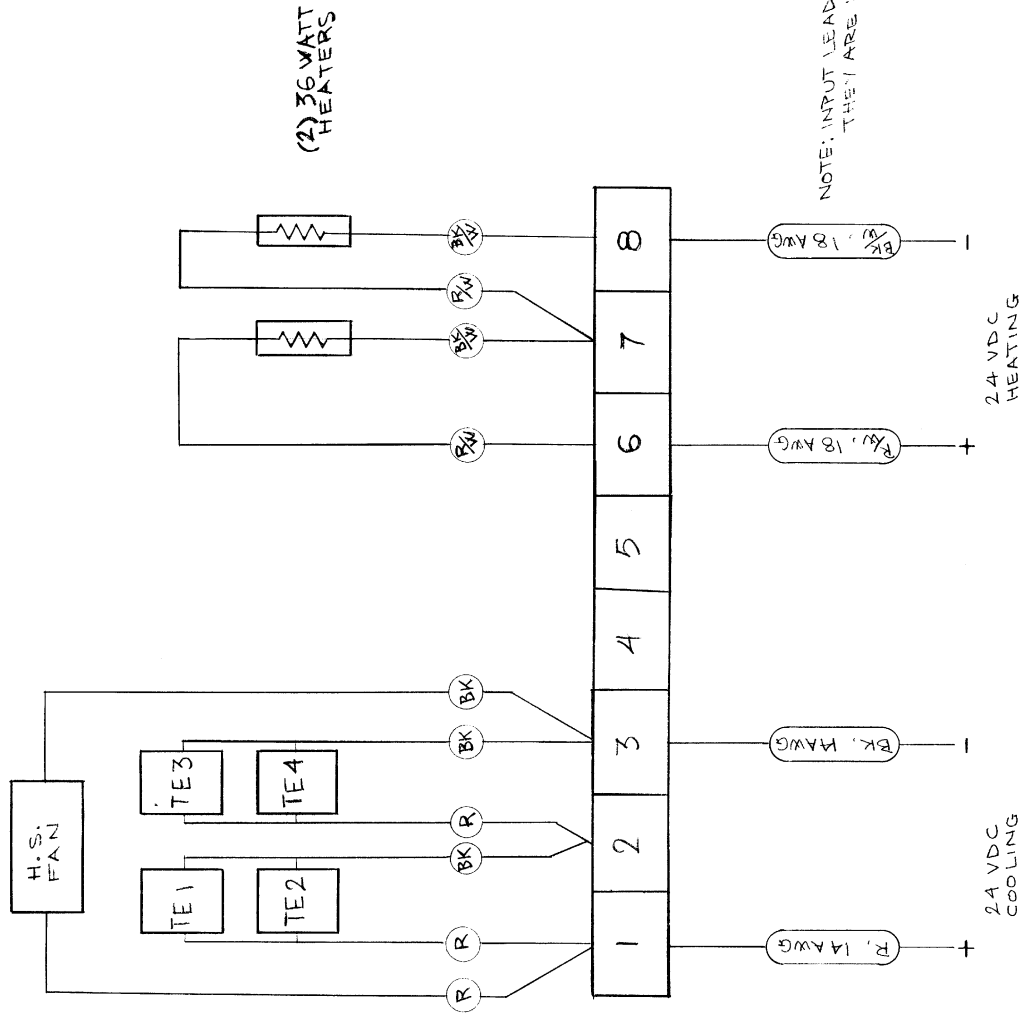
6-32 TAP  
.25 DEEP



NOTE: 10-32 x 3/4 STUDS AND GASKET  
NOT SHOWN  
DIMENSIONS: INCHES  
(MILLIMETERS)

		ThermoElectric Cooling America Corp.	
AHP 300 CP ASSEMBLY			
UNLESS OTHERWISE SPECIFIED DIMENSIONS ARE IN INCHES TOLERANCES ARE: .XX ± .015 ± .XXX ± .005		SIZE	DRAWING NO.
MATERIAL		B	301-B-A48
FINISH		SCALE	1/2
APPROVALS	DATE	SHEET	OF
DRAWN I.N.	02.06.90	02298	1/2
CHECKED			

LTR	DESCRIPTION	DATE	APPROVED
A	ADD. INPUT LEADS SPECS.	10-7-97	AA

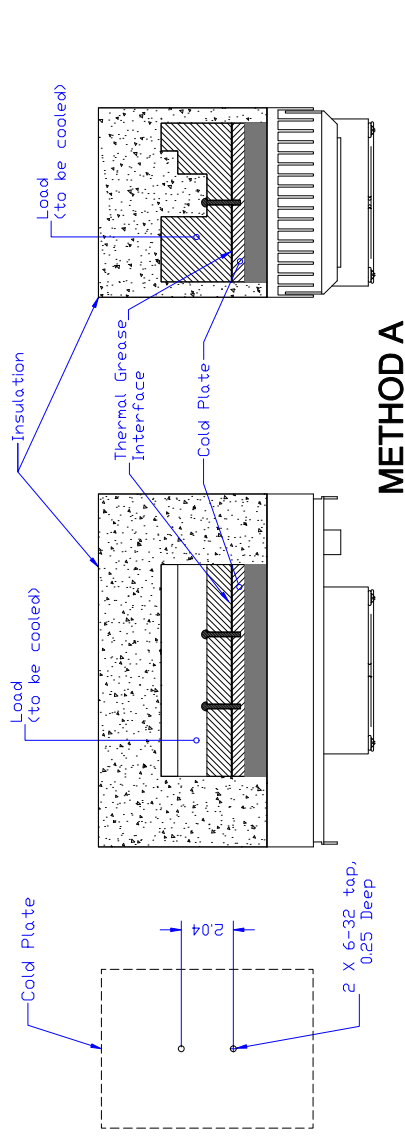


(2) 36 WATT HEATERS

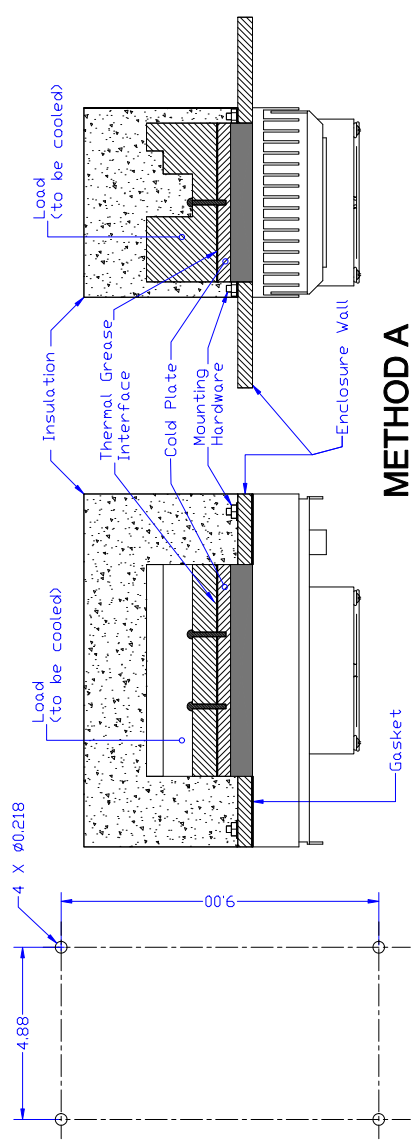
NOTE: INPUT LEADS ARE NOT ATTACHED BY TECA, THEY ARE INCLUDED IN SHIPPING PACKAGE.

NOTE: FOR YOUR CONVENIENCE WE HAVE INCLUDED 6' INPUT LEADS. IT IS RECOMMENDED THAT THESE BE ATTACHED PRIOR TO FINAL INSTALLATION OF THE TERMINAL STRIP COVER.

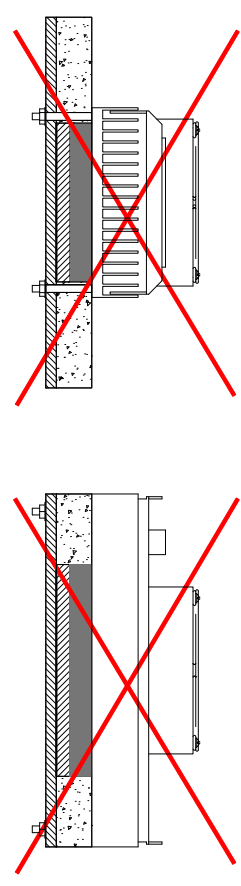
 ThermoElectric Cooling America Corp.	
AHP-300 CPHC 24VDC	
WIRING DIAGRAM	
UNLESS OTHERWISE SPECIFIED DIMENSIONS ARE IN INCHES TOLERANCES ARE: FRACTIONS DECIMALS ANGLES .XX ± .015 ± .XXX ± .005	SCALE
MATERIAL	SIZE
FINISH	B
APPROVALS	DATE
AA	7/19/96
DRAWN	DRAWING NO.
AA	301-B-E48
CHECKED	SHEET
	DA052
	of



**METHOD A**



**METHOD A**



**INSTALLATION INSTRUCTIONS**

- 1- Choose Mounting Method (A or B).
- 2- Prepare mounting surface/component as indicated. Ideal component surface flatness is  $\pm 0.01$  T.I.R.
- 3- Spread an even, approximately 10 MIL, layer of thermal grease (Dow type 340 or equivalent) on both thermal contact surfaces (component and cold plate). A speedball rubber roller works well for this.
- 4- Install unit without sliding against mating surface using stainless steel screws and lock washers if available. Rotate slightly to "seat" them. Torque screws until snug. Do not overtighten.
- 5- Fit insulation around cold plate surfaces as required.
- 6- If desired, caulk insulation to seal and secure insulation.
- 7- Connect power per appropriate wiring diagram.

**Note: Do not use this method. Over compression may cause irreversible damage to the thermoelectrics and void the warranty.**

INFORMATION DISCLOSED HEREIN IS THE CONFIDENTIAL PROPERTY OF TECA CORP. RECIPIENT SHALL NOT USE THE INFORMATION IN ANY UNAUTHORIZED MANNER. FINISH:	UNLESS OTHERWISE SPECIFIED DIMENSIONS ARE IN INCHES. TOLERANCES ARE:	<b>THERMOELECTRIC COOLING AMERICA CORP.</b> AHP-300CP INSTALLATION INSTRUCTIONS		DRAWING # 301-B-F5	REV. LEVEL A
	DECIMALS .XX ± FRACTIONS 1/16 ±	ANGLE 1/2 ± MATERIAL:	DRAWN BY: AA DATE: 01/13/2010	SCALE D0371	MASTER: MASTER SHEET

A Redrawn in CAD.	01/13/2010	AA
REV	Date	APPROVED
DESCRIPTION	AA	APPROVED

## LIMITED WARRANTY

In the event a defect in material or workmanship is discovered in any of TECA's products within one year after the date they are delivered to Buyer, and if: (a) TECA is notified of the defect in writing by certified mail within 14 days of the date of discovery; (b) TECA may then either, at its sole discretion, inspect the product at Buyer's location, or require that the product be made available at Buyer's expense at TECA's premises for TECA's inspection within 14 days of the date of notification; and (c ) the products are defective and the defects result from faulty materials and/or workmanship and not in any way from accident, misuse, misapplication, mishandling, modification, or alteration by the Buyer or the shipper, then TECA shall, at its sole option, repair or exchange defective products free of charge to Buyer, or credit to buyer the price of the defective products. ALL OTHER WARRANTIES, EXPRESS OR IMPLIED, ARE EXCLUDED, INCLUDING BUT NOT LIMITED TO THE IMPLIED WARRANTIES OF MERCHANTABILITY AND FITNESS FOR A PARTICULAR PURPOSE. IN NO EVENT SHALL TECA BE LIABLE FOR ANY CLAIM BASED UPON BREACH OF EXPRESS OR IMPLIED WARRANTY OR ANY OTHER DAMAGES WHETHER SPECIAL, INDIRECT, INCIDENTAL, CONSEQUENTIAL, LOST PROFITS, BUSINESS INTERRUPTION, OR LOSS OF BUSINESS OR CUSTOMER RELATIONSHIPS.

## RETURNED GOODS, RESTOCKING CHARGES

In order to return merchandise for any reason ( repair, replacement, or credit) a return authorization number must be issued by TECA. New merchandise may not be returned for credit beyond 60 days from shipment. Charges for incidental or other damages may also be made. All returned goods must be sent freight prepaid. A restocking charge of 15% will apply. On special equipment and custom modified equipment orders, additional incremental cancellation charges may be made.