

AHP-1200CPV

Versatile Cold/Hot Plate

Air Cooled
Bench Top

100-240 VAC Input
230 Watts

FEATURES

- Cools and heats (-20 °C to 90 °C & 120 °C)
- Precision machined anodized aluminum cold plate surface
- Stainless steel threaded inserts available (standard & custom patterns)
- Easy to clean stainless steel apron
- Integral PWM temperature controller
- 100-240 VAC universal input
- Low-profile design with ergonomic sloped front
- PWM controlled fan for quieter operation
- Weighs less than 30 lbs. (13.6 kg)
- Operating ambient temperature range of 0 °C to 50 °C
- Compact bench top unit, 11.2" X 15.1" footprint
- Virtually maintenance-free operation
- Painted Enameled stainless steel exterior housing
- Many accessories available



CONTROL FEATURES

- Integral "tunable" PWM temperature control
- PWM, Bi-directional temperature control
- Manually set or autotune for best PID values
- 4 Programable temperature zones with 4 independent PID settings
- Multi-segment ramp/soak programs with loops
- Internal RTD sensor, built into the cold plate
- Remote Sensibility™ switchable to exterior accessory RTD sensor
- USB communication with easy to use software
- Labview VI examples available

SPECIFICATIONS

MODEL	PART NUMBER	COLD PLATE SURFACE	VOLTAGE VAC 50/60 Hz (VDC)	CURRENT DRAW AMPS. †	COLD PLATE TEMPERATURE Range °C
AHP-1200CPV	9-35KB-1-0A0	Smooth	100-240	3.5	-20 / +90
AHP-1200CPV	9-35KB-1-TAP	6-32 Inserts	100-240	3.5	-20 / +90
AHP-1200CPV	9-35KB-1-MET	M3 Inserts	100-240	3.5	-20 / +90
AHP-1200CPV	9-35K5-1-0A0	Smooth	(24)	17	-20 / +90
AHP-1200CPV	9-35K5-1-TAP	6-32 Inserts	(24)	17	-20 / +90
AHP-1200CPV	9-35K5-1-MET	M3 Inserts	(24)	17	-20 / +90
AHP-1200CPV	9-35KB-6-0A0	Smooth	100-240	3.5	-20 / +120
AHP-1200CPV	9-35KB-6-TAP	6-32 Inserts	100-240	3.5	-20 / +120
AHP-1200CPV	9-35KB-6-MET	M3 Inserts	100-240	3.5	-20 / +120
AHP-1200CPV	9-35K5-6-0A0	Smooth	(24)	17	-20 / +120
AHP-1200CPV	9-35K5-6-TAP	6-32 Inserts	(24)	17	-20 / +120
AHP-1200CPV	9-35K5-6-MET	M3 Inserts	(24)	17	-20 / +120
AHP-1200CAS*	9-35KB-1-CAS*	6-32 Inserts	100-240	5.0	-20 / +90
AHP-1200CAS*	9-35KB-6-CAS*	6-32 Inserts	100-240	5.0	-20 / +120

* This part number is ready for use with a low temperature cascade option and includes CH-1200 hinged cover, CC-1200 rear panel for cascade power up and control, refer to AHP-1200CAS data sheet for more information.

† Reflects the current draw @ 120 VAC, 60 Hz input or 24 VDC steady state conditions.

Many options and accessories available, see accessory pages.

AHP-1200CPV

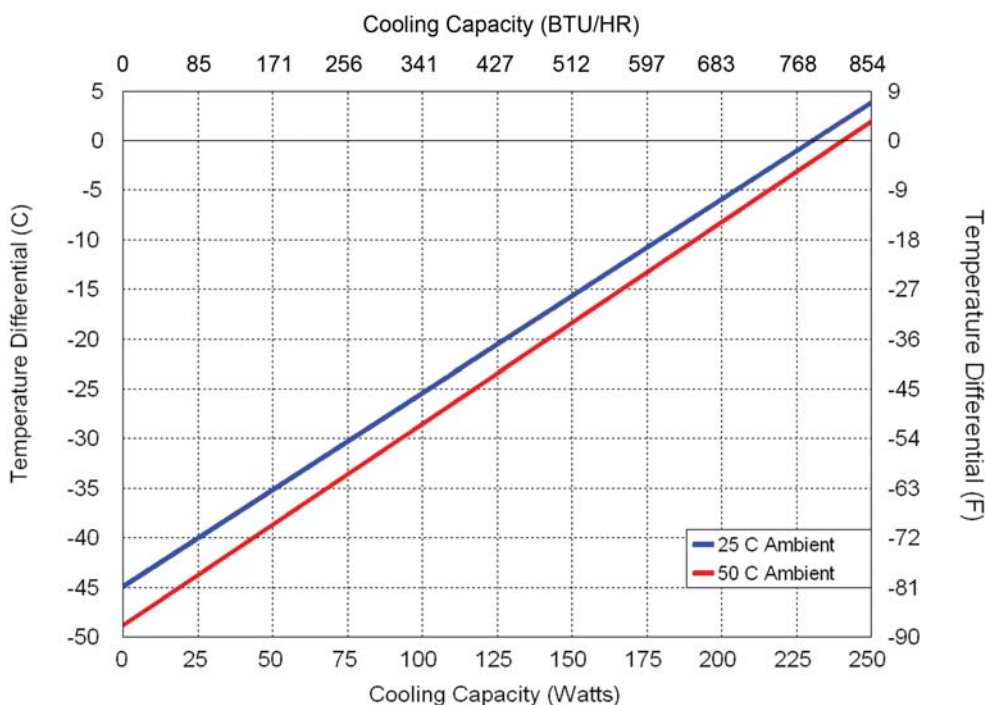
ENVIRONMENTS

- Bench top
- Laboratory
- Industrial

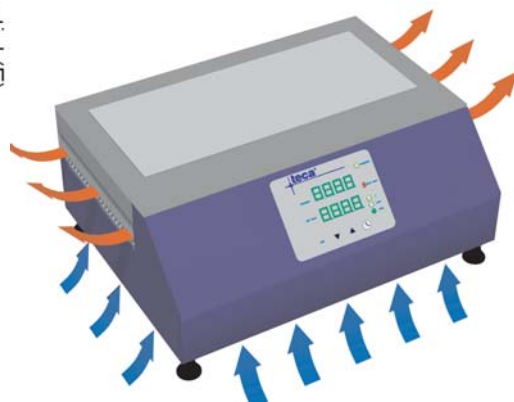
COOLING CAPACITY

230 - 240 Watts @ 0 °C ΔT

PERFORMANCE CURVE

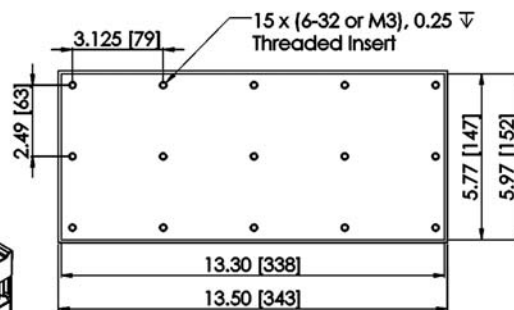
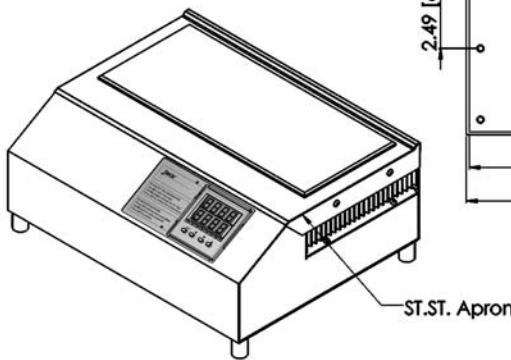
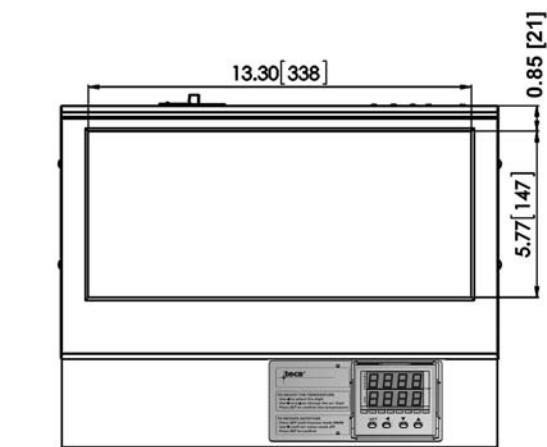


Equation of line: $y = \Delta T(^{\circ}C)$ $x = \text{Capacity (Watts)}$		
Ambient Temp	25°C	50°C
	$y = .195x - 44.9$	$y = .203x - 48.8$

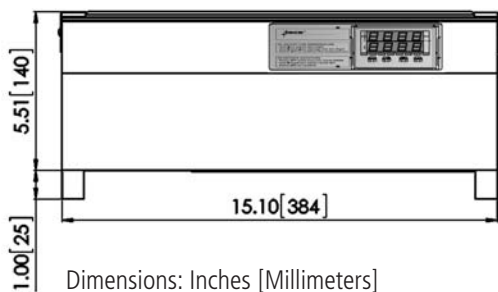


Ambient Air Path

DIMENSIONS



Standard Insert Pattern



Dimensions: Inches [Millimeters]

