

AHP-1200CP Cold Plate

Air Cooled
Bench Top

General purpose 24 VDC input
200 Watts

FEATURES

- Direct contact cooling as much as 46 °C below room temperature
- Weighs only 19 lbs. (8.6 kg)
- Mount thru bench top or enclosure wall
- No compressor, fluorocarbons or filters
- Virtually maintenance-free operation
- Stainless steel exterior housing
- Mounts in any orientation



INCLUDES

- Cold plate accessory tapped holes
- Cold plate mounting taps
- Rubber feet
- Power input leads

SPECIFICATIONS

MODEL	PART NUMBER	NOTES	PERFORMANCE RATING	VOLTAGE VDC	CURRENT AMPS.	WEIGHT LBS. (KG)	TEMP. CONTROL	OPERATING AMBIENT °C
AHP-1200CP	1-3095-0-000	Cool only	830-950	24(16-28)	9.0	18(8.2)	None	-15/+70
AHP-1200CP	1-3055-0-000	Cool only	830-950	24(16-28)	9.0	18(8.2)	EXT *	-15/+70
AHP-1200CPHC	1-3055-1-000	Heat/Cool	830-950	24(16-28)	9.0	19(8.6)	EXT †	-15/+70

* Unit is set for 5-32 VDC external control signal, relay included

† Unit is set for 5-32 VDC external control signal, H-Bridge relay(s) included

AHP-1200CP

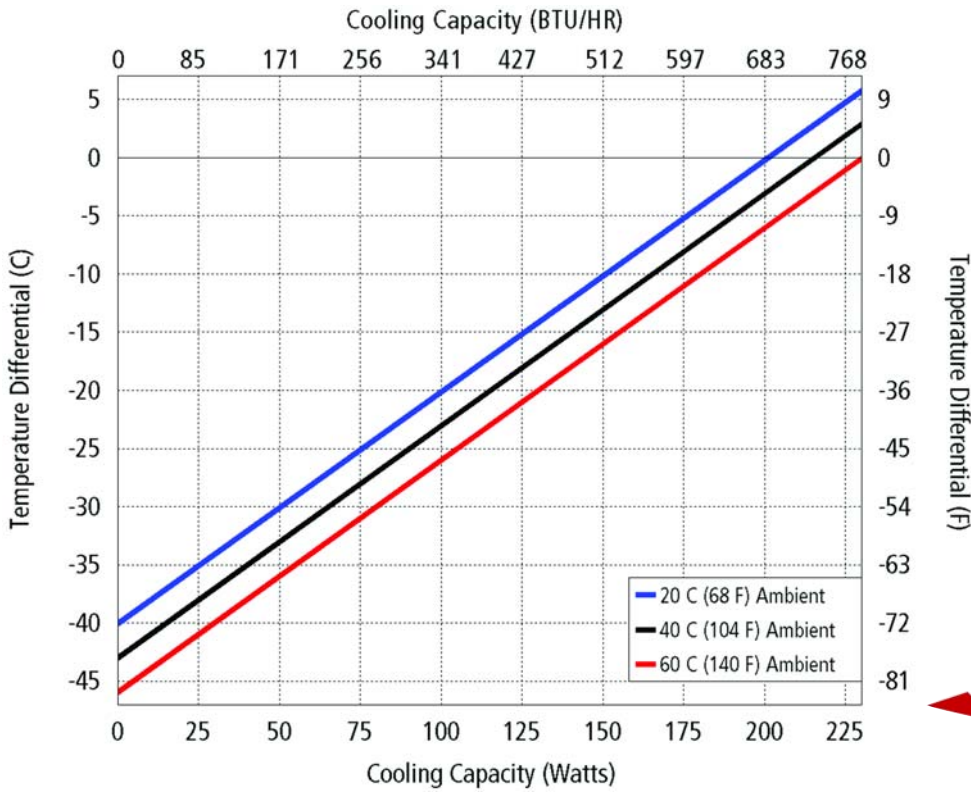
ENVIRONMENTS

- Bench top
- Factory
- Industrial/OEM

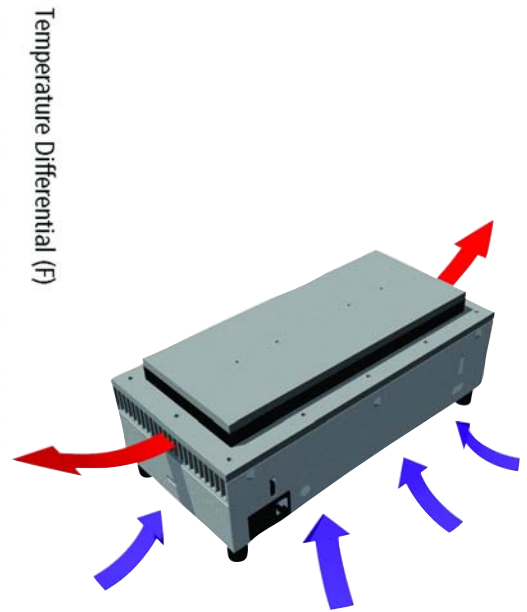
COOLING CAPACITY

200 Watts @ 0 °C ΔT

PERFORMANCE CURVE

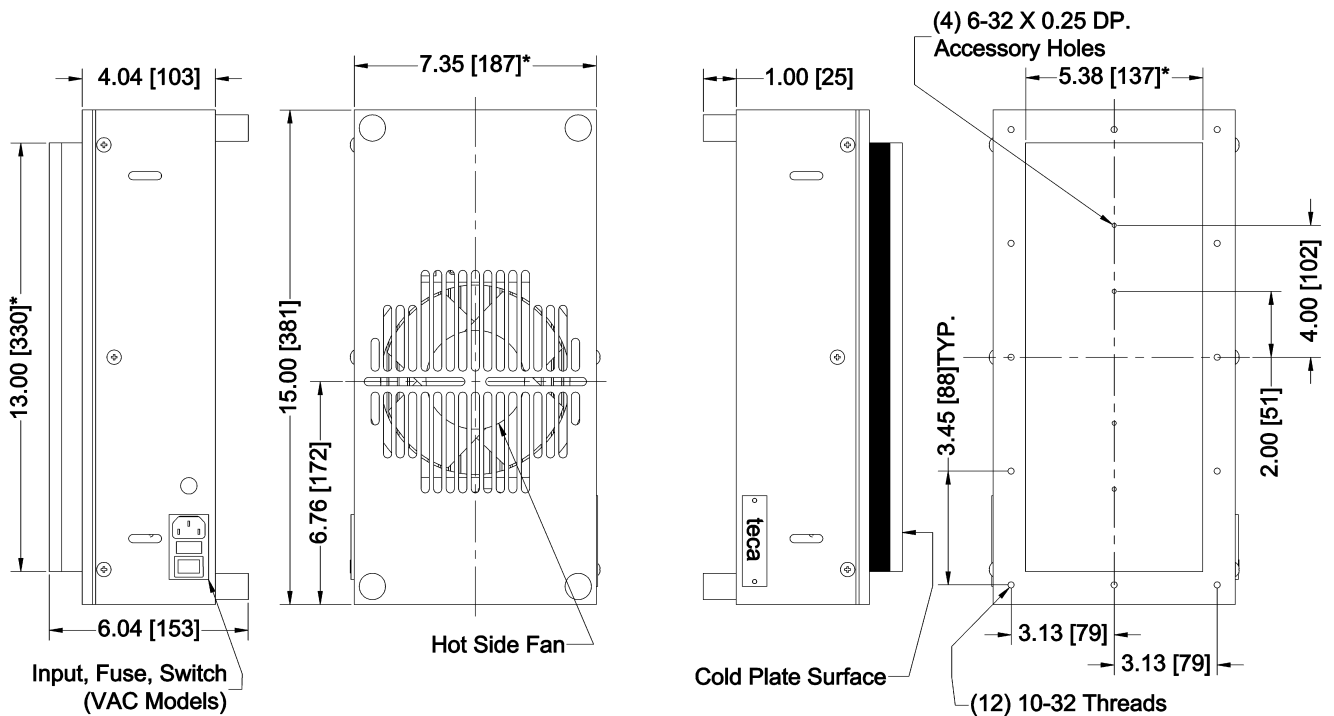


Equation of line: $y = \Delta T(^{\circ}C)$ $x = \text{Capacity (Watts)}$			
Ambient Temp	20°C	40°C	60°C
Cold Plate	$y = .199x - 40.0$	$y = .199x - 43.0$	$y = .199x - 46.0$



Ambient Air Path

DIMENSIONS



* Dimension does not include hardware and sealant.
Dimension: Inches [Millimeters]