



AHP-4252

Air Conditioner/Heat Exchanger

Air Cooled
Through Mounted
Nema-12, 4, 4X

240 VAC Input
High Efficiency
2745 BTU/HR



FEATURES

- High capacity thermoelectric design
- Power saving air to air heat exchanger mode (ECO-Mode)
- Heavy duty full perimeter mounting
- Lower profile intrusion into enclosure
- Central input cord for easy mounting
- Closed loop design
- Condensate control and evaporation system
- Increased efficiency at higher ambients by as much as 10%
- Virtually maintenance free
- No compressor
- Environmentally friendly and safe
- Stainless Steel exterior housing
- Mounts and operates in any orientation
- Integral temperature controller
- Weight 110 LBS.

CONTROL TEMPERATURES

Active Cooling	35 °C
Heat Exchanger (ECO-Mode)	25 °C
Active Heating	10 °C
Typical Hysteresis	5 °C
Operating Ambient	-40/+65 °C
Operating Enclosure	-10/+60 °C

POWER INPUTS

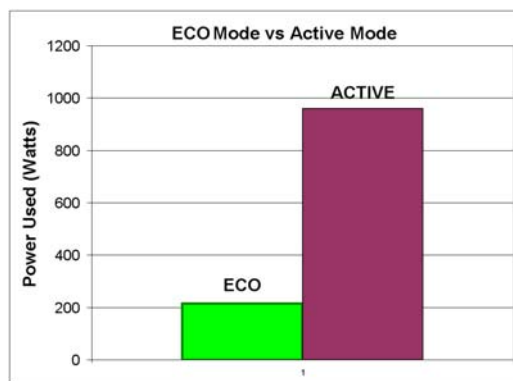
Voltage	240 VAC
Current, Active	4.0 AMPS
Current , ECO-Mode	0.9 AMP
Frequency	50/60 Hz

PERFORMANCE RATINGS

Cooling (Traditional)	2745 BTU/HR
Cooling (Din 3168)	805 WATTS
Cooling COP (at L35 L35)	0.84
Heating (Traditional)	> 3270 BTU/HR
Heating (Din 3168)	> 960 WATTS
Heating COP	> 1.0
Heat Exchanger (ECO-Mode)	30 W/°C

INCLUDES

- Power supply
- Temperature controller
- Power saving heat exchanger mode (ECO-Mode)
- Mounting gasket
- Mounting hardware
- Power input cord
- Circuit breaker



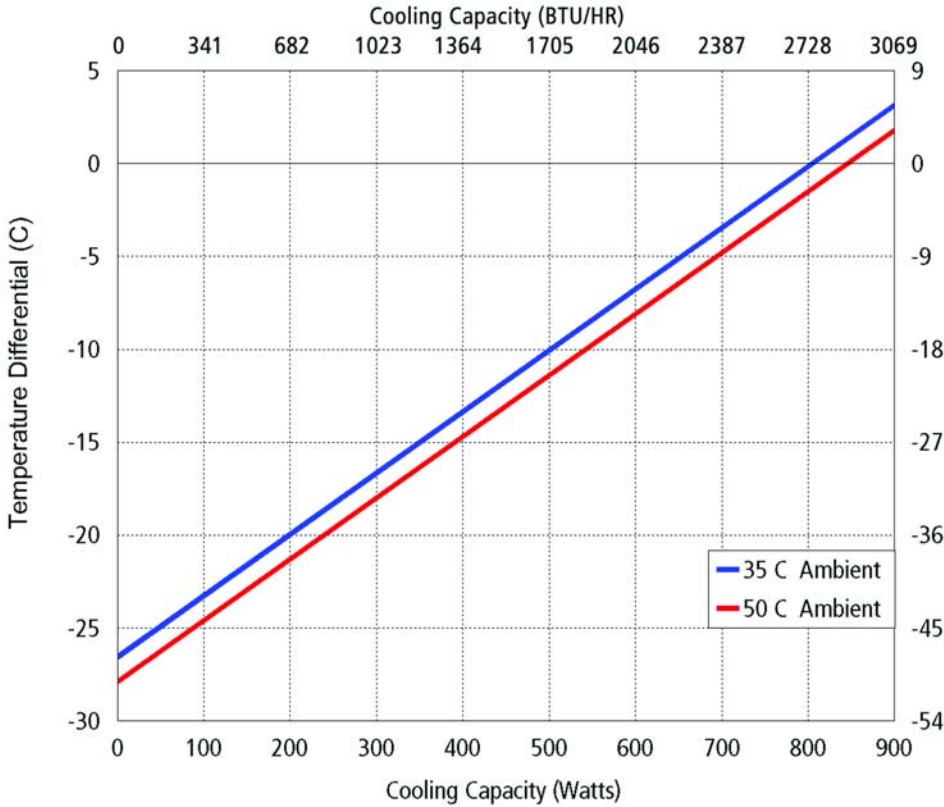
250 VDC configuration for crane applications available

CONFIGURATIONS

MODEL	PART NUMBER	NOTES	TEMPERATURE CONTROL	ENVIRONMENT
AHP-4252	0-J4J2-0-000	Cool only, industrial fans & power supply	TC-4F	NEMA-12, IP 52
AHP-4252HC	0-J4I2-1-000	Heat/Cool, industrial fans & power supply	TC-7F	NEMA-12, IP 52
AHP-4252XE	0-J4J2-4-000	Cool only, sealed hot side fans & power supply	TC-4F	NEMA-4, IP 56
AHP-4252XEHC	0-J4I2-5-000	Heat/Cool, sealed hot side fans & power supply	TC-7F	NEMA-4, IP 56
AHP-4252X	0-J4J2-2-000	Cool only, Mil. grade hot side fans & power supply	TC-4F	NEMA-4X, IP 56
AHP-4252XHC	0-J4I2-3-000	Heat/Cool, Mil. grade hot side fans & power supply	TC-7F	NEMA-4X, IP 56

AHP-4252

PERFORMANCE CURVE



Equation of line: $y = \Delta T(^{\circ}C)$ $x = \text{Capacity (Watts)}$		
Ambient Temp	35°C	50°C
Enclosure Air	$y = -.033x - 26.5$	$y = -.033x - 27.9$
Cold Sink	$y = -.025x - 26.5$	$y = -.025x - 27.9$

MOUNTING STYLE

Through Mounted

ENVIRONMENTS SERVED

NEMA-12 IP 52

NEMA-4,4X IP 56

RATING (TRADITIONAL)

2745 BTU/hr @ 0 °F ΔT

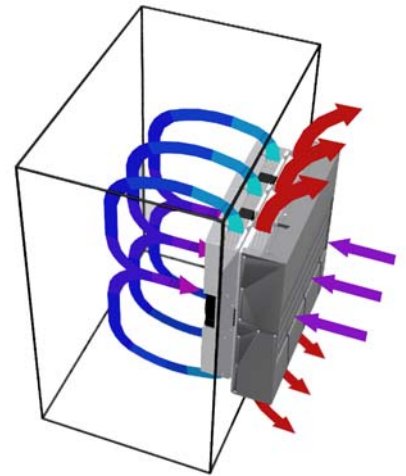
3890 BTU/hr @ +20 °F ΔT

RATING (DIN 3168)

805 Watts L35 L35

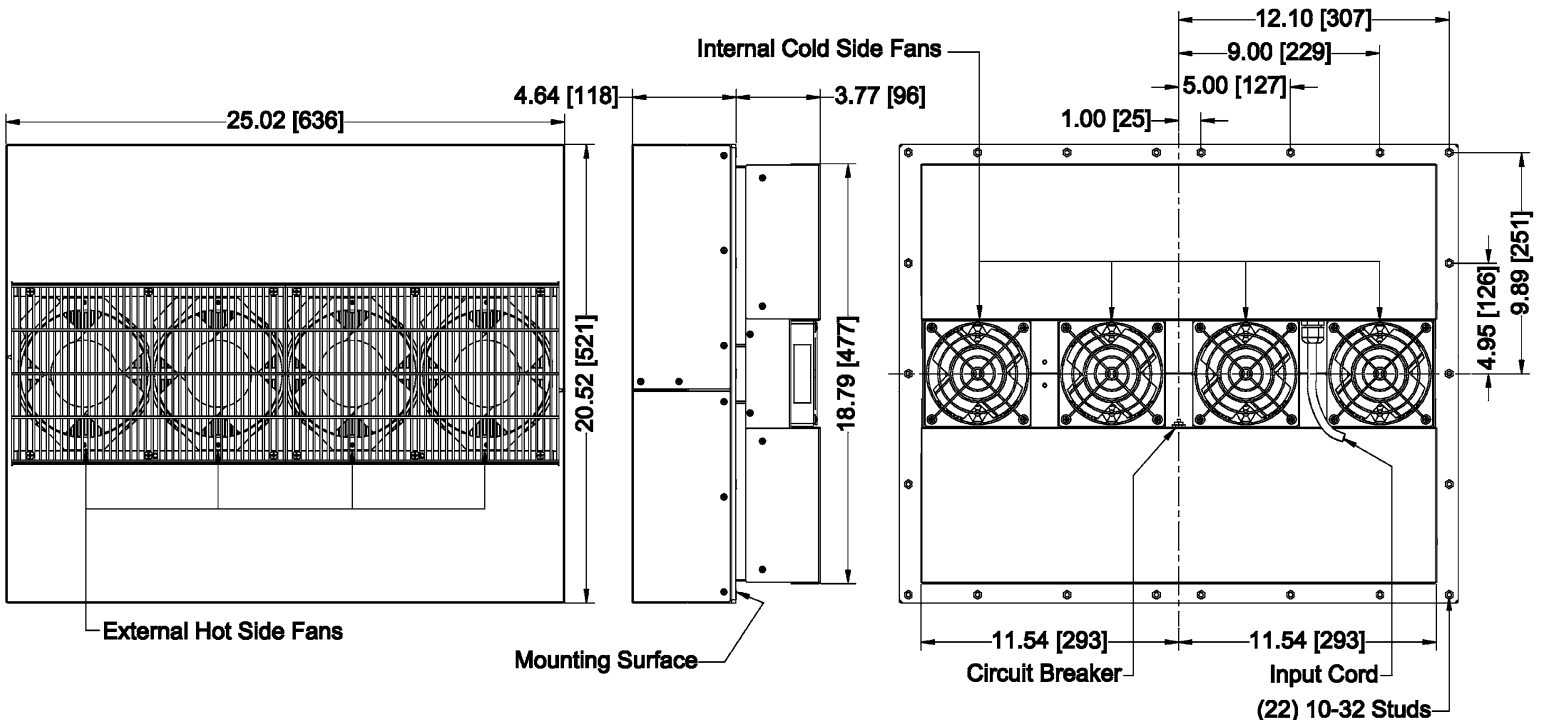
390 Watts L35 L50

Temperature Differential (F)



Air Flow Pattern

DIMENSIONS



Dimensions do not include hardware
 Mounting hardware and gasket included but not shown
 Dimensions: Inches [Millimeters]

Mounting Cutout
 23.20X18.90 [589X480]