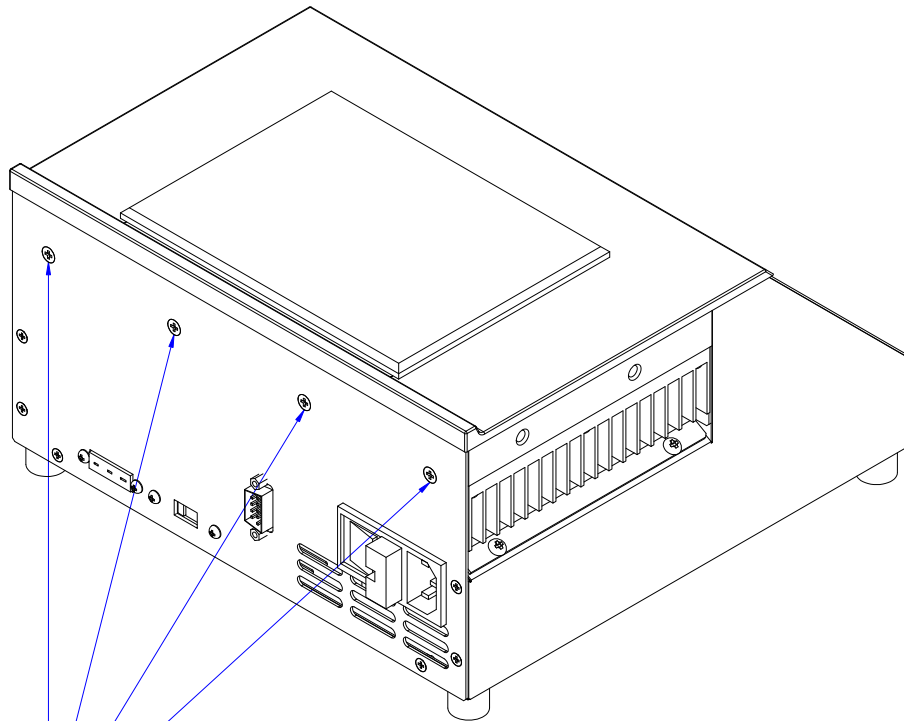
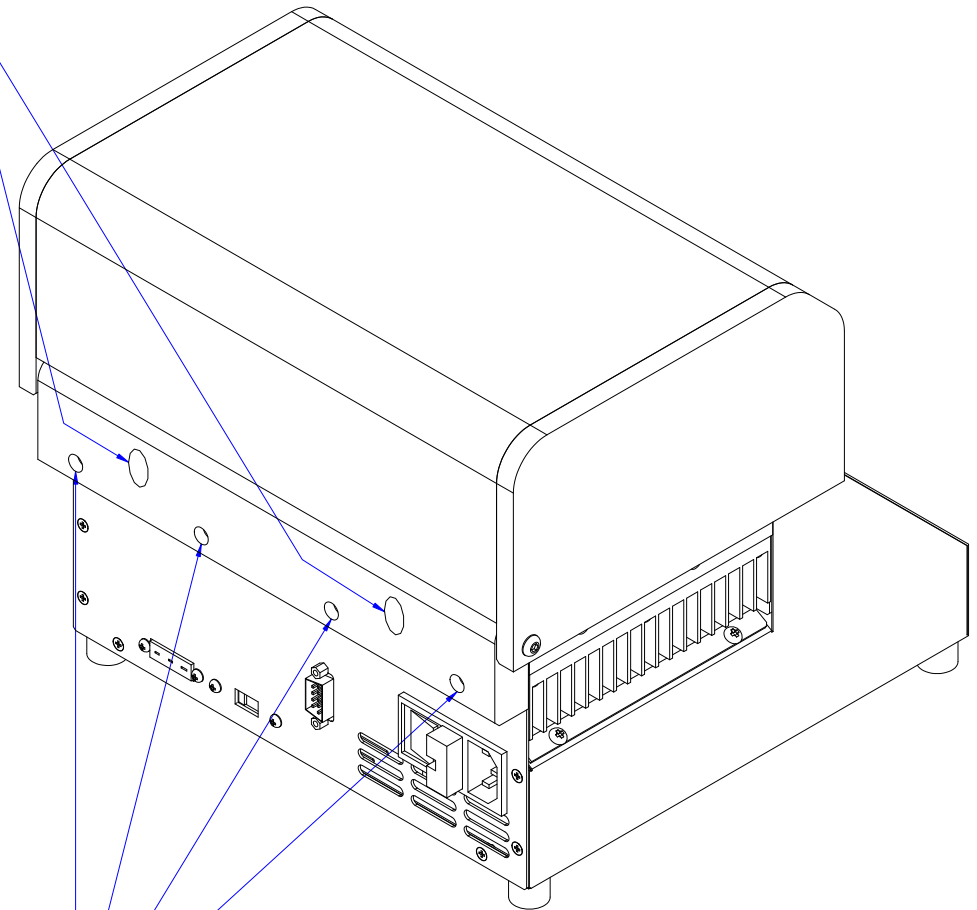


If test or sample leads are needed in the cold plate area remove one or both of these plugs and thread the wires through the hole(s)



1) Unscrew and remove these four screws



2) Install CH-301 with included four pan head screws and star washers.

INFORMATION DISCLOSED HEREIN IS THE CONFIDENTIAL PROPERTY OF TECA CORP. RECIPIENT SHALL NOT USE THE INFORMATION IN ANY UNAUTHORIZED MANNER.

UNLESS OTHERWISE SPECIFIED DIMENSIONS ARE IN INCHES TOLERANCES ARE:

DECIMALS	ANGLE
.XX +/-	+/-
.XXX +/-	FRACTION +/-

FINISH:

MATERIAL:

THERMOELECTRIC COOLING AMERICA CORP.

CH-301
AHP-301CPV COVER AND HINGE
INSTALLATION

DRAWN BY: AA

DRAWING #

DATE: 01/06/09

SK090104

REV LEVEL

D7433

SCALE

MASTER:

SK090101

SHEET

REV	DESCRIPTION	Date	APPROVED