

AHP-300CP Cold Plates

Air Cooled

General Purpose VDC Input

85 Watts

FEATURES

- Direct contact cooling as much as 51 °C below room temperature
- No compressor, fluorocarbons or filters
- Virtually maintenance-free operation
- Mounts in any orientation

INCLUDES

- Cold plate accessory tapped holes
- Machined surface
- Terminal strip for wire hook up



SPECIFICATIONS AHP-300CP

MODEL	PART NUMBER	NOTES	PERFORMANCE RATING BTU/HR	VOLTAGE VDC	CURRENT AMPS.	WEIGHT LBS. (KG)	TEMP. CONTROL	OPERATING AMBIENT °C
AHP-300CP	1-7097-0-000	Cool only	290-330	12/24/48	12/6/3	6(2.7)	None	-10/+60
AHP-300CPHC	1-7094-1-000	Heat/Cool	290-330	12	12	6(2.7)	None	-10/+60
AHP-300CPHC	1-7095-1-000	Heat/Cool	290-330	24	6	6(2.7)	None	-10/+60
AHP-300CPHC	1-7097-1-001	Heat/Cool Rev. Pol.*	290-330	12/24/48	12/6/3	6(2.7)	None*	-10/+60

Note: Options for temperature control, consult factory

* Heat function via reverse polarity (requires controller with H-Bridge)

AHP-300CP

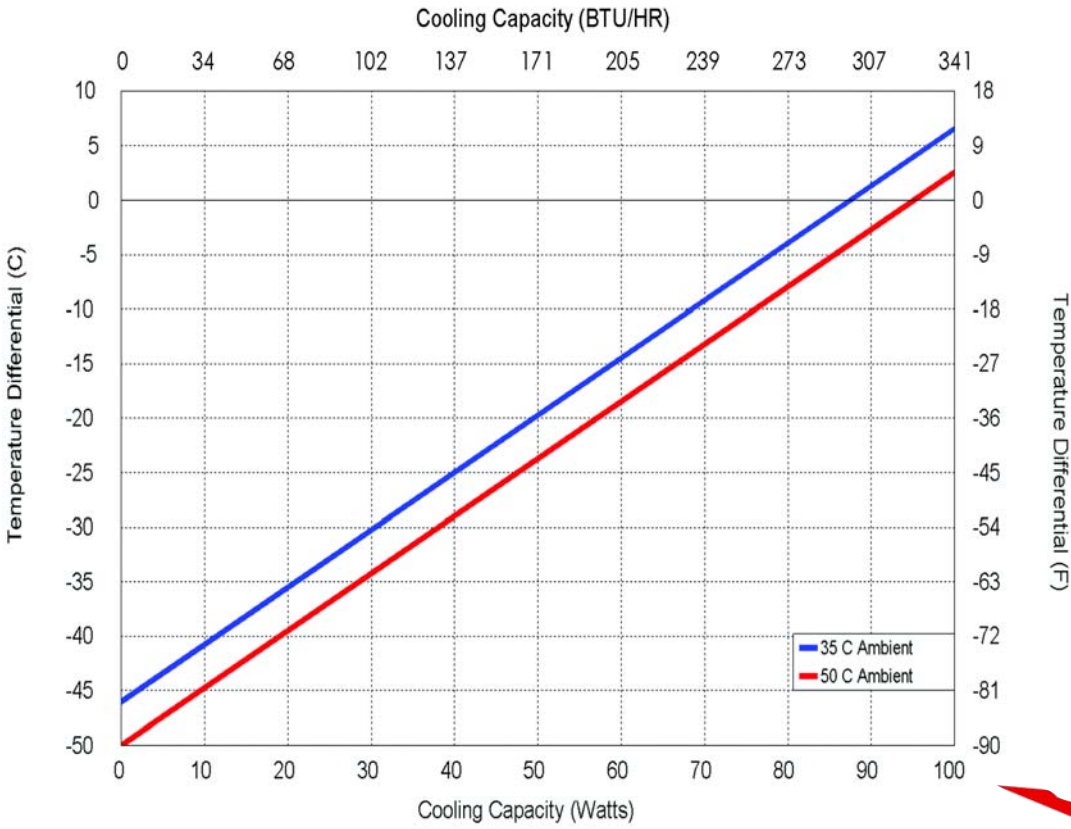
ENVIRONMENTS

Bench Top, Factory, Industrial, OEM

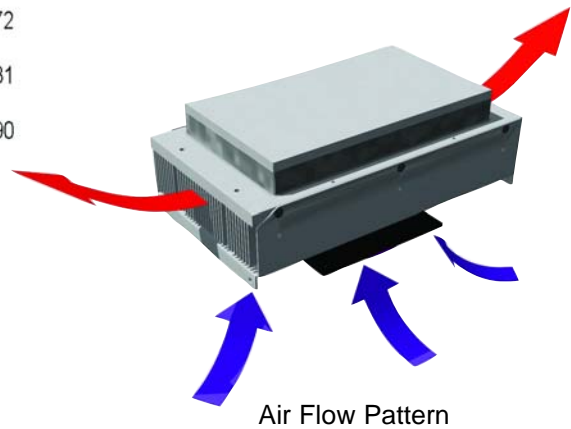
COOLING CAPACITY

85 Watts @ 0 °C ΔT

PERFORMANCE CURVE

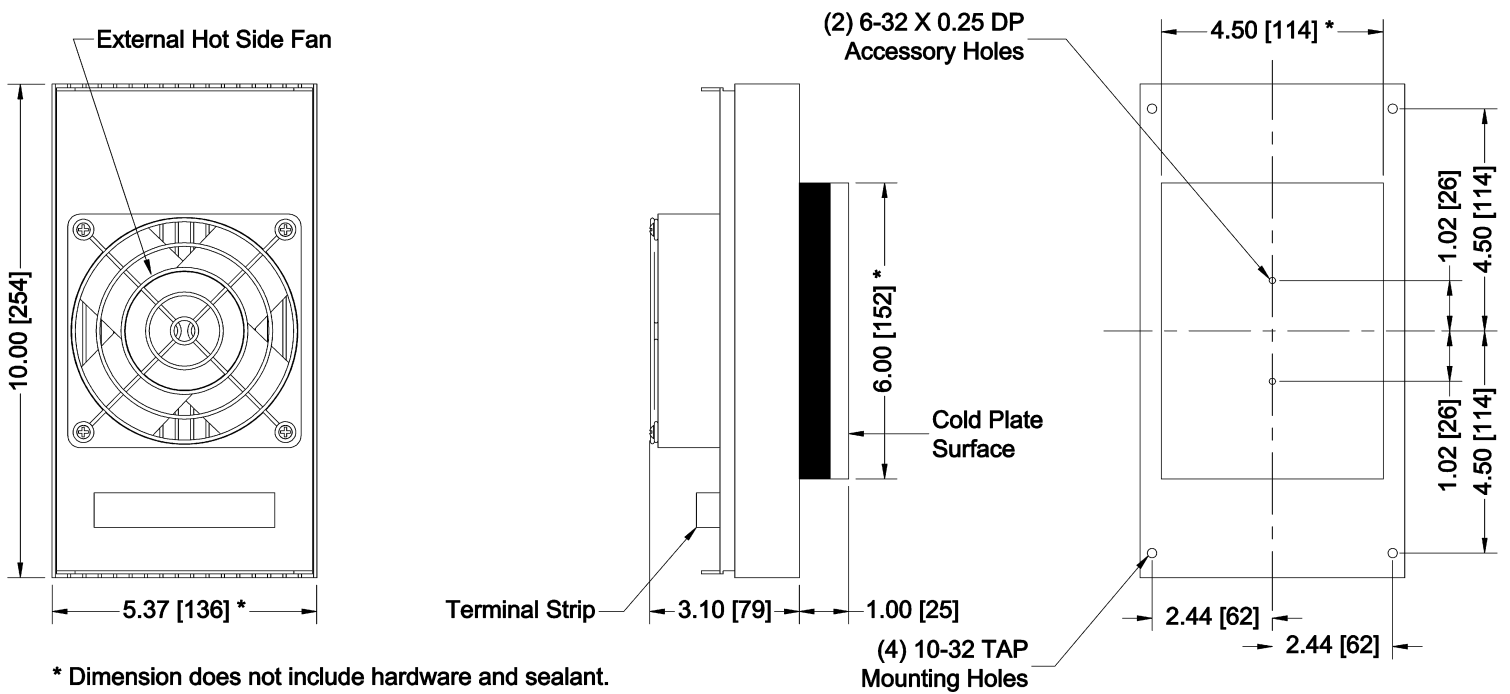


Equation of line: $y = \Delta T(^{\circ}C)$ $x = \text{Capacity (Watts)}$			
Ambient Temp	20°C	40°C	60°C
300CP Cold Plate	$y = .526x - 45.0$	$y = .526x - 48.0$	$y = .526x - 51.0$



Air Flow Pattern

DIMENSIONS



* Dimension does not include hardware and sealant.
Dimensions: Inches [Millimeters]