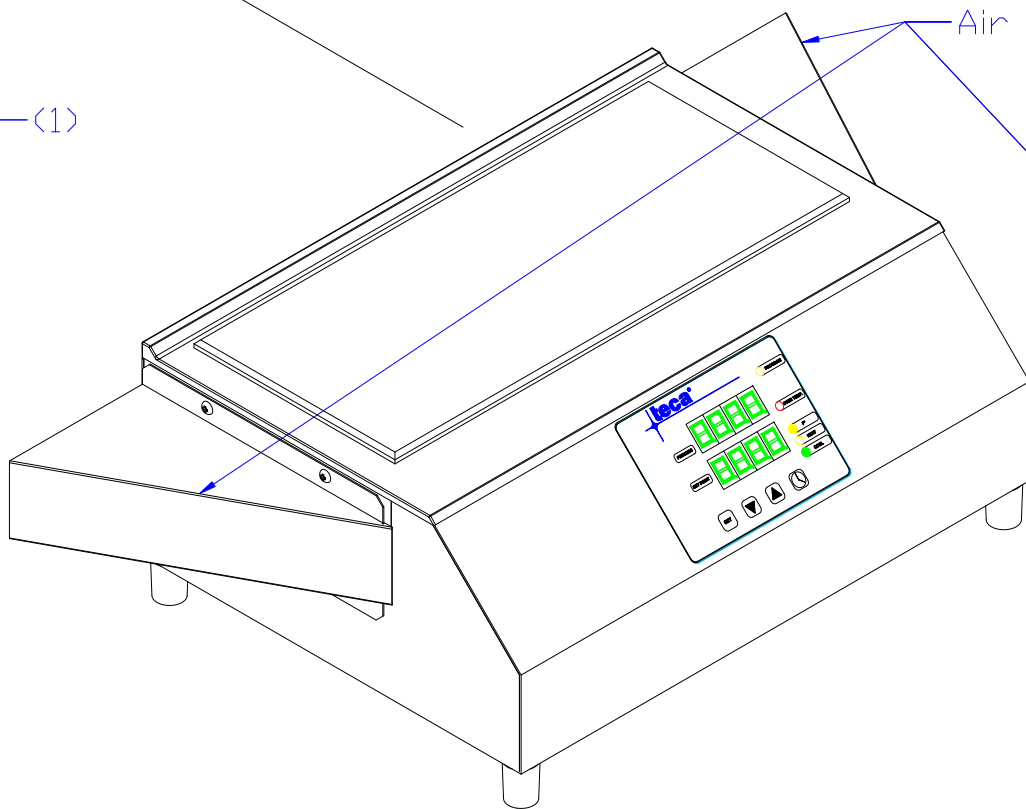
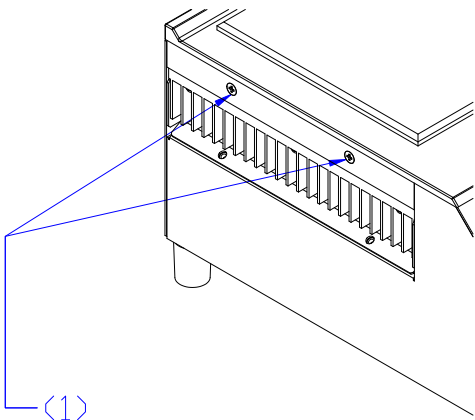


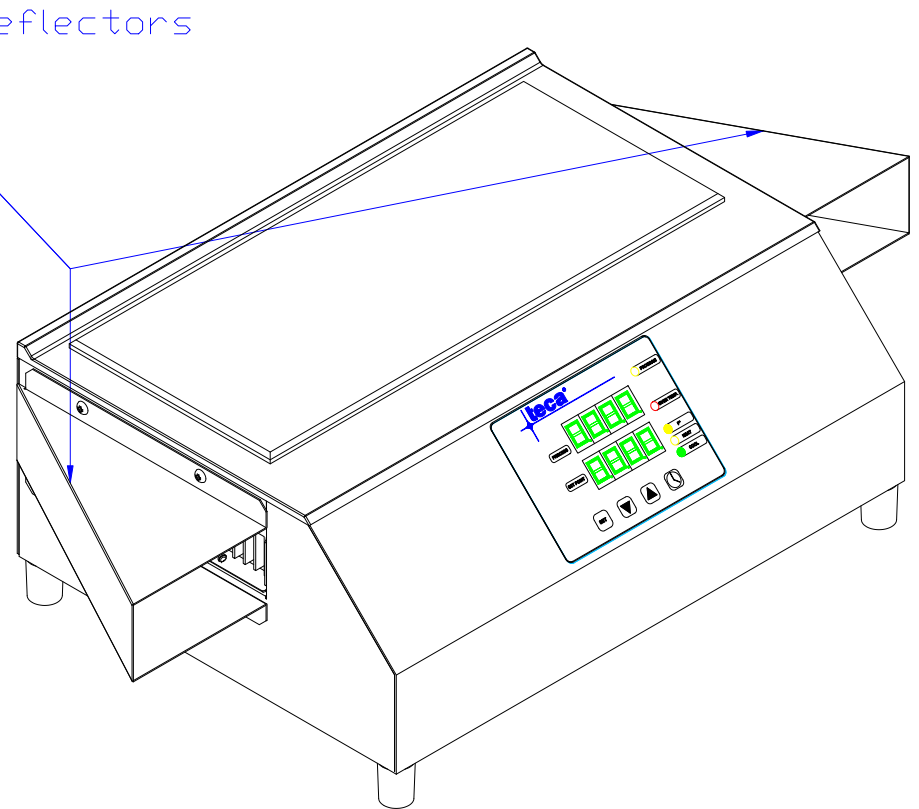
Notes:

- (1) Unscrew and remove four finishing flat head screws (two per side).
- (2) Install AD-1200 Air Deflectors on the AHP-1200CPV using four included 6-32X3/8 truss head screws (two screws for each air deflector).

The air deflectors are reversible and could be installed in either of two ways shown below.



Rear exhaust installation



Front exhaust installation

INFORMATION DISCLOSED HEREIN IS THE CONFIDENTIAL PROPERTY OF TECA CORP. RECIPIENT SHALL NOT USE THE INFORMATION IN ANY UNAUTHORIZED MANNER.	UNLESS OTHERWISE SPECIFIED DIMENSIONS ARE IN INCHES TOLERANCES ARE: DECIMALS .XX +/- .015 .XXX +/- .005 ANGLE +/- .5° FRACTION +/- 1/32	THERMOELECTRIC COOLING AMERICA CORP.			
		AD-1200 AIR DEFLECTOR INSTALLATION			
FINISH: SEE NOTES	MATERIAL: 0.03 THICK ST.ST. TYPE 304	DRAWN BY: AA	DRAWING # SK080708		REV LEVEL
		DATE: 07/07/08	SCALE: D7239	MASTER: SK080706	SHEET

REV	DESCRIPTION	Date	APPROVED