



AHP-1800

Air Conditioner

Air Cooled
Through Mounted
NEMA-12, 4, 4X

24 VDC Input
High Efficiency
1100 BTU/HR



FEATURES

- High capacity thermoelectric design
- Lower profile intrusion into enclosure
- Closed loop design
- Condensate control and evaporation system
- Compact
- Increased efficiency at higher ambients by as much as 12%
- Virtually maintenance free
- No compressor
- Environmentally friendly and safe
- Stainless Steel exterior housing
- Mounts and operates in any orientation
- Integral temperature controller
- Operating ambient temperature range -40/+70 °C
- Operating enclosure temperature range -10/+60 °C
- Easy to use Pivot Clean feature
- Weight 55 LBS.
- Agency approvals: UL 1995, CSA 22.2, CE

POWER INPUTS

Voltage	24 VDC
Current, Active	18 AMPS
Current, ECO-Mode	1.9 AMPS

PERFORMANCE RATINGS

Cooling (Traditional)	1100 BTU/HR
Cooling (Din 3168)	322 WATTS
Cooling COP (at L35 L35)	0.74
Heating (Traditional)	> 1473 BTU/HR
Heating (Din 3168)	> 432 WATTS
Heating COP	> 1.0

INCLUDES

- Temperature controller
- Mounting gasket
- Mounting hardware
- Power input leads

CONFIGURATIONS

MODEL	PART NUMBER	NOTES	TEMPERATURE CONTROL	ENVIRONMENT
AHP-1800	0-0195-0-000	Cool only	None	NEMA-12, IP 52
AHP-1800	0-0185-0-000	Cool only	TC-6F	NEMA-12, IP 52
AHP-1800	0-01F5-0-000	Cool only	TC-1F	NEMA-12, IP 52
AHP-1800	0-0155-0-000	Cool only	EXT*	NEMA-12, IP 52
AHP-1800HC	0-0135-1-000	Heat/Cool	TC-3F	NEMA-12, IP 52
AHP-1800HC	0-0115-1-000	Heat/Cool	TC-7F	NEMA-12, IP 52
AHP-1800HC	0-0155-1-000	Heat/Cool	EXT*	NEMA-12, IP 52
AHP-1800HC	0-01H5-1-000	Heat/Cool	TC-4600	NEMA-12, IP 52
AHP-1800XE	0-0195-4-000	Cool only	None	NEMA-4/4X, IP 56
AHP-1800XE	0-0185-4-000	Cool only	TC-6F	NEMA-4/4X, IP 56
AHP-1800XE	0-01F5-4-000	Cool only	TC-1F	NEMA-4/4X, IP 56
AHP-1800XE	0-0155-4-000	Cool only	EXT*	NEMA-4/4X, IP 56

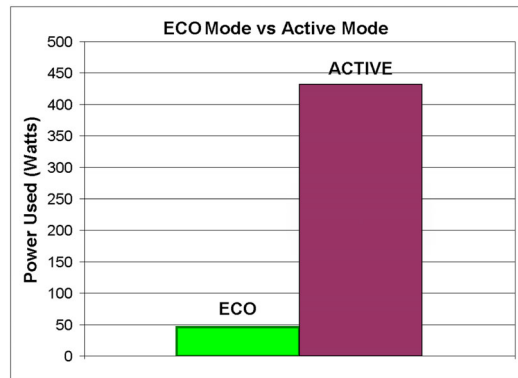
MODEL	PART NUMBER	NOTES	TEMPERATURE CONTROL	ENVIRONMENT
AHP-1800XEHC	0-0135-5-000	Heat/Cool	TC-3F	NEMA-4/4X, IP 56
AHP-1800XEHC	0-0115-5-000	Heat/Cool	TC-7F	NEMA-4/4X, IP 56
AHP-1800XEHC	0-0155-5-000	Heat/Cool	EXT*	NEMA-4/4X, IP 56
AHP-1800XEHC	0-01H5-5-000	Heat/Cool	TC-4600	NEMA-4/4X, IP 56
AHP-1800X	0-0195-2-000	Cool only	None	NEMA-4X/Harsh, IP 56
AHP-1800X	0-0185-2-000	Cool only	TC-6F	NEMA-4X/Harsh, IP 56
AHP-1800X	0-01F5-2-000	Cool only	TC-1F	NEMA-4X/Harsh, IP 56
AHP-1800X	0-0155-2-000	Cool only	EXT*	NEMA-4X/Harsh, IP 56
AHP-1800XHC	0-0135-3-000	Heat/Cool	TC-3F	NEMA-4X/Harsh, IP 56
AHP-1800XHC	0-0115-3-000	Heat/Cool	TC-7F	NEMA-4X/Harsh, IP 56
AHP-1800XHC	0-0155-3-000	Heat/Cool	EXT*	NEMA-4X/Harsh, IP 56
AHP-1800XHC	0-01H5-3-000	Heat/Cool	TC-4600	NEMA-4X/Harsh, IP 56

* Unit is set for 5-32 VC external signal, relay(s) included

Consult factory for full shock and vibration models

CONTROL TEMPERATURES

Temp. Control	Active Heat °C	ECO-Mode °C	Active Cool °C
TC-1F	-	-	35
TC-6F	-	-	25 or 35
TC-3F	10	-	35
TC-7F	10	25	35



250 VDC configuration for crane applications available

AHP-1800

MOUNTING STYLE

Through Mounted

ENVIRONMENTS SERVED

NEMA-12 IP 52

NEMA-4,4X IP 56

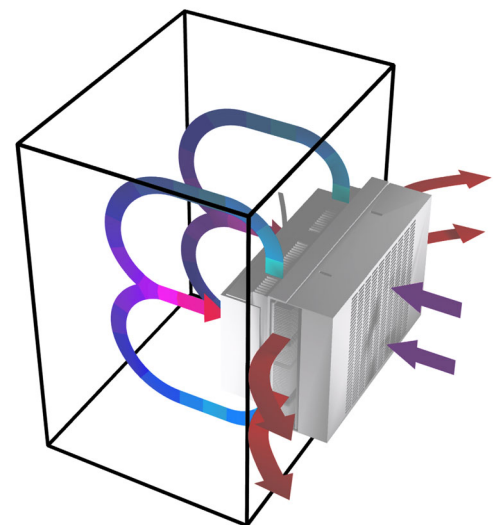
RATING (TRADITIONAL)

1100 BTU/hr @ 0 °F ΔT

RATING (DIN 3168)

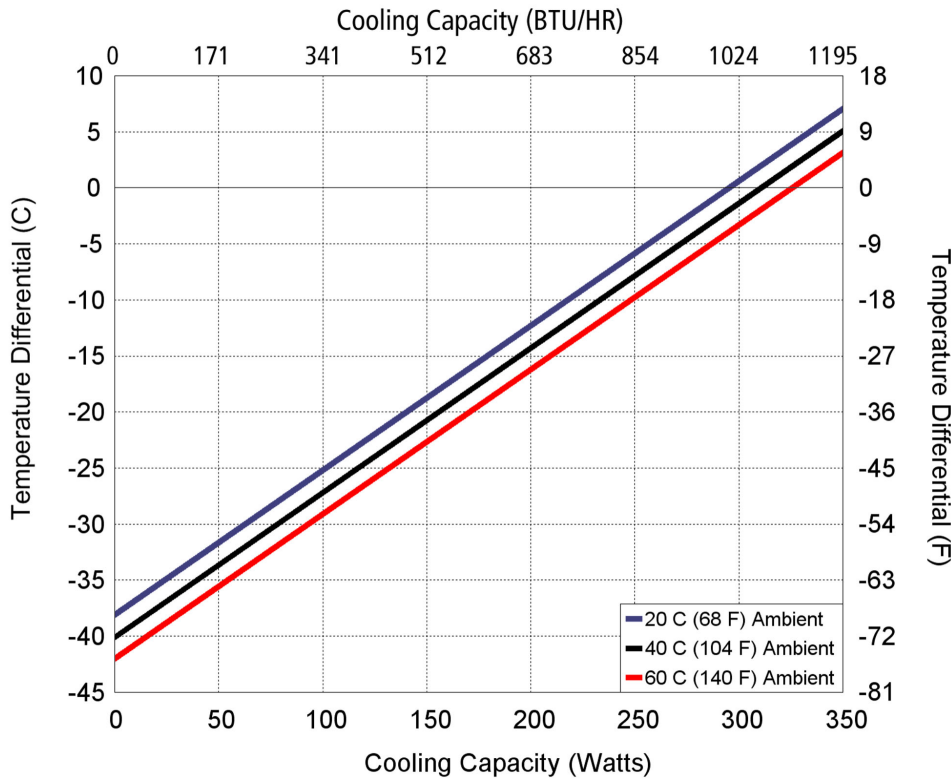
322 Watts L35 L35

210 Watts L35 L50



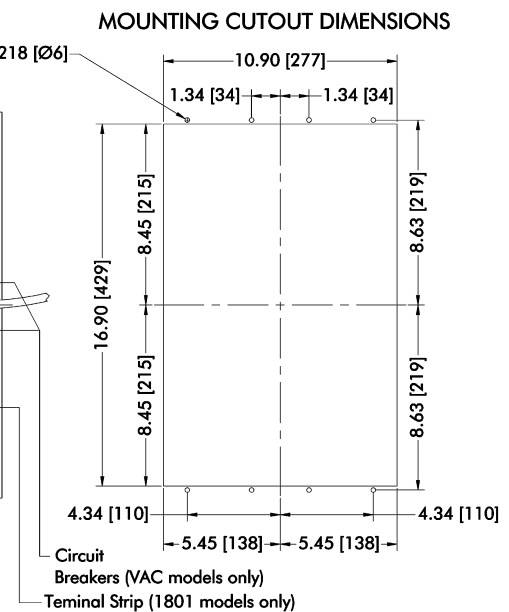
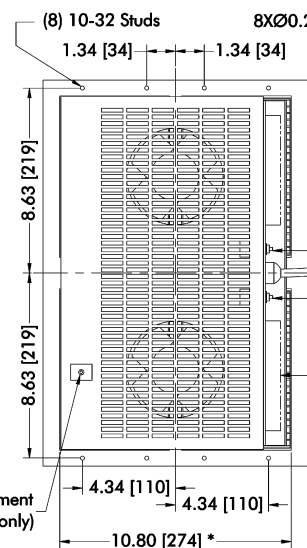
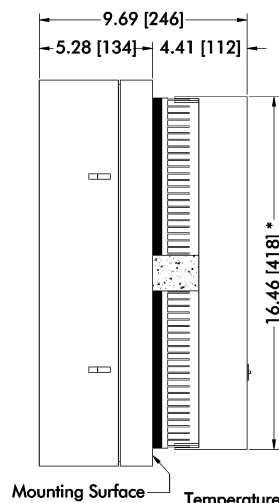
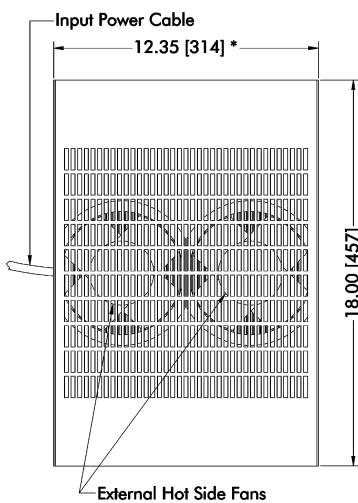
Air Flow Pattern

PERFORMANCE CURVE



Ambient Temp	20°C	40°C	60°C
Enclosure Air	$y = .129x - 38.1$	$y = .129x - 40.1$	$y = .129x - 42.0$
Cold Sink	$y = .09x - 38.1$	$y = .09x - 40.1$	$y = .09x - 42.0$

DIMENSIONS



* Dimension does not include hardware and sealant.
Mounting hardware and gasket included but not shown.
Dimensions: Inches [Millimeters]