

# AHP-1800

# Hazardous Location Air Conditioner

Air Cooled  
Through Mounted  
NEMA-12, 4X, Class I Div 2

120 VAC, 240 VAC Input  
1100 BTU/HR  
Hazardous Locations

## FEATURES

- Compact, (18" L X 12.35" W X 9.69" D)
- Excels in high ambient temperatures
- Environmentally Safe
- Dual voltage versions available, consult factory.
- No compressor, fluorocarbons or filters
- Virtually maintenance-free operation
- Stainless steel exterior housing
- Versions to withstand corrosive environments, shock and vibration
- Mounts and operates in any orientation
- Groups A, B, C, D
- Easy to use Pivot Clean feature
- Agency approvals: UL 1604, UL 1995, CSA 22.2

## INCLUDES

- Adjustable temperature control
- Mounting gasket and hardware
- Power input line cord

## OPTIONS

- Other temperature settings for single set point controls



## SPECIFICATIONS

MODEL	PART NUMBER	VOLTAGE VAC 50/60 HZ	CURRENT AMPS.	WEIGHT LBS.(KG)	TEMP. CONTROL	OPERATING AMBIENT TEMPERATURE RANGE °C	OPERATING ENCLOSURE TEMPERATURE RANGE °C	ENVIRONMENT
AHP-1800EP	0-0180-0-002	120	8.0	46(21)	TC-6F	-40/+63	-10/+60	NEMA-12
AHP-1800EP	0-01F0-0-002	120	8.0	46(21)	TC-1F	-40/+63	-10/+60	NEMA-12
AHP-1800EP-1	0-0170-0-004	120	8.0	46(21)	EXT*	-40/+63	-10/+60	NEMA-12
AHP-1800EPHC	0-0130-1-003	120	8.0	46(21)	TC-3F	-40/+63	-10/+60	NEMA-12
AHP-1800EPHC-1	0-0170-1-006	120	8.0	46(21)	EXT*	-40/+63	-10/+60	NEMA-12
AHP-1801EP	0-0181-0-002	120/240	8.0/5.0	46(21)	TC-6F	-40/+63	-10/+60	NEMA-12
AHP-1801EP	0-01F1-0-002	120/240	8.0/5.0	46(21)	TC-1F	-40/+63	-10/+60	NEMA-12
AHP-1801EP-1	0-0171-0-002	120/240	8.0/5.0	46(21)	EXT*	-40/+63	-10/+60	NEMA-12
AHP-1801EPHC	0-0131-1-003	120/240	8.0/5.0	46(21)	TC-3F	-40/+63	-10/+60	NEMA-12
AHP-1801EPHC-1	0-0131-1-006	120/240	8.0/5.0	46(21)	EXT*	-40/+63	-10/+60	NEMA-12
AHP-1800XP	0-0180-2-002	120	8.0	47(21.4)	TC-6F	-40/+75	-10/+60	NEMA-4X/Harsh
AHP-1800XP	0-01F0-2-002	120	8.0	47(21.4)	TC-1F	-40/+75	-10/+60	NEMA-4X/Harsh
AHP-1800XP-1	0-0170-2-004	120	8.0	47(21.4)	EXT*	-40/+75	-10/+60	NEMA-4X/Harsh
AHP-1800XPHC	0-0130-3-003	120	8.0	47(21.4)	TC-3F	-40/+75	-10/+60	NEMA-4X/Harsh
AHP-1800XPHC-1	0-0170-3-006	120	8.0	47(21.4)	EXT*	-40/+75	-10/+60	NEMA-4X/Harsh
AHP-1801XP	0-0181-2-002	120/240	8.0/5.0	47(21.4)	TC-6F	-40/+75	-10/+60	NEMA-4X/Harsh
AHP-1801XP	0-01F1-2-002	120/240	8.0/5.0	47(21.4)	TC-1F	-40/+75	-10/+60	NEMA-4X/Harsh
AHP-1801XP-1	0-0171-2-005	120/240	8.0/5.0	47(21.4)	EXT*	-40/+75	-10/+60	NEMA-4X/Harsh
AHP-1801XPHC	0-0131-3-003	120/240	8.0/5.0	47(21.4)	TC-3F	-40/+75	-10/+60	NEMA-4X/Harsh
AHP-1801XPHC-1	0-0171-3-004	120/240	8.0/5.0	47(21.4)	EXT*	-40/+75	-10/+60	NEMA-4X/Harsh

\* Unit is set for 5-32 VDC external signal, relay(s) included

Consult factory for shock and vibration models

# AHP-1800EP

## MOUNTING STYLE

Through Mounted

## ENVIRONMENTS SERVED

Class I Div 2 NEMA-12 IP 52

Class I Div 2 NEMA-4X IP 56

## RATING (TRADITIONAL)

1100 BTU/hr @ 0 °F ΔT

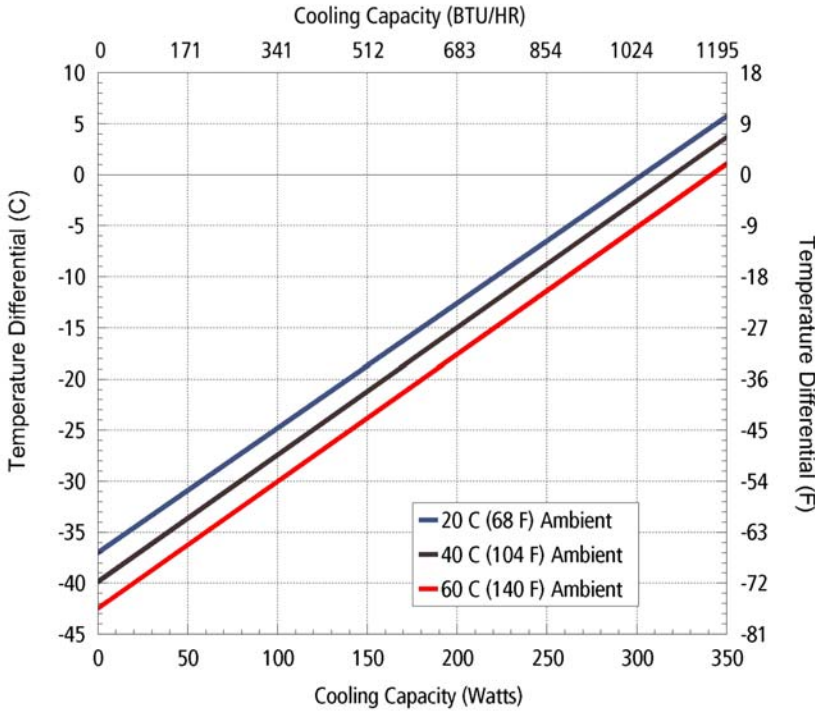
1420 BTU/hr @ +20 °F ΔT

## RATING (DIN 3168)

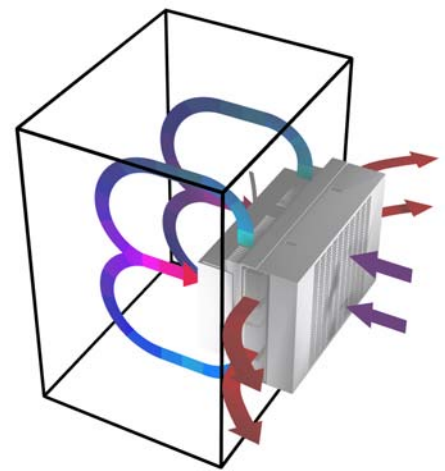
322 Watts L35 L35

210 Watts L35 L50

## PERFORMANCE CURVE

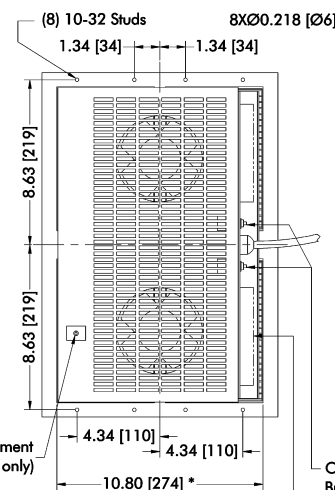
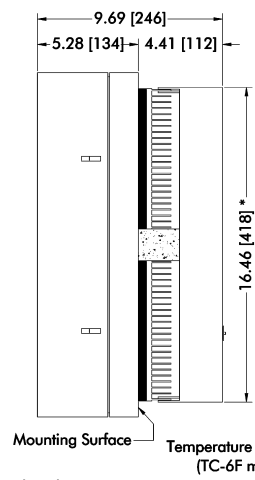
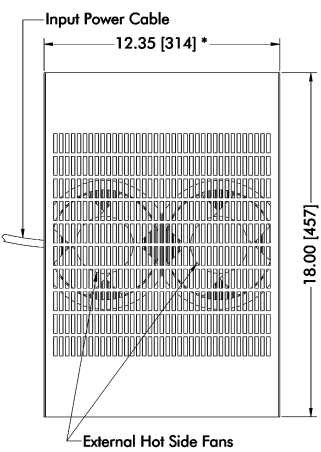


Equation of line: $y = \Delta T(^{\circ}C)$ $x = \text{Capacity (Watts)}$			
Ambient Temp	20°C	40°C	60°C
Enclosure Air	$y = .122x - 37.0$	$y = .122x - 39.7$	$y = .122x - 42.3$
Cold Sink	$y = .09x - 37.0$	$y = .09x - 39.7$	$y = .09x - 42.3$

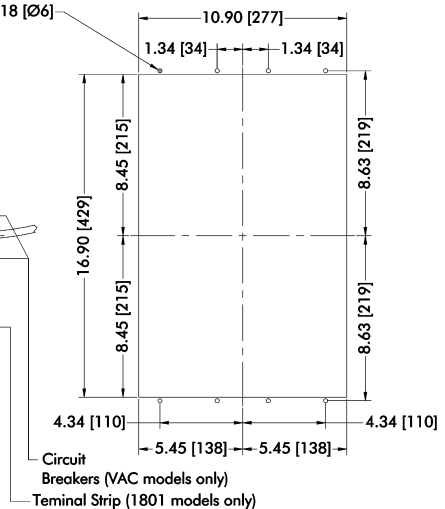


Air Flow Pattern

## DIMENSIONS



## MOUNTING CUTOUT DIMENSIONS



\* Dimension does not include hardware and sealant.  
Mounting hardware and gasket included but not shown.  
Dimensions: Inches [Millimeters]