



AHP-2250

Air Conditioner/Heat Exchanger

Air Cooled
Through Mounted
Nema-12, 4, 4X

48 VDC Input
High Efficiency
1420 BTU/HR



FEATURES

- High capacity thermoelectric design
- Power saving air to air heat exchanger mode (ECO-Mode)
- Heavy duty full perimeter mounting
- Lower profile intrusion into enclosure
- Central input cord for easy mounting
- Closed loop design
- Condensate control and evaporation system
- Compact
- Increased efficiency at higher ambients by as much as 10%
- Virtually maintenance free
- No compressor
- Environmentally friendly and safe
- Stainless Steel exterior housing
- Mounts and operates in any orientation
- Integral temperature controller
- Weight 60 LBS.

CONTROL TEMPERATURES

Active Cooling	35 °C
Heat Exchanger (ECO-Mode)	25 °C
Active Heating	10 °C
Typical Hysteresis	5 °C
Operating Ambient	-40/+65 °C
Operating Enclosure	-10/+60 °C

POWER INPUTS

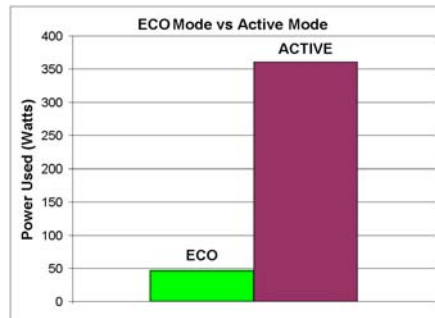
Voltage	48 VDC
Current, Active	7.5 AMPS
Current, ECO-Mode	0.9 AMPS

PERFORMANCE RATINGS

Cooling (Traditional)	1420 BTU/HR
Cooling (Din 3168)	417 WATTS
Cooling COP (at L35 L35)	1.16
Heating (Traditional)	> 1420 BTU/HR
Heating (Din 3168)	> 417 WATTS
Heating COP	1.16
Heat Exchanger (ECO-Mode)	12.5 W/°C

INCLUDES

- Power input leads
- Temperature controller
- Power saving heat exchanger mode (ECO-Mode)
- Mounting gasket
- Mounting hardware
- Circuit breaker



250 VDC configuration for crane applications available

CONFIGURATIONS

MODEL	PART NUMBER	NOTES	TEMPERATURE CONTROL	ENVIRONMENT
AHP-2250	0-H4J6-0-000	Cool only, industrial fans	TC-4F	NEMA-12, IP 52
AHP-2250	0-H456-0-000	Cool only, industrial fans	EXT*	NEMA-12, IP 52
AHP-2250HC	0-H4I6-1-000	Heat/Cool, industrial fans	TC-7F	NEMA-12, IP 52
AHP-2250HC	0-H456-1-000	Heat/Cool, industrial fans	EXT*	NEMA-12, IP 52
AHP-2250XE	0-H4J6-4-000	Cool only, sealed hot side fans	TC-4F	NEMA-4, IP 56
AHP-2250XE	0-H456-4-000	Cool only, sealed hot side fans	EXT*	NEMA-4, IP 56
AHP-2250XEHC	0-H4I6-5-000	Heat/Cool, sealed hot side fans	TC-7F	NEMA-4, IP 56
AHP-2250XEHC	0-H456-5-000	Heat/Cool, sealed hot side fans	EXT*	NEMA-4, IP 56
AHP-2250X	0-H4J6-2-000	Cool only, Mil. grade hot side fans	TC-4F	NEMA-4X, IP 56
AHP-2250X	0-H456-2-000	Cool only, Mil. grade hot side fans	EXT*	NEMA-4X, IP 56
AHP-2250XHC	0-H4I6-3-000	Heat/Cool, Mil. grade hot side fans	TC-7F	NEMA-4X, IP 56
AHP-2250XHC	0-H456-3-000	Heat/Cool, Mil. grade hot side fans	EXT*	NEMA-4X, IP 56

* Unit is set for 5-32 VDC external signal, relay(s) included

AHP-2250

MOUNTING STYLE

Through Mounted

ENVIRONMENTS SERVED

NEMA-12 IP 52

NEMA-4,4X IP 56

RATING (TRADITIONAL)

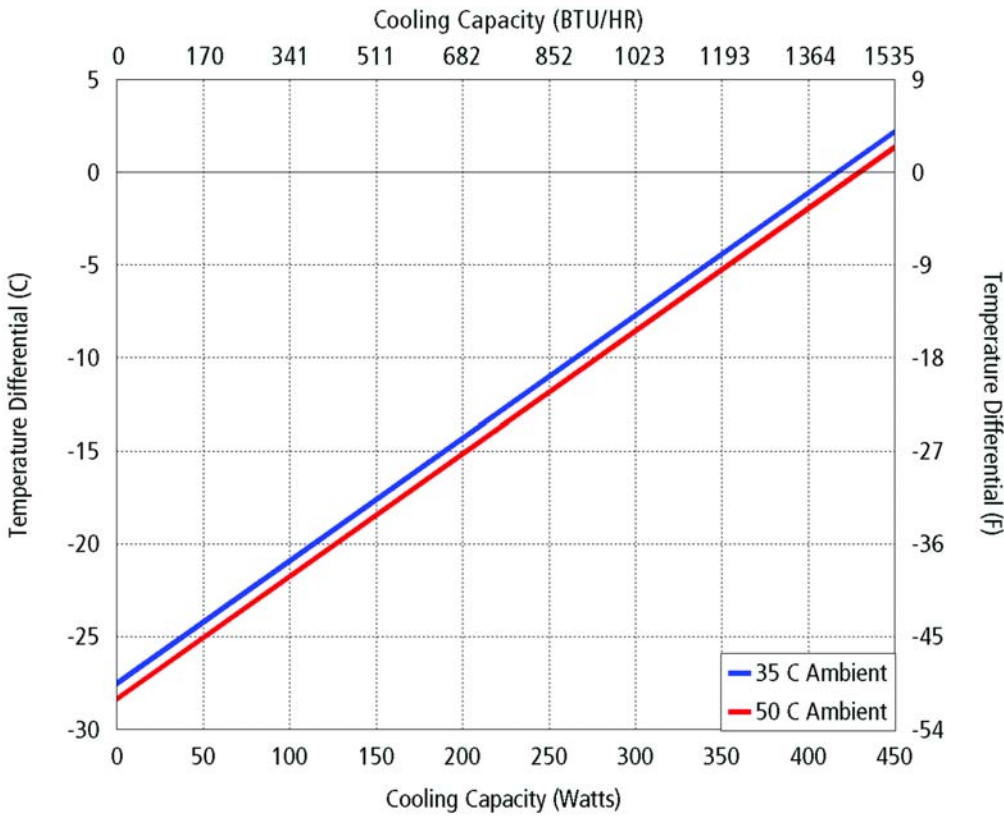
1420 BTU/hr @ 0 °F ΔT

RATING (DIN 3168)

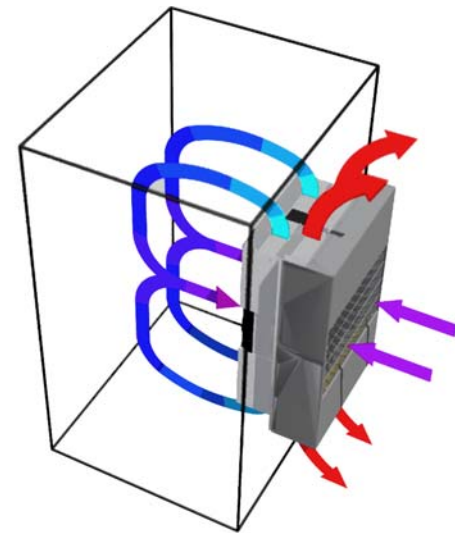
417 Watts L35 L35

270 Watts L35 L50

PERFORMANCE CURVE

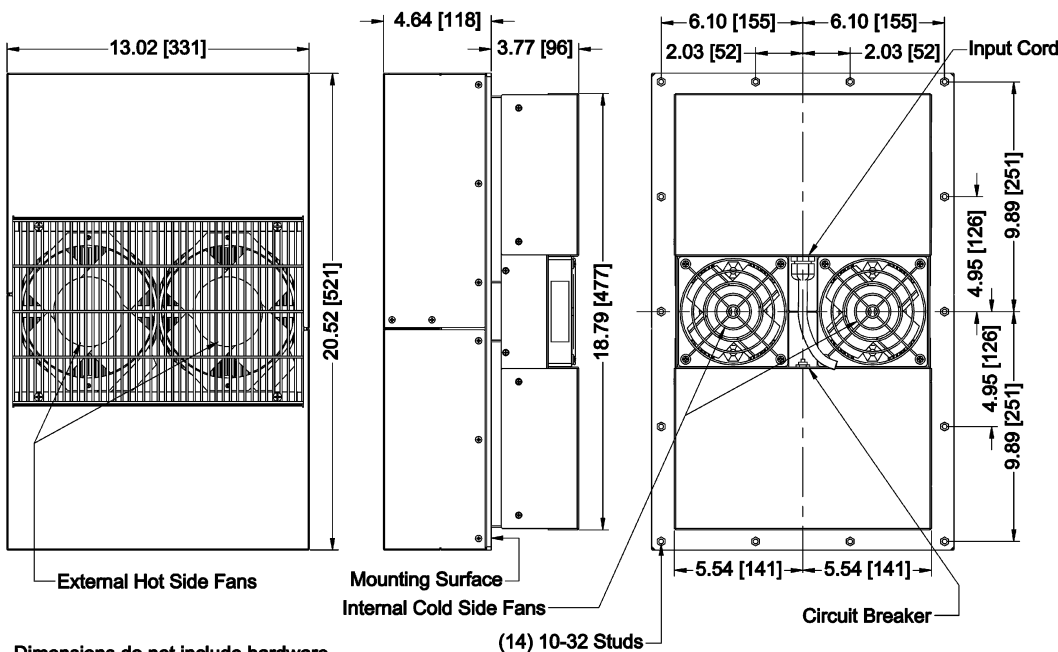


Equation of line: $y = \Delta T(^{\circ}C)$ $x = \text{Capacity (Watts)}$		
Ambient Temp.	35 °C	50 °C
Enclosure Air	$y = .066x - 27.5$	$y = .066x - 28.3$
Cold Sink	$y = .05x - 27.5$	$y = .05x - 28.3$

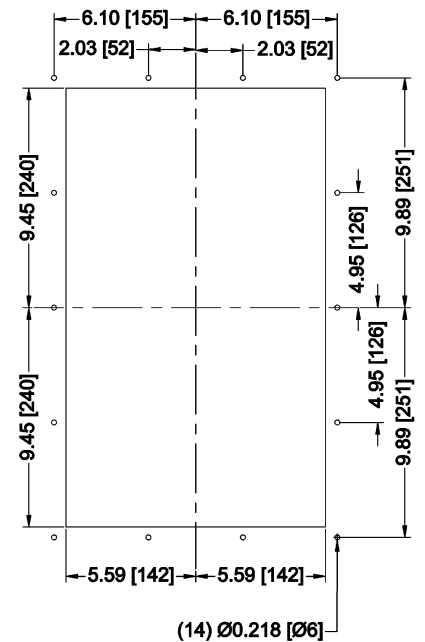


Air Flow Pattern

DIMENSIONS



MOUNTING CUTOUT DIMENSIONS



Dimensions do not include hardware
 Mounting hardware and gasket included but not shown
 Dimensions: Inches [Millimeters]