

# AHP-250

# Air Conditioner / Heat Exchanger

Air Cooled  
Through Mounted  
Nema-12, 4, 4X

12 VDC, 24 VDC  
129 BTU/HR

## FEATURES

- Compact (only 6" X 4.75" X 6.6")
- Mounts and operates in any orientation: horizontal, vertical, etc.
- Lower vibration and noise
- No moving parts except fans
- Environmentally safe
- No compressor, fluorocarbons or filters
- Heat via reverse polarity
- Virtually maintenance-free operation
- Weight 4.4 LBS.

## POWER INPUTS

Voltage	12 VDC, 24 VDC
Current, Active	6 AMPS, 3 AMPS
Current, ECO-Mode	0.3 AMPS

## PERFORMANCE RATINGS

Cooling (Traditional)	128 BTU/HR
Cooling (Din 3168)	38 WATTS
Cooling COP (at L35 L35)	0.53
Heating (Traditional)	> 245 BTU/HR
Heating (Din 3168)	> 72 WATTS
Heating COP	> 1.0

## CONTROL TEMPERATURES

Active Cooling	35 °C
Heat Exchanger (ECO-Mode)	25 °C
Active Heating	10 °C
Typical Hysteresis	5 °C
Operating Ambient	-40/+70 °C
Operating Enclosure	-10/+60 °C



## CONFIGURATIONS

MODEL	PART NUMBER	NOTES	INTEGRAL TEMPERATURE CONTROL	VOLTAGE VDC	CURRENT AMPS	ENVIRONMENT
AHP-250FFHC	0-L094-1-000*	Industrial fans	None	12	6	NEMA-12, IP 52
AHP-250FFHC	0-L095-1-000*	Industrial fans	None	24	3	NEMA-12, IP 52
AHP-250FF	0-L0J4-0-000	Industrial fans	TC-4F	12	6	NEMA-12, IP 52
AHP-250FF	0-L0J5-0-000	Industrial fans	TC-4F	24	3	NEMA-12, IP 52
AHP-250FFHC	0-L0I4-1-000	Industrial fans	TC-7F	12	6	NEMA-12, IP 52
AHP-250FFHC	0-L0I5-1-000	Industrial fans	TC-7F	24	3	NEMA-12, IP 52
AHP-250XEHC	0-L094-5-000*	Industrial sealed HS fan	None	12	6	NEMA-4/4X, IP 56
AHP-250XEHC	0-L095-5-000*	Industrial sealed HS fan	None	24	3	NEMA-4/4X, IP 56
AHP-250XE	0-L0J4-4-000	Industrial sealed HS fan	TC-4F	12	6	NEMA-4/4X, IP 56
AHP-250XE	0-L0J5-4-000	Industrial sealed HS fan	TC-4F	24	3	NEMA-4/4X, IP 56
AHP-250XEHC	0-L0I4-5-000	Industrial sealed HS fan	TC-7F	12	6	NEMA-4/4X, IP 56
AHP-250XEHC	0-L0I5-5-000	Industrial sealed HS fan	TC-7F	24	3	NEMA-4/4X, IP 56
AHP-250XHC	0-L094-3-000*	Military grade HS fan	None	12	6	NEMA-4X/Harsh Env. IP 56
AHP-250XHC	0-L095-3-000*	Military grade HS fan	None	24	3	NEMA-4X/Harsh Env. IP 56
AHP-250X	0-L0J4-2-000	Military grade HS fan	TC-4F	12	6	NEMA-4X/Harsh Env. IP 56
AHP-250X	0-L0J5-2-000	Military grade HS fan	TC-4F	24	3	NEMA-4X/Harsh Env. IP 56
AHP-250XHC	0-L0I4-3-000	Military grade HS fan	TC-7F	12	6	NEMA-4X/Harsh Env. IP 56
AHP-250XHC	0-L0I5-3-000	Military grade HS fan	TC-7F	24	3	NEMA-4X/Harsh Env. IP 56

\* Heat/Cool function via reverse polarity capable external controller

# AHP-250

## MOUNTING STYLE

Through Mounted

## ENVIRONMENTS SERVED

NEMA-12 IP 52

NEMA-4,4X IP 56

## RATING (TRADITIONAL)

129 BTU/hr @ 0 °F ΔT

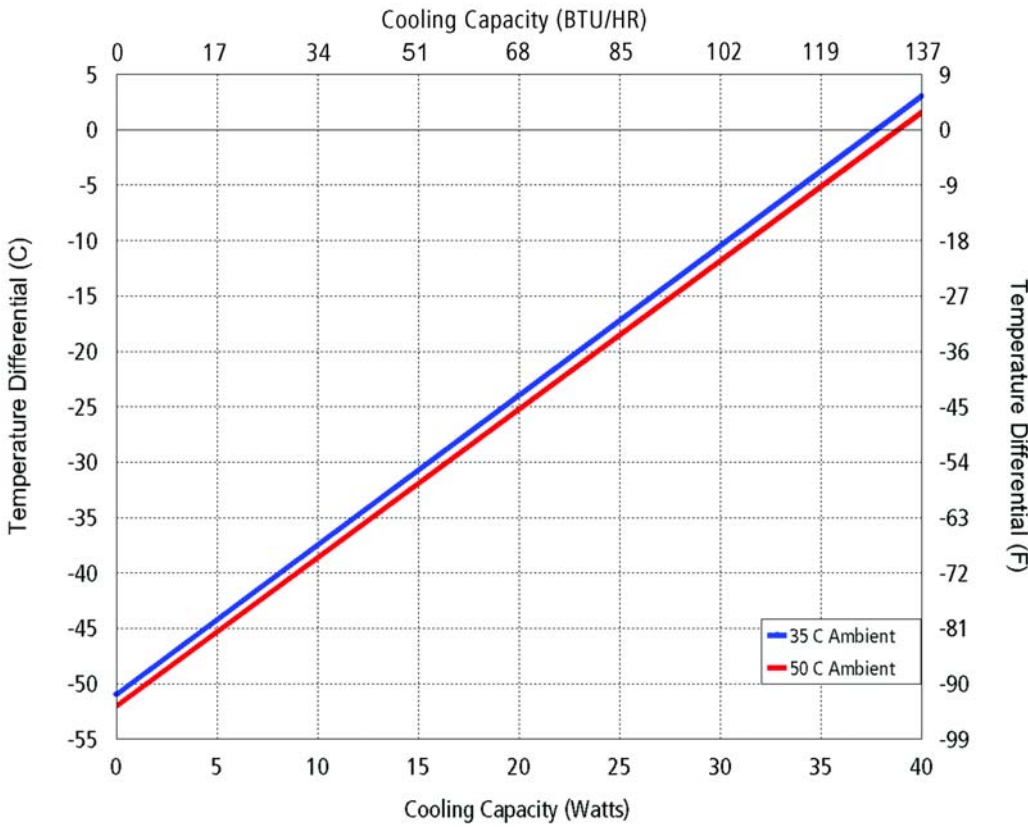
162 BTU/hr @ +20 °F ΔT

## RATING (DIN 3168)

38 Watts L35 L35

28 Watts L35 L50

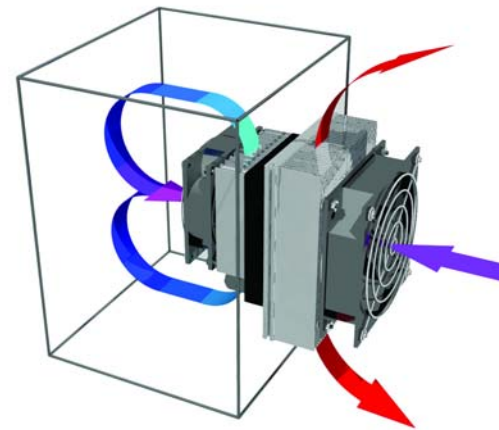
## PERFORMANCE CURVE



**Equation of Line:  $y = \Delta T(^{\circ}C)$   $x = \text{Capacity (Watts)}$**

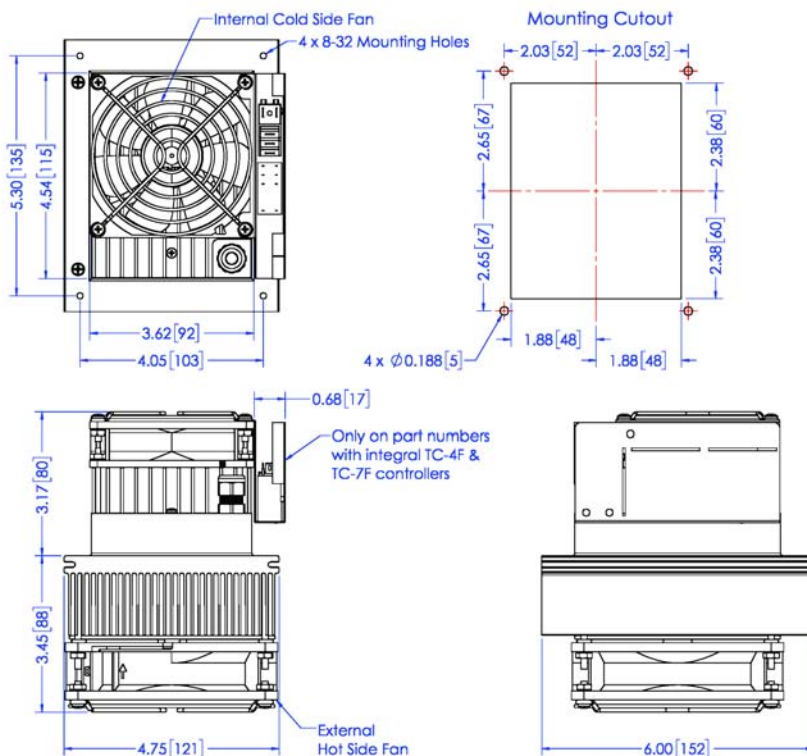
Ambient Temp	35°C	50°C
Enclosure Air	$y = 1.35x - 51$	$y = 1.34x - 52$
Cold Sink	$y = 1.15x - 51.7$	$y = 1.13x - 52.6$

Temperature Differential (F)



Air Flow Pattern

## DIMENSIONS



Dimensions do not include hardware & sealant  
Mounting hardware & gasket included but not shown  
Dimension: Inches [Millimeters]