

# AHP-270CP Cold/Hot Plate

Air Cooled

General Purpose 12 VDC, 24 VDC  
64 Watts

## FEATURES

- Compact (only 6" X 4.75" X 4.4")
- Mounts and operates in any orientation: horizontal, vertical, etc.
- Low vibration and noise
- No moving parts except fan
- Environmentally safe
- No compressor, fluorocarbons or filters
- Heat via reverse polarity
- Virtually maintenance-free operation
- Weight 3.8 LBS. (1.7 KG)

## INCLUDES

- Mounting gasket
- Mounting hardware
- Power input leads

## OPTIONS

- Adaptable for TC-3400 controller
- Adaptable for TC-3500 H-Bridge controller (24VDC only)
- Stainless steel exterior housing



## PERFORMANCE RATINGS

Cooling	64 WATTS
Cooling COP	0.67
Heating	> 96 Watts

## SPECIFICATIONS

MODEL	PART NUMBER	NOTES	PERFORMANCE RATING WATTS	VOLTAGE VDC	CURRENT AMPS.	TEMP. CONTROL	OPERATING AMBIENT °C
AHP-270CPHC	1-L094-1-001	Heat/Cool	64	12	8	None	-10/+60
AHP-270CPHC	1-L095-1-001	Heat/Cool	64	24	4	None	-10/+60

Heat function via reverse polarity (requires controller with H-Bridge)

# AHP-270CP

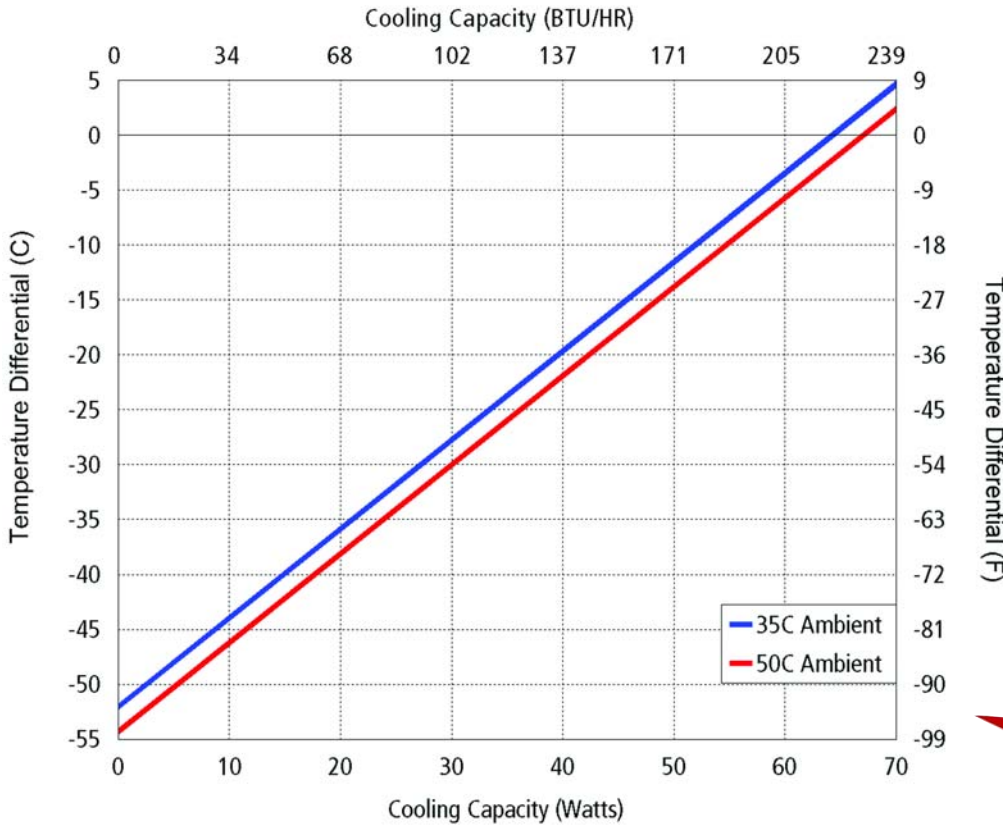
## ENVIRONMENTS

Bench Top, Factory, Industrial, OEM

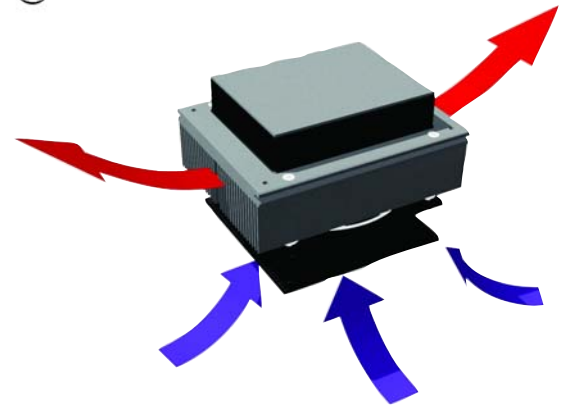
## COOLING CAPACITY

64 Watts @ 0 °C ΔT

## PERFORMANCE CURVE

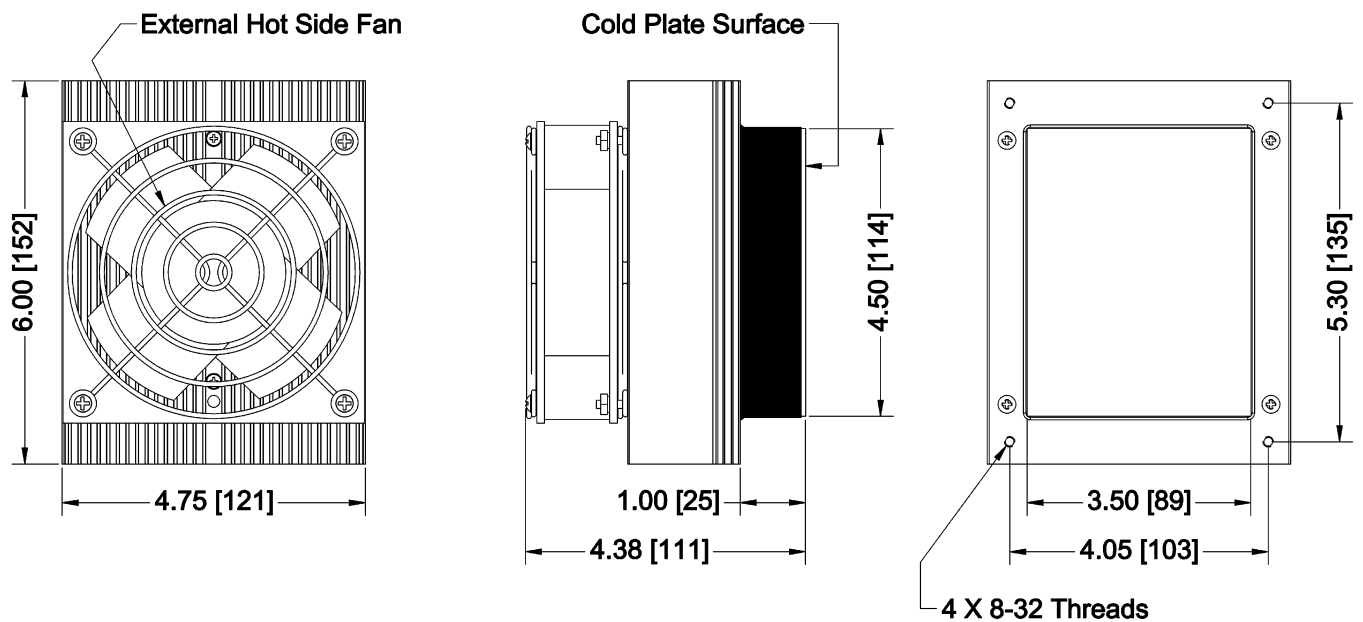


Equation of Line: $y = \Delta T(^{\circ}C)$ $x = \text{Capacity (Watts)}$		
Ambient Temp	35°C	50°C
Cold Plate	$y = 0.81x - 52$	$y = 0.81x - 54.3$



Air Flow Pattern

## DIMENSIONS



Dimension does not include hardware and sealant.  
 Hardware and gasket included but not shown.  
 Dimensions: Inches [Millimeters]