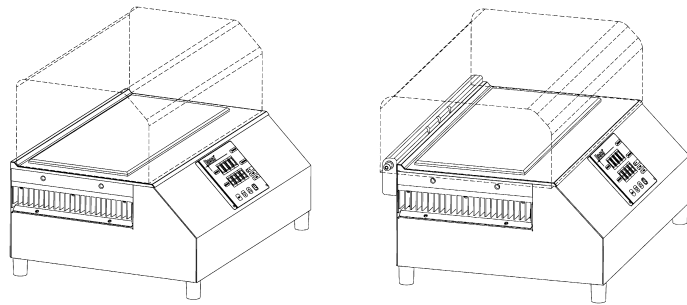


CPV Accessories

Covers and Barriers

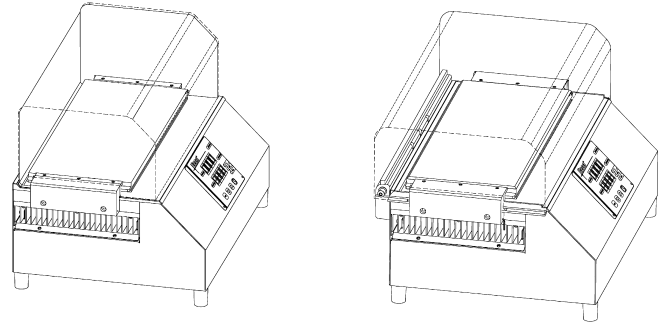
COVERS

Clear Acrylic Covers for use on CPV cold plates.



| USED ON | W X D X H SIZE (in) | PLAIN | HINGED |
|-------------|------------------------|--------|---------|
| AHP-301CPV | 10 X 6.5 X 4 | C-301 | CH-301 |
| AHP-1200CPV | 15 X 8 X 5 | C-1200 | CH-301 |
| AHP-1200DCP | 15 X 15 X 5 | C-1800 | CH-1800 |
| AHP-1800CPV | 15 X 15 X 5 | C-1800 | CH-1800 |

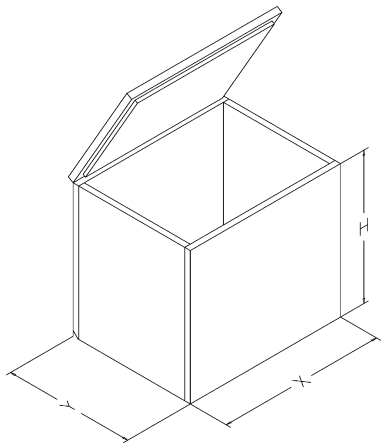
Clear Acrylic Covers for use on CPV cold plates with accessory plate option.



| USED ON | W X D X H SIZE (in) | PLAIN | HINGED |
|-------------|------------------------|---------|----------|
| AHP-301CPV | 10 X 6.5 X 4 | CN-301 | CHN-301 |
| AHP-1200CPV | 15 X 8 X 5 | CN-1200 | CHN-301 |
| AHP-1200DCP | 15 X 15 X 5 | CN-1800 | CHN-1800 |
| AHP-1800CPV | 15 X 15 X 5 | CN-1800 | CHN-1800 |

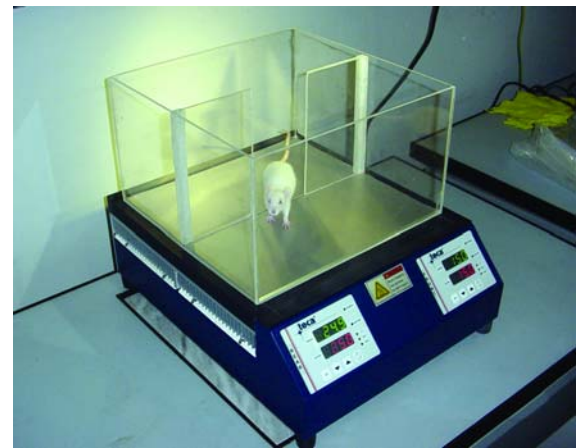
BARRIERS

Clear acrylic barriers for use on CPV cold plates. Includes unhinged cover.



| PART NUMBER | SIZE W X H in [mm] | USED WITH |
|-------------|-----------------------|-------------|
| BH-301 | 6.8X5.3 [173X135] | AHP-301CPV |
| BH-1200 | 14.2X6.7 [361X170] | AHP-1200CPV |
| BH-1200DCP | 14.2X13.7 [361X348] | BH-1200DCP |
| BH-1800 | 14.2X13.7 [361X348] | BH-1800 |

H= Height in inches (customer specified)
Example: B6-301



PYREX PLATES

Borosilicate substrate (1/8" thick) used to protect cold plate surface from sharp instruments. These plates, GP-1200 and GP-301, can be frozen in place on the cold plates.

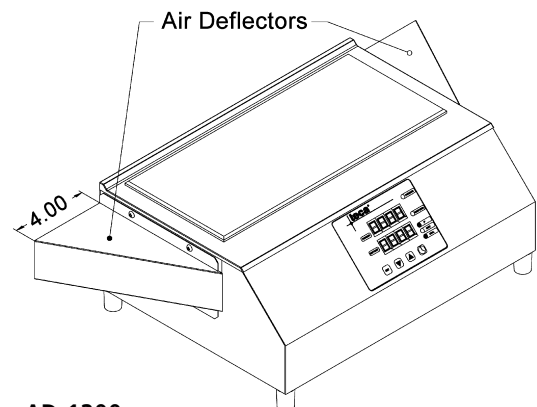
| PART NUMBER | SIZE W X H in [mm] | USED WITH |
|-------------|------------------------|----------------|
| GP-1200 | 13.3 X 5.8 [338 X 147] | AHP-1200CPV |
| GP-301 | 6.0 X 4.5 [152 X 114] | AHP-301CPV |
| GP-22 | 8.75 X 4.5 [222 X 114] | CCP-22 |
| GP-301 | 6.0 X 3.0 [152 X 76] | CCP-21, CCP-31 |

INSULATION

Handy sized and easily cut pieces of closed cell polyethylene insulation. Create a custom fit around your load and enhance CPV performance.

- INS-03** 15" X 2" X 8" Use with AHP-1200CPV
- INS-04** 10" X 2" X 6" Use with AHP-301CPV
- INS-05** 15" X 2" X 15" Use with AHP-1800CPV

AIR DEFLECTOR



AD-1200

Fully reversible air deflector for AHP-1200CPV exhaust.

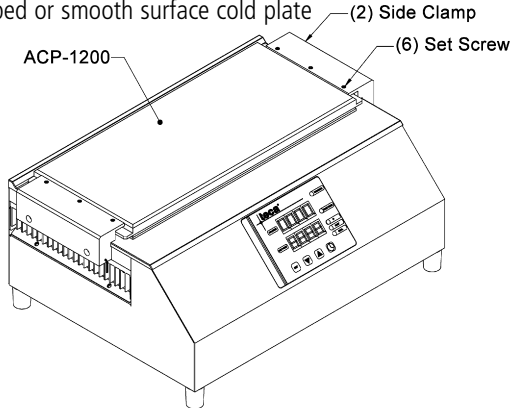
TECA

1-888-TECA-USA (832-2872)

ACCESSORY PLATES

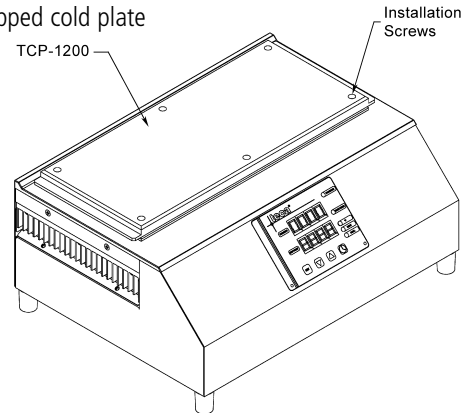
Clear anodized aluminum Feature Plates are clamped to CPV cold plates from the side. They come with the side clamps and are blank as shown below. Modify them to your needs, adding taps, grooves and other features. Swap different plates for different jobs. Use them as fixture plates.

For use with tapped or smooth surface cold plate



| PART NUMBER | SIZE W X H in [mm] | USED WITH |
|-------------|-----------------------|-------------|
| ACP-301 | 6.2X4.7 [157X119] | AHP-301CPV |
| ACP-1200 | 13.3X5.8 [338X147] | AHP-1200CPV |
| ACP-1800 | 13.3X13.0 [338X330] | AHP-1800CPV |

For use with tapped cold plate



| PART NUMBER | SIZE W X H in [mm] | USED WITH |
|-------------|-----------------------|-------------|
| TCP-301 | 6.2X4.7 [157X119] | AHP-301CPV |
| TCP-1200 | 13.3X5.8 [338X147] | AHP-1200CPV |
| TCP-1800 | 13.3X13.0 [338X330] | AHP-1800CPV |

COLD WELL



CWB-01 Aluminum cold well block for 1000 mL Boston Round bottles. For use with AHP-1200CPV. Cover included.

For other configurations consult factory



CWB-02 Aluminum cold well block for 35mm X 125mm Kimax Brand cold test jar. For use with AHP-301CPV. Cover included.

For other configurations consult factory

TUBE CHILLER

A Tube Chiller Plate has channels designed for specific size flexible tubing. When a fluid flows through the tubing it can be heated or cooled without introducing any type of contaminants. Temperature differentials vary with fluid flow rate and specific heat. On site evaluations recommended.

TC-1 Accessory plate with channels for 0.125" dia tubing. Other tubing diameters available.

TCC-1 Hinged cover for TC-1

