

# FHP-3252

# Air Conditioner/Heat Exchanger

Air Cooled  
Flush Mounted  
Nema-12, 4, 4X

240 VAC Input  
High Capacity  
2290 BTU/HR

## FEATURES

- High capacity thermoelectric design
- Power saving air to air heat exchanger mode (ECO-Mode)
- Heavy duty full perimeter mounting
- No intrusion into enclosure
- Central input cord for easy mounting
- Closed loop design
- Condensate control and evaporation system
- Increased efficiency at higher ambients
- Virtually maintenance free
- No compressor
- Environmentally friendly and safe
- Stainless Steel exterior housing
- Mounts and operates in any orientation
- Integral temperature controller
- Weight 93 LBS.

## CONTROL TEMPERATURES

Active Cooling	35 °C
Heat Exchanger (ECO-Mode)	25 °C
Active Heating	10 °C
Typical Hysteresis	5 °C
Operating Ambient	-40/+65 °C
Operating Enclosure	-10/+60 °C

## POWER INPUTS

Voltage	240 VAC
Current, Active	4.6 AMPS
Current , ECO-Mode	0.70 AMP
Frequency	50/60 Hz

## PERFORMANCE RATINGS

Cooling (Traditional)	2290 BTU/HR
Cooling (Din 3168)	672 WATTS
Cooling COP (at L35 L35)	0.61
Heating (Traditional)	> 3765 BTU/HR
Heating (Din 3168)	> 1104 WATTS
Heating COP	> 1.0
Heat Exchanger (ECO-Mode)	18 W/°C

## CONFIGURATIONS

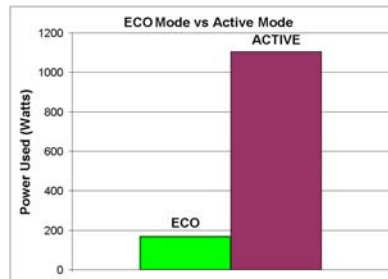
MODEL	PART NUMBER	NOTES	TEMPERATURE CONTROL	ENVIRONMENT
FHP-3252	7-14J2-0-000	Cool only, industrial fans & power supply	TC-4F	NEMA-12, IP 52
FHP-3252	7-1452-0-000	Cool only, industrial fans & power supply	EXT*	NEMA-12, IP 52
FHP-3252HHC	7-14I2-1-000	Heat/Cool, industrial fans & power supply	TC-7F	NEMA-12, IP 52
FHP-3252HHC	7-1452-1-000	Heat/Cool, industrial fans & power supply	EXT*	NEMA-12, IP 52
FHP-3252XE	7-14J2-4-000	Cool only, sealed hot side fans & power supply	TC-4F	NEMA-4, IP 56
FHP-3252XE	7-1452-4-000	Cool only, sealed hot side fans & power supply	EXT*	NEMA-4, IP 56
FHP-3252XEHC	7-14I2-5-000	Heat/Cool, sealed hot side fans & power supply	TC-7F	NEMA-4, IP 56
FHP-3252XEHC	7-1452-5-000	Heat/Cool, sealed hot side fans & power supply	EXT*	NEMA-4, IP 56
FHP-3252X	7-14J2-2-000	Cool only, Mil. grade hot side fans & power supply	TC-4F	NEMA-4X, IP 56
FHP-3252X	7-1452-2-000	Cool only, Mil. grade hot side fans & power supply	EXT*	NEMA-4X, IP 56
FHP-3252XHC	7-14I2-3-000	Heat/Cool, Mil. grade hot side fans & power supply	TC-7F	NEMA-4X, IP 56
FHP-3252XHC	7-1452-3-000	Heat/Cool, Mil. grade hot side fans & power supply	EXT*	NEMA-4X, IP 56

\* Unit is set for 5-32 VDC external signal, relay(s) included



## INCLUDES

- Power supply
- Temperature controller
- Power saving heat exchanger mode (ECO-Mode)
- Mounting gasket
- Mounting hardware
- Power input cord
- Circuit breaker



250 VDC configuration for crane applications available

# FHP-3252

## MOUNTING STYLE

Flush Mounted

## ENVIRONMENTS SERVED

NEMA-12 IP 52

NEMA-4,4X IP 56

## RATING (TRADITIONAL)

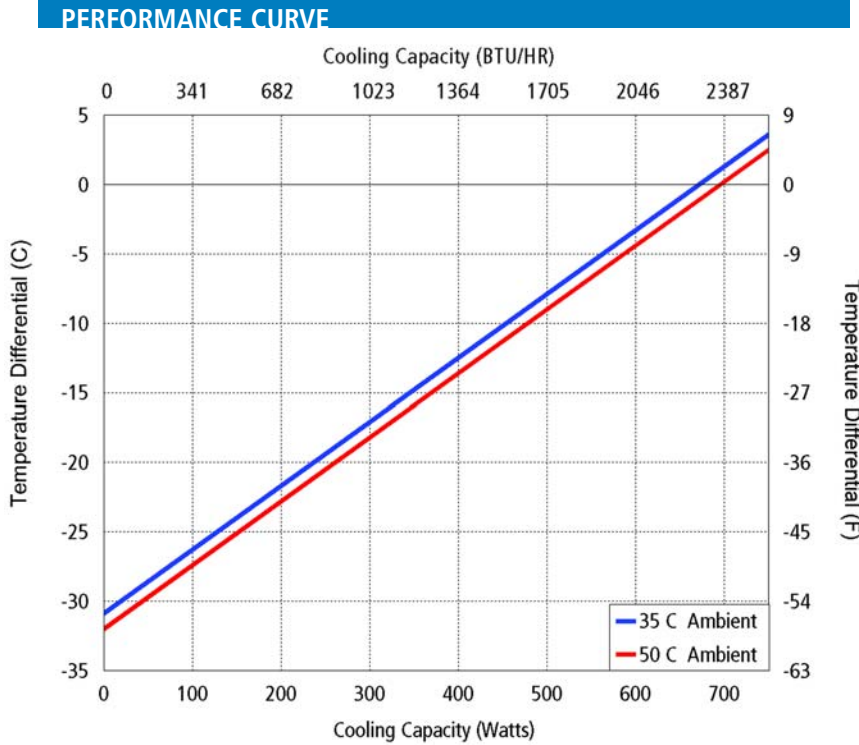
2290 BTU/hr @ 0 °F ΔT

3115 BTU/hr @ +20 °F ΔT

## RATING (DIN 3168)

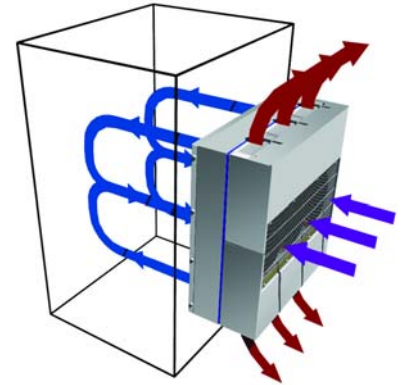
672 Watts L35 L35

360 Watts L35 L50



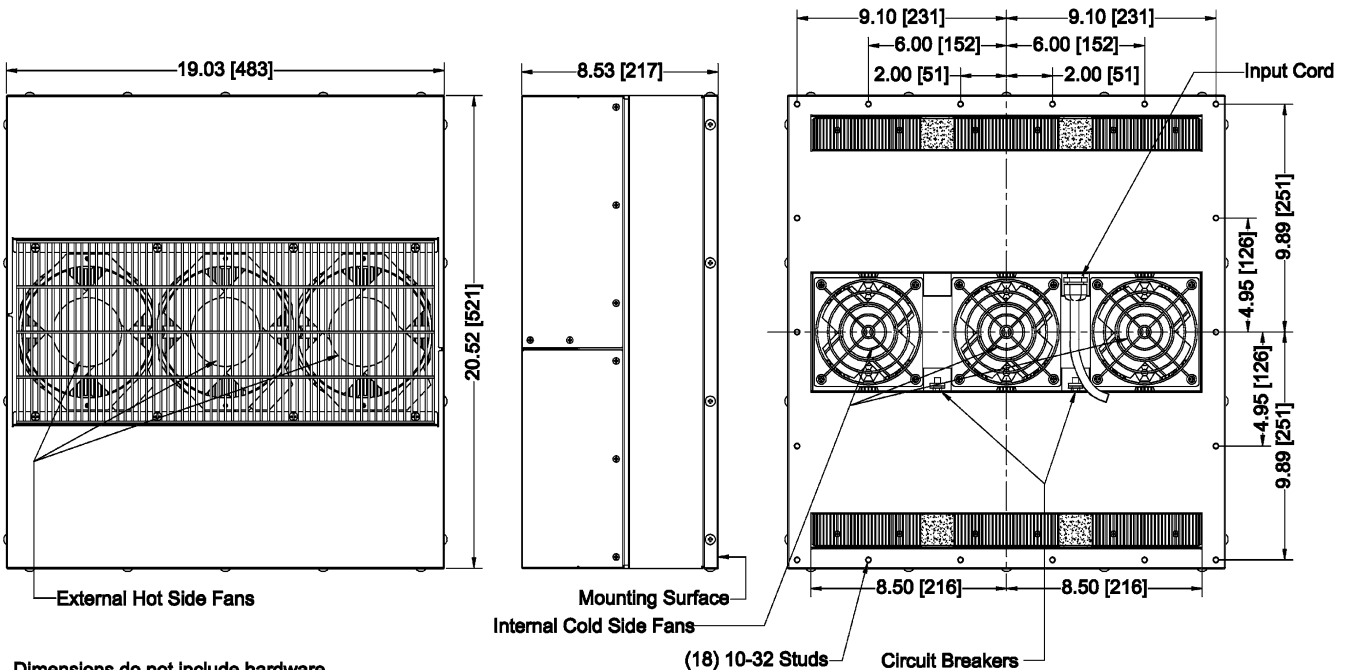
Equation of line: $y = \Delta T(^{\circ}C) \quad x = \text{Capacity (Watts)}$		
Ambient Temp	35°C	50°C
Enclosure Air	$y = .046x - 30.9$	$y = .046x - 32$
Cold Sink	$y = .034x - 30.9$	$y = .034x - 32$

Temperature Differential (F)



Air Flow Pattern

## DIMENSIONS



Dimensions do not include hardware  
Mounting hardware and gasket included but not shown  
Dimensions: Inches [Millimeters]

Mounting Cutout: 17.20X18.90 [437X480]