

AHP-1800 Air Conditioner

Air Cooled
Through Mounted
NEMA-12, 4, 4X

120 VAC, 240 VAC Input
1100 BTU/HR



FEATURES

- Compact, (18" L X 12.35" W X 9.69"D)
- Excels in high ambient temperatures
- Environmentally Safe
- Dual voltage versions available, consult factory.
- No compressor, fluorocarbons or filters
- Virtually maintenance-free operation
- Stainless steel exterior housing
- Versions to withstand corrosive environments, shock and vibration
- Mounts and operates in any orientation
- Easy to use Pivot Clean feature
- Agency approvals: UL 1995, CSA 22.2, CE

INCLUDES

- Temperature control
- Mounting gasket and hardware
- Power input line cord

OPTIONS

- Other temperature settings for single set point controls
- Custom finishes



SPECIFICATIONS

MODEL	PART NUMBER	VOLTAGE VAC 50/60 HZ	CURRENT AMPS.	WEIGHT LBS.(KG)	TEMP. CONTROL	OPERATING AMBIENT TEMPERATURE RANGE °C	OPERATING ENCLOSURE TEMPERATURE RANGE °C	ENVIRONMENT
AHP-1800	0-0180-0-000	120	8.0	46(21)	TC-6F	-40/+70	-10/+60	NEMA-12
AHP-1800	0-0150-0-000	120	8.0	46(21)	EXT*	-40/+70	-10/+60	NEMA-12
AHP-1800	0-01F0-0-000	120	8.0	46(21)	TC-1F	-40/+70	-10/+60	NEMA-12
AHP-1800HC	0-0130-1-000	120	8.0	46(21)	TC-3F	-40/+70	-10/+60	NEMA-12
AHP-1800HC	0-0150-1-000	120	8.0	46(21)	EXT*	-40/+70	-10/+60	NEMA-12
AHP-1802	0-0182-0-000	240	5.0	46(21)	TC-6F	-40/+70	-10/+60	NEMA-12
AHP-1802	0-0152-0-000	240	5.0	46(21)	EXT*	-40/+70	-10/+60	NEMA-12
AHP-1802	0-01F2-0-000	240	5.0	46(21)	TC-1F	-40/+70	-10/+60	NEMA-12
AHP-1802HC	0-0132-1-000	240	5.0	46(21)	TC-3F	-40/+70	-10/+60	NEMA-12
AHP-1802HC	0-0152-1-000	240	5.0	46(21)	EXT*	-40/+70	-10/+60	NEMA-12
AHP-1801	0-0181-0-000	120/240	8.0/5.0	46(21)	TC-6F	-40/+70	-10/+60	NEMA-12
AHP-1801	0-01F1-0-000	120/240	8.0/5.0	46(21)	TC-1F	-40/+70	-10/+60	NEMA-12
AHP-1801HC	0-0131-1-000	120/240	8.0/5.0	46(21)	TC-3F	-40/+70	-10/+60	NEMA-12
AHP-1800XE	0-0180-4-000	120	8.0	47(21.4)	TC-6F	-40/+70	-10/+60	NEMA-4
AHP-1800XE	0-0150-4-000	120	8.0	47(21.4)	EXT*	-40/+70	-10/+60	NEMA-4
AHP-1800XE	0-01F0-4-000	120	8.0	47(21.4)	TC-1F	-40/+70	-10/+60	NEMA-4
AHP-1800XEHC	0-0130-5-000	120	8.0	47(21.4)	TC-3F	-40/+70	-10/+60	NEMA-4
AHP-1800XEHC	0-0150-5-000	120	8.0	47(21.4)	EXT*	-40/+70	-10/+60	NEMA-4
AHP-1802XE	0-0182-4-000	240	5.0	52(23.6)	TC-6F	-40/+70	-10/+60	NEMA-4
AHP-1802XE	0-0152-4-000	240	5.0	52(23.6)	EXT*	-40/+70	-10/+60	NEMA-4
AHP-1802XE	0-01F2-4-000	240	5.0	52(23.6)	TC-1F	-40/+70	-10/+60	NEMA-4
AHP-1802XEHC	0-0132-5-000	240	5.0	52(23.6)	TC-3F	-40/+70	-10/+60	NEMA-4
AHP-1802XEHC	0-0152-5-000	240	5.0	52(23.6)	EXT*	-40/+70	-10/+60	NEMA-4
AHP-1800X	0-0180-2-000	120	8.0	47(21.4)	TC-6F	-40/+70	-10/+60	NEMA-4X
AHP-1800X	0-0150-2-000	120	8.0	47(21.4)	EXT*	-40/+70	-10/+60	NEMA-4X
AHP-1800X	0-01F0-2-000	120	8.0	47(21.4)	TC-1F	-40/+70	-10/+60	NEMA-4X
AHP-1800XHC	0-0130-3-000	120	8.0	47(21.4)	TC-3F	-40/+70	-10/+60	NEMA-4X
AHP-1800XHC	0-0150-3-000	120	8.0	47(21.4)	EXT*	-40/+70	-10/+60	NEMA-4X
AHP-1801X	0-0181-2-0000	120/240	8.0/6.0	47(21.4)	TC-6F	-40/+70	-10/+60	NEMA-4X
AHP-1801X	0-01F1-2-000	120/240	8.0/6.0	47(21.4)	TC-1F	-40/+70	-10/+60	NEMA-4X
AHP-1801XHC	0-0131-3-000	120/240	8.0/6.0	47(21.4)	TC-3F	-40/+70	-10/+60	NEMA-4X
AHP-1859XEHC†	0-01LB-5-000	100-240	5.0/2.0	47(21.4)	TC-5300D	-40/+70	-10/+60	NEMA-4

† Precise temperature control model

* Unit is set for 5-32 VDC external signal, relay(s) included

Consult factory for shock and vibration models

AHP-1800

MOUNTING STYLE

Through Mounted

ENVIRONMENTS SERVED

NEMA-12 IP 52

NEMA-4,4X IP 56

RATING (TRADITIONAL)

1100 BTU/hr @ 0 °F ΔT

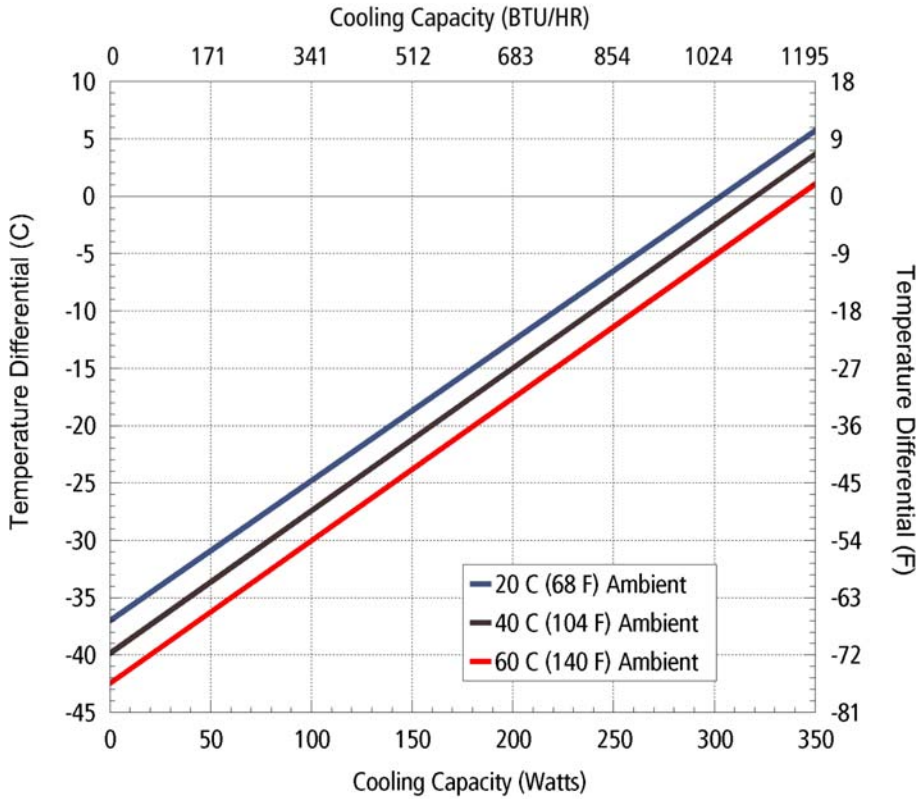
1420 BTU/hr @ +20 °F ΔT

RATING (DIN 3168)

322 Watts L35 L35

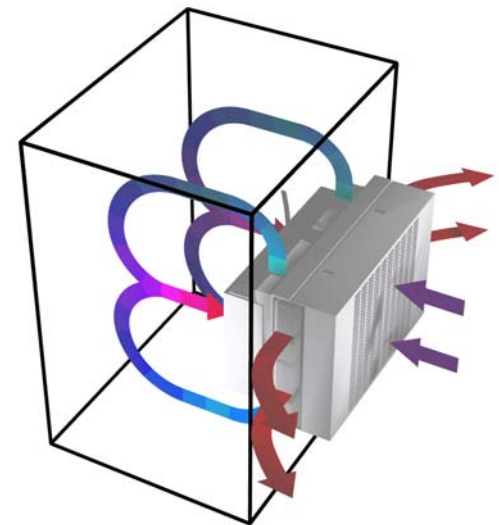
210 Watts L35 L50

PERFORMANCE CURVE



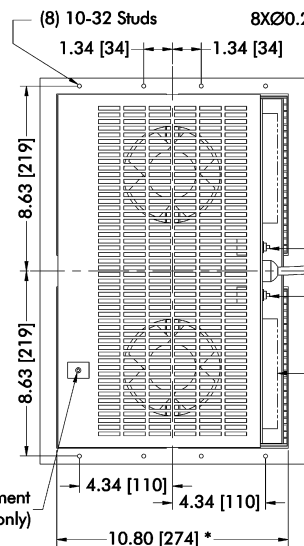
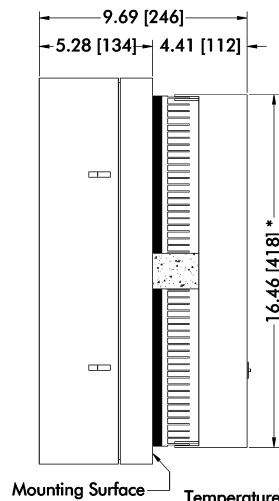
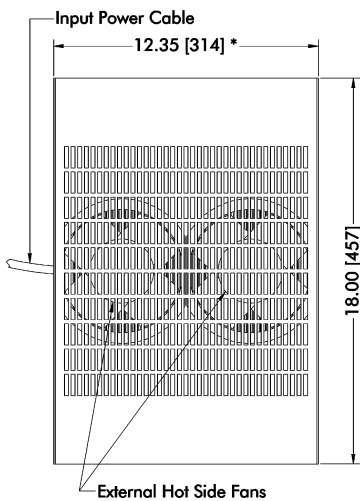
Equation of line: $y = \Delta T(^{\circ}C) \quad x = \text{Capacity (Watts)}$

Ambient Temp	20°C	40°C	60°C
Enclosure Air	$y = .122x - 37.0$	$y = .122x - 39.7$	$y = .122x - 42.3$
Cold Sink	$y = .09x - 37.0$	$y = .09x - 39.7$	$y = .09x - 42.3$

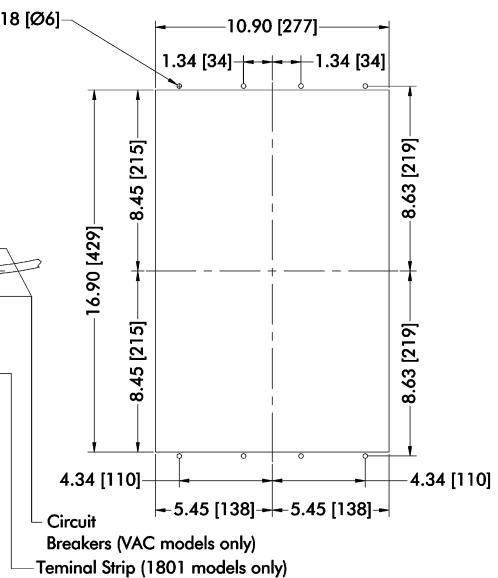


Air Flow Pattern

DIMENSIONS



MOUNTING CUTOUT DIMENSIONS



* Dimension does not include hardware and sealant.
Mounting hardware and gasket included but not shown.
Dimensions: Inches [Millimeters]