

# TC-3500 Temperature Controller

PID Temperature Control

## OVERVIEW

The TC-3500 temperature controller series simplifies your temperature control requirements.

This controller reduces system complexity and set up cost. The TC-3500 is a high performance PID temperature controller in space-saving, panel-mount size. RS485 with MODBUS-RTU (JBUS) protocol and IP 65 mounted in panel with gasket suitable for wide range of environments.

For use with reverse polarity AHP-300FFHC, AHP-300XEHC, AHP-300XHC, AHP-150FFHC, AHP-150XEHC.



## SPECIFICATIONS

### Mechanical Data:

- Housing Self-extinguishing plastic, UL 94 V0
- Dimensions 35x78 mm - depth 75,5 mm
- Weight 130 g approx
- Connections 2,5 mm<sup>2</sup> screw terminal block
- Mounting Flush in panel in 29x71 mm hole
- Front panel protection IP 65 mounted in panel with gasket

### Electrical Data:

- Power supply 12...24 VDC +/- 10
- Power consumption 4 VA approx.

### Input Sensor:

- PTC Thermistor (included)

### Functional Data:

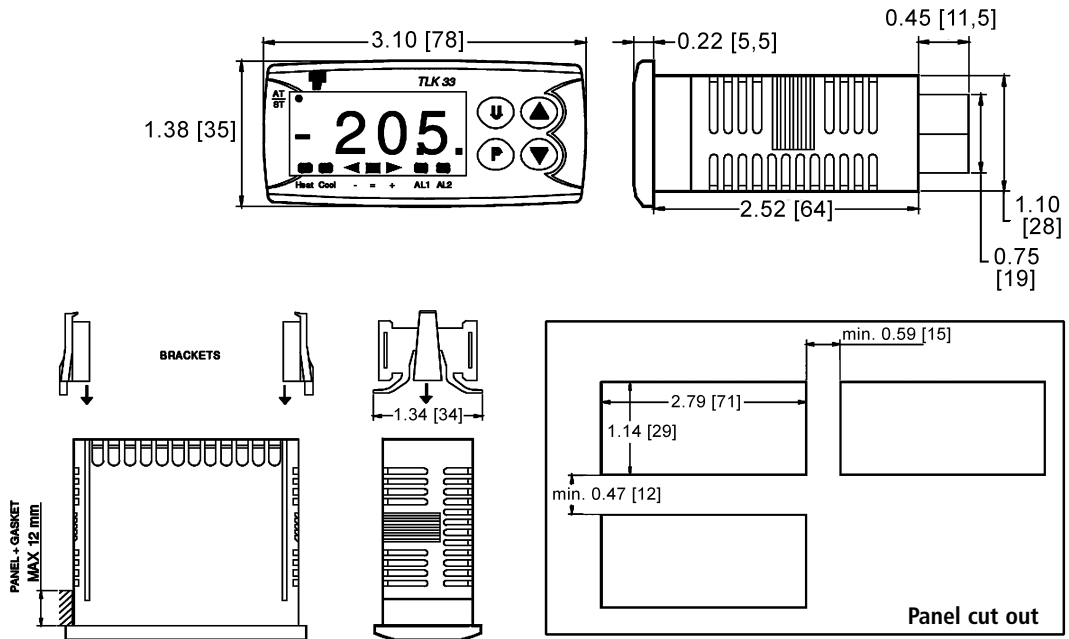
- Control PID double action
- PID functions AUTO TUNING FAST, SELF TUNING, FUZZY OVERSHOOT CONTROL

- Multi Set Point Up to 4 programmable Set Points
- Overall accuracy +/-0,5% full scale (TC S : +/- 1% fs)
- Unit of measurement °C / °F, programmable
- Max. cold junction compensation drift 0,1°C/°C with operating temperature 0...50°C after warm-up time of 20 min.
- Sampling rate 8 sample per second
- Serial communication RS485 with MODBUS-RTU (JBUS) protocol
- Communication rate 1200...38400 baud, programmable
- Display 4 red digit h=12 mm
- Parameters access Protected by password
- Operating temperature 0...50°C
- Operating humidity 30...95 RH% without condensation

**PART NUMBER AND ORDERING**

MODEL NUMBER	PART NUMBER	SWITCHING VOLTAGE VDC	SWITCHING CURRENT AMPS (MAX.)	COMMUNICATIONS
TC-3500	35-44S-30-000	12/24	7	None
TC-3500	35-44S-32-000	12/24	7	RS-485

**DIMENSIONS AND CUTOUT**



Dimensions: Inches [Millimeters]