

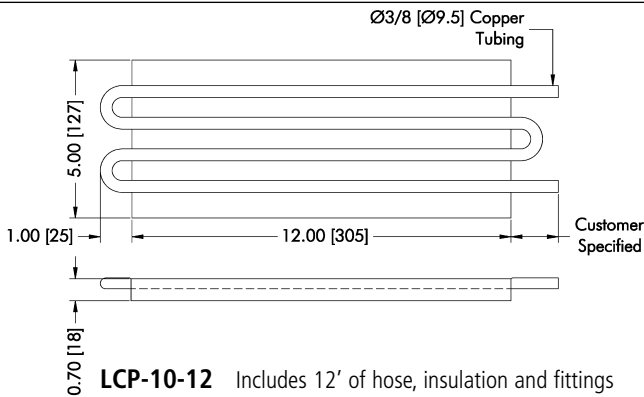
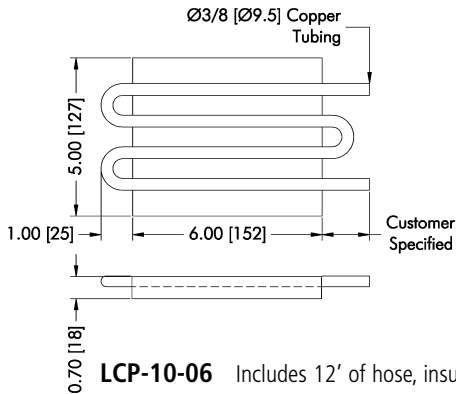
# TLC Liquid Chiller Accessories

Cold Plates and Fan Coils  
Fittings and Cascades

## HEAT EXCHANGERS

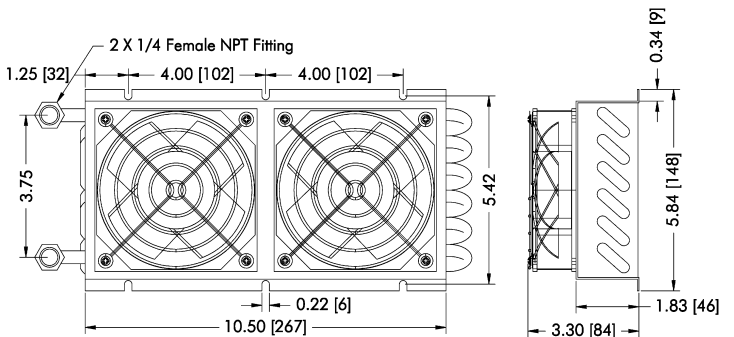
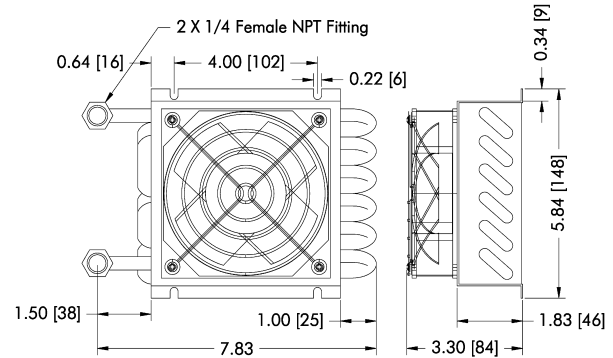
### COLD PLATES

Turn your TLC water chiller into a direct contact cooler using these cold plates. Modify them with your required taps and machining, mount your components, run the flexible hose to the chiller and turn it on. With care the remote sensor feature on select TLC models can be used to control the temperature of the plate or the item being cooled.



### FAN COILS

Use your liquid chiller to cool an enclosure or a flow of air. Cool the inside of your glove box with little vibration and no big holes or air conditioner on the back. Mount the fan coils in your glove box, run the flexible tubing through a port or bulkhead fitting on your glove box to the liquid chiller and begin cooling.



Dimensions: Inches [Millimeters]

## FITTINGS AND QUICK CONNECTS

### MALE QUICK CONNECT WITH NPT

- QCM-F3/8NPT** Male quick connect with female 3/8 NPT
- QCM-F1/4NPT** Male quick connect with female 1/4 NPT
- QCM-M1/2NPT** Male quick connect with male 1/2 NPT
- QCM-M3/8NPT** Male quick connect with male 3/8 NPT

### MALE QUICK CONNECT - HIGH TEMPERATURE

- QCHM-M1/2NPT** Male quick connect, 1/2 MNPT
- QCHM-3/8B** Male quick connect, 3/8" barb
- QCHM-1/2B** Male quick connect, 1/2" barb
- QCHM-3/4B** Male quick connect, 3/4" barb

### MALE QUICK CONNECT WITH BARB

- QCM-3/8B** Male quick connect with 3/8" barb
- QCM-1/4B** Male quick connect with 1/4" barb
- QCM-3/16B** Male quick connect with 3/16" barb
- QCM-3/8BE** Male quick connect with 3/8" barb elbow

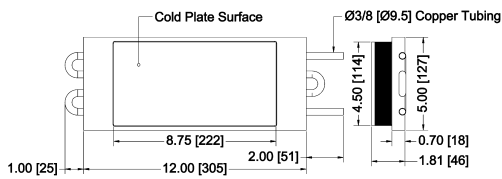
### MISC. QUICK CONNECTS

- QCM-FPLCD** Male quick connect with female PLCD
- QCF-M3/8NPT** Female quick connect with male 3/8 NPT

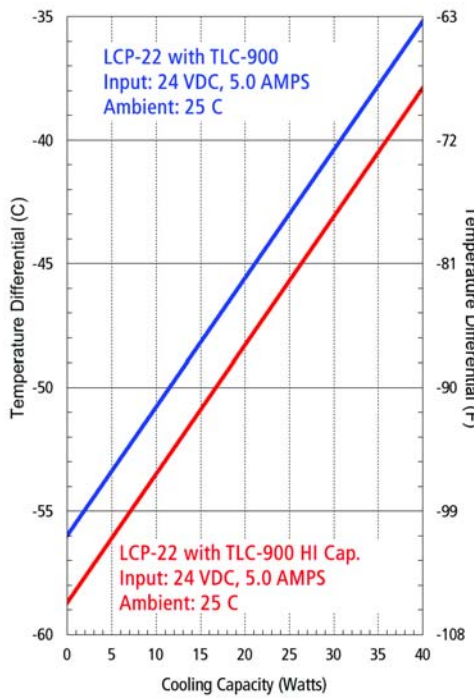
## LOW TEMPERATURE CASCADES FOR USE WITH LIQUID CHILLERS

One thermoelectric stacked on top of another with the goal of increasing the maximum temperature differential is a "cascade". Use these assemblies with the liquid chiller to create 2 and 3 stage cascades. The performance will vary with the degree of insulation, with the amount of the active load and with the ambient temperature.

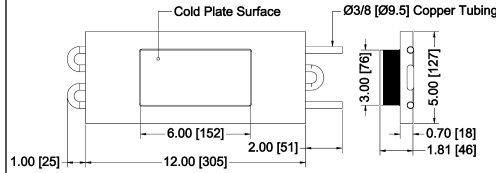
### TWO STAGE - LARGE PLATE



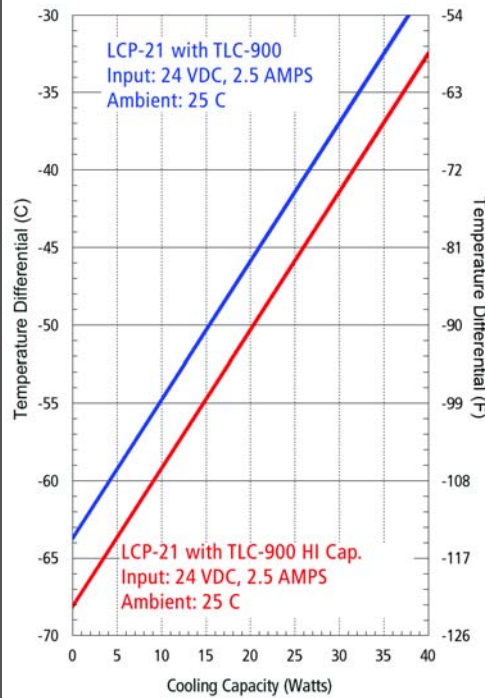
LCP-22



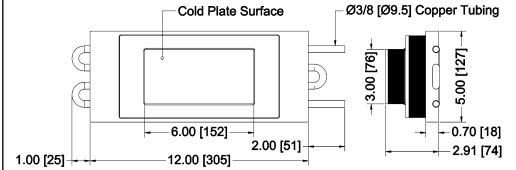
### TWO STAGE - SMALL PLATE



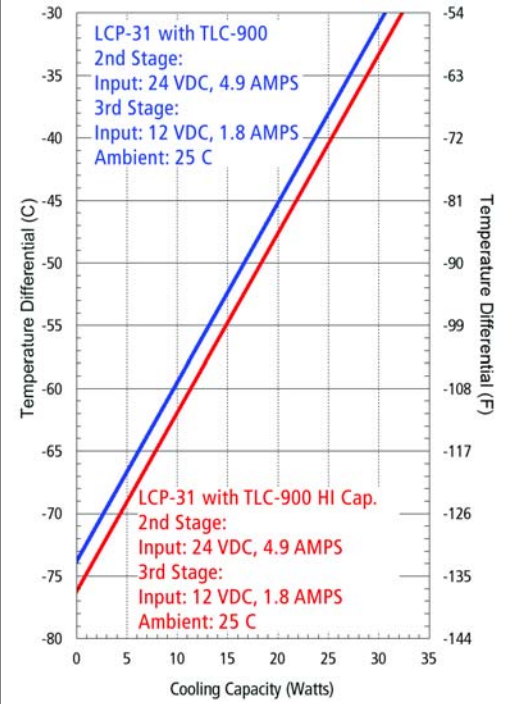
LCP-21



### THREE STAGE



LCP-31



## MISC. ACCESSORIES

### RTD SENSOR

- RTD-PROBE** 100  $\Omega$ , 3 wire, platinum RTD 6" long, 1/8" diameter
- RTD-RING** 100  $\Omega$ , 3 wire, platinum RTD surface mount

### CONVERTER

- C-USB** USB-RS-232 converter "includes adapter, cable and software"

### CABLE

- C-RS232** RS-232 Cable, DB9 Male to DB9 Female 10' long

### HOSE

- HOSE-01** Standard hose, 3/8" ID, per foot
- HOSE-02** High temperature hose, 3/8" ID, per foot

Purchase by the foot

### INSULATION

- INS-01** Single hose insulation, 5/8" ID  
6' Lengths

### FILTERS

- FBL-100** Low profile filter body and bowl
- FML-20** Filter screen, 20 Mesh (915 Micron)
- FML-40** Filter screen, 40 Mesh (480 Micron)
- FML-80** Filter screen, 80 Mesh (178 Micron)
- FML-100** Filter screen, 100 Mesh (80 Micron)
- FML-250** Filter screen, 250 Mesh (40 Micron)