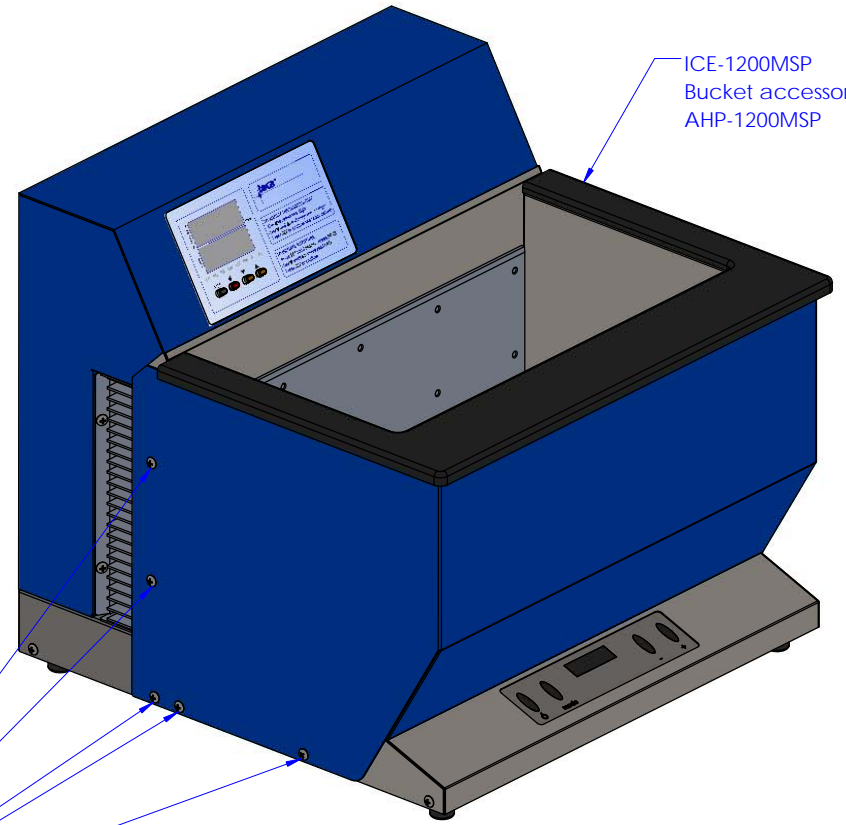


AHP-1200MSP
Magnetic Stirring Cold/Hot Plate



ICE-1200MSP
Bucket accessory for
AHP-1200MSP

Unscrew and remove (10) 6-32 x 1/4 Truss head screws
(5 per side)

Reinstall (10) 6-32 x 1/4 Truss head screws
to secure ICE-1200MSP in place
(5 per side)

UNLESS OTHERWISE SPECIFIED:		NAME	DATE	 ThermoElectric Cooling America Corporation Chicago, Illinois U.S.A.
DIMENSIONS ARE IN INCHES		DRAWN	AA	
TOLERANCES:		CHECKED		
FRACTIONAL ±		PROPRIETARY AND CONFIDENTIAL THE INFORMATION CONTAINED IN THIS DRAWING IS THE SOLE PROPERTY OF TECA CORPORATION. ANY REPRODUCTION IN PART OR AS A WHOLE WITHOUT THE WRITTEN PERMISSION OF TECA CORPORATION IS PROHIBITED.		
ANGULAR: MACH ± BEND ±		ICE-1200MSP		
TWO PLACE DECIMAL ±		INSTALLATION GUIDE		
THREE PLACE DECIMAL ±		SIZE DWG. NO. REV A SK170728		
INTERPRET GEOMETRIC TOLERANCING PER:		S1116 SHEET 1 OF 1		
MATERIAL				
FINISH				
DO NOT SCALE DRAWING				