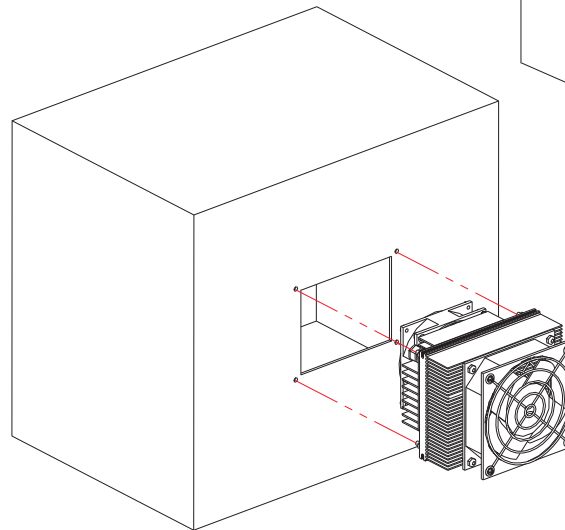
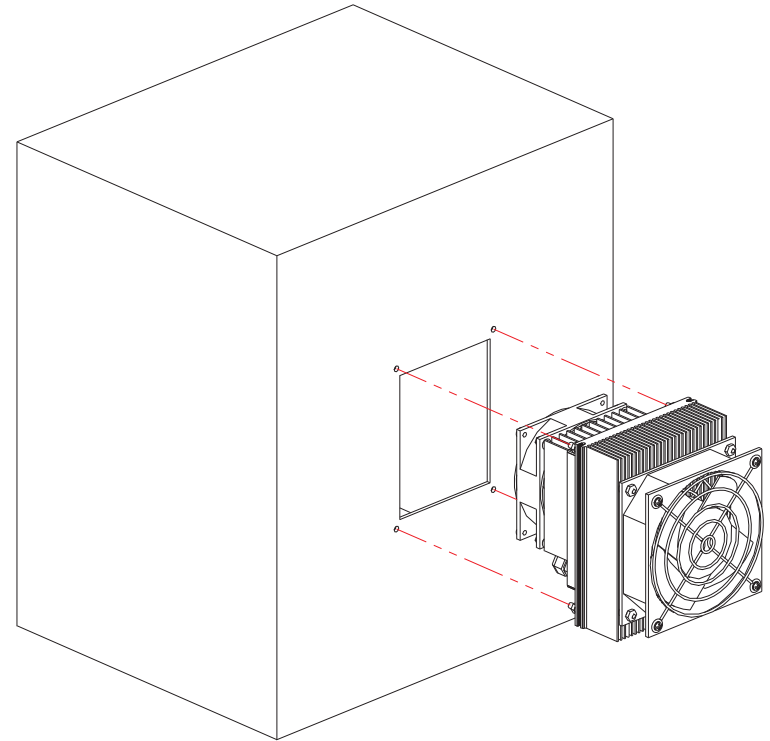
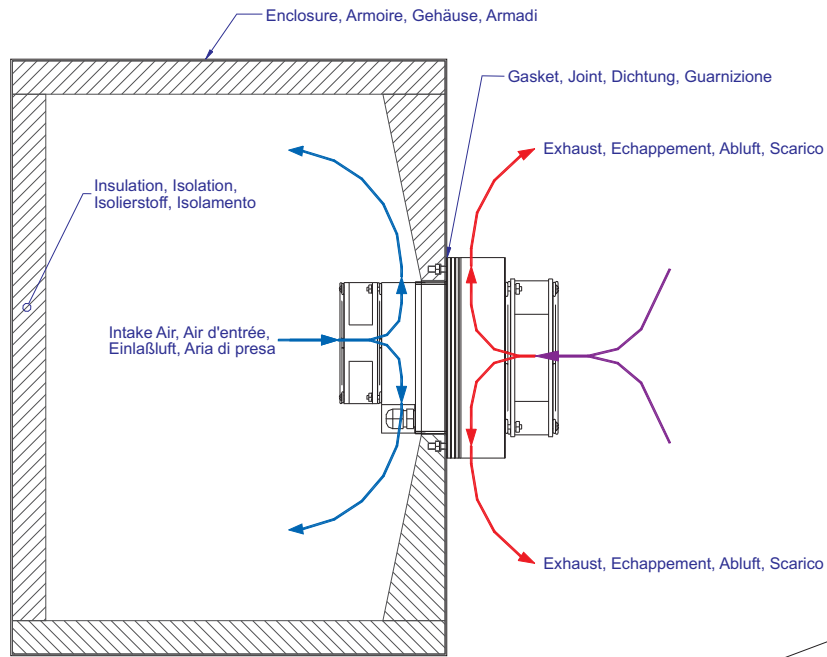
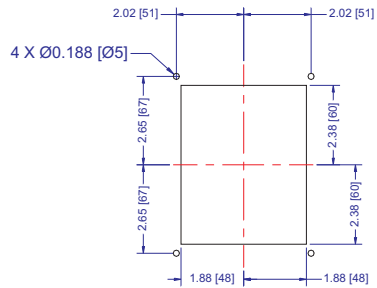


Mounting, Monture, Montage, Montaggio



MOUNTING CUTOUT DIMENSIONS



Alternate, Alternative, Alternative, Alternativa

English, Français, Deutsch, Italiano
Dimensions: Inches [Millimeters]

INFORMATION DISCLOSED
HEREIN IS THE
CONFIDENTIAL PROPERTY
OF TECA CORP. RECIPIENT
SHALL NOT USE THE
INFORMATION IN ANY
UNAUTHORIZED MANNER.

FINISH:

UNLESS OTHERWISE SPECIFIED
DIMENSIONS ARE IN INCHES
TOLERANCES ARE:

DECIMALS	ANGLE
.XX +/-	+/-
.XXX +/-	FRACTION +/-

MATERIAL:

THERMOELECTRIC COOLING AMERICA CORP.

**AHP-250, AHP-270 SERIES
TYPICAL FIELD MOUNTING**

DRAWN BY:
AA
DATE:
03/10/2014
D9052

DRAWING #
SK140314

SCALE

MASTER:
SK140313

REV
LEVEL

SHEET

REV	DESCRIPTION	Date	APPROVED