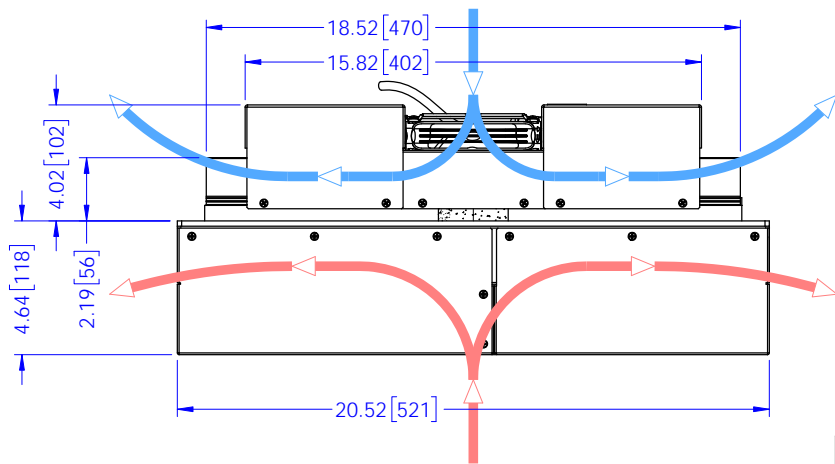
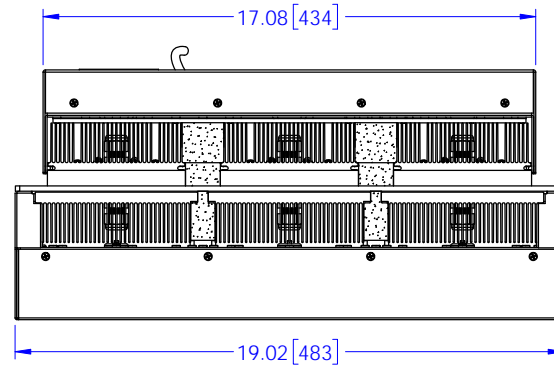


Cold Side Air Flow Pattern



Hot Side Air Flow Pattern



UNLESS OTHERWISE SPECIFIED:

DIMENSIONS ARE IN INCHES
TOLERANCES:
FRACTIONAL ±
ANGULAR: MACH ± BEND ±
TWO PLACE DECIMAL ±
THREE PLACE DECIMAL ±

INTERPRET GEOMETRIC
TOLERANCING PER:

MATERIAL

FINISH

DO NOT SCALE DRAWING

NAME DATE

DRAWN AA 10/04/16

CHECKED

PROPRIETARY AND CONFIDENTIAL

THE INFORMATION CONTAINED IN THIS
DRAWING IS THE SOLE PROPERTY OF
TECA CORPORATION.
ANY REPRODUCTION IN PART OR AS A WHOLE
WITHOUT THE WRITTEN PERMISSION OF
TECA CORPORATION IS PROHIBITED.

teca®

ThermoElectric Cooling America Corporation
Chicago, Illinois U.S.A.

AHP-3259 SERIES
ASSEMBLY

SIZE
A

DWG. NO.

SK161003

REV

S0745

SHEET 1 OF 1