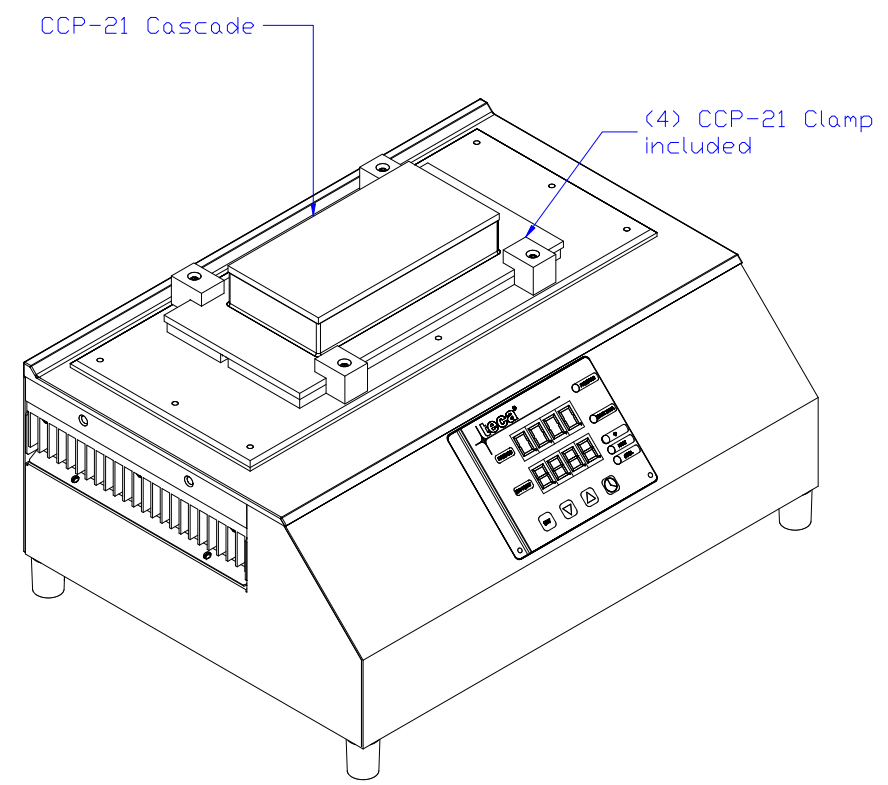
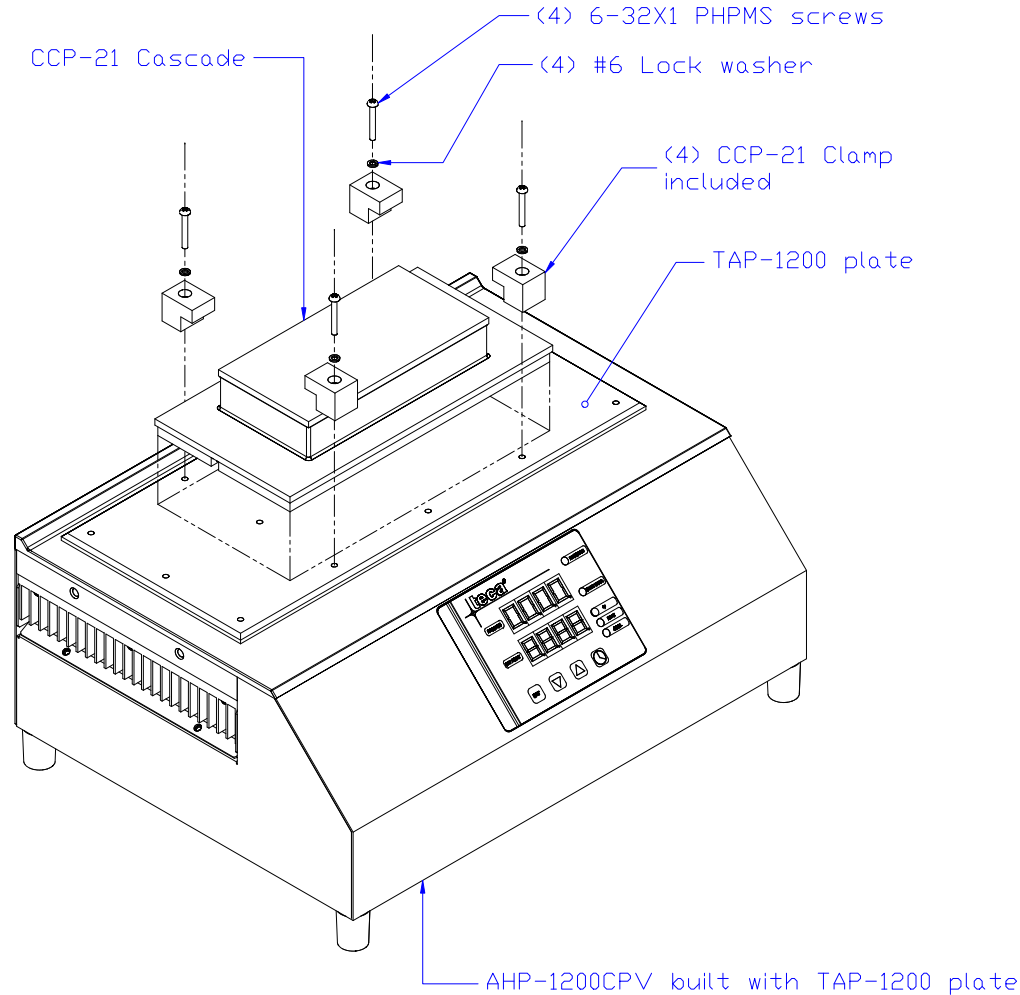


Caution:

The plate surfaces on AHP-1200CPV and CCP-21 cascade are precision machined flat surfaces. Do not damage or scratch these surfaces. Ensure they remain clean and free of dust and any other particles.



INFORMATION DISCLOSED HEREIN IS THE CONFIDENTIAL PROPERTY OF TECA CORP. RECIPIENT SHALL NOT USE THE INFORMATION IN ANY UNAUTHORIZED MANNER.	UNLESS OTHERWISE SPECIFIED DIMENSIONS ARE IN INCHES TOLERANCES ARE:		THERMOELECTRIC COOLING AMERICA CORP.		
	DECIMALS .XX +/- .XXX +/-	ANGLE +/- FRACTION +/-			
FINISH:	MATERIAL:	DRAWN BY: AA	DRAWING # SK080712		REV LEVEL
		DATE: 07/14/08	SCALE	MASTER: SK080312	SHEET
REV	DESCRIPTION	Date	APPROVED	D7243	