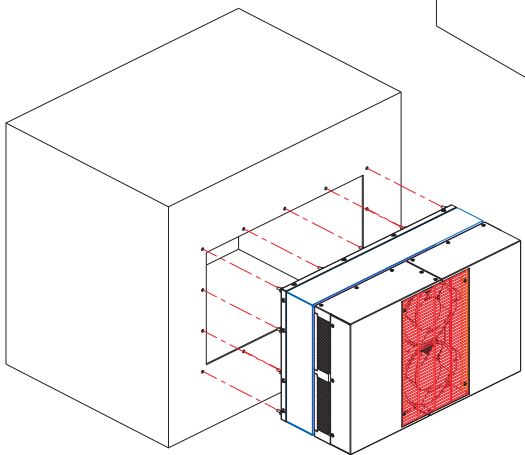
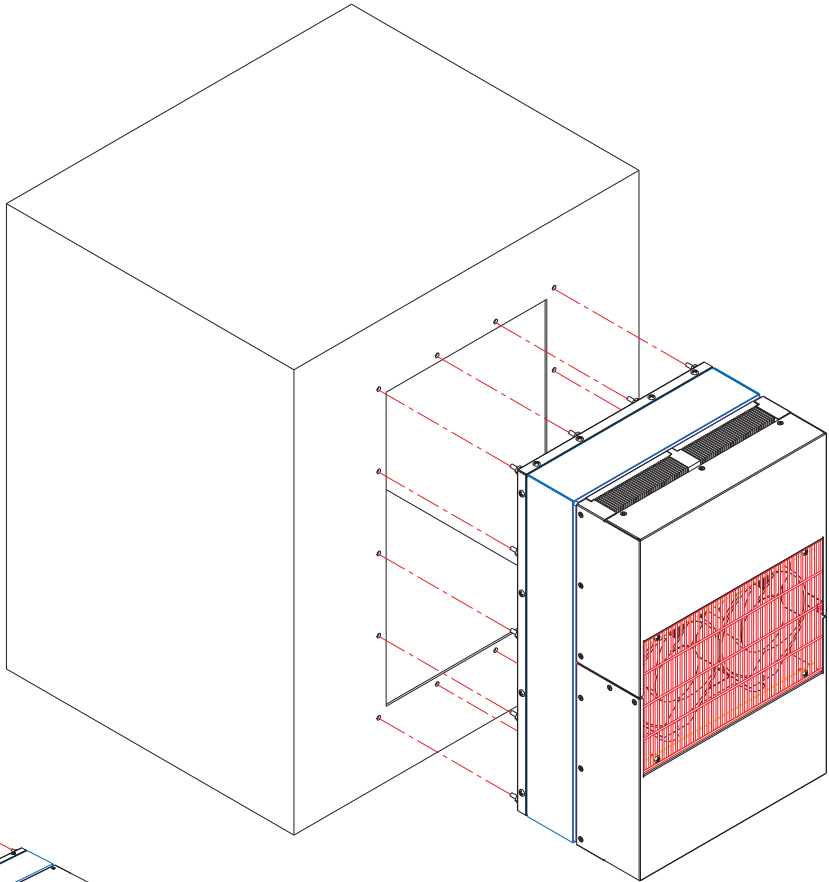
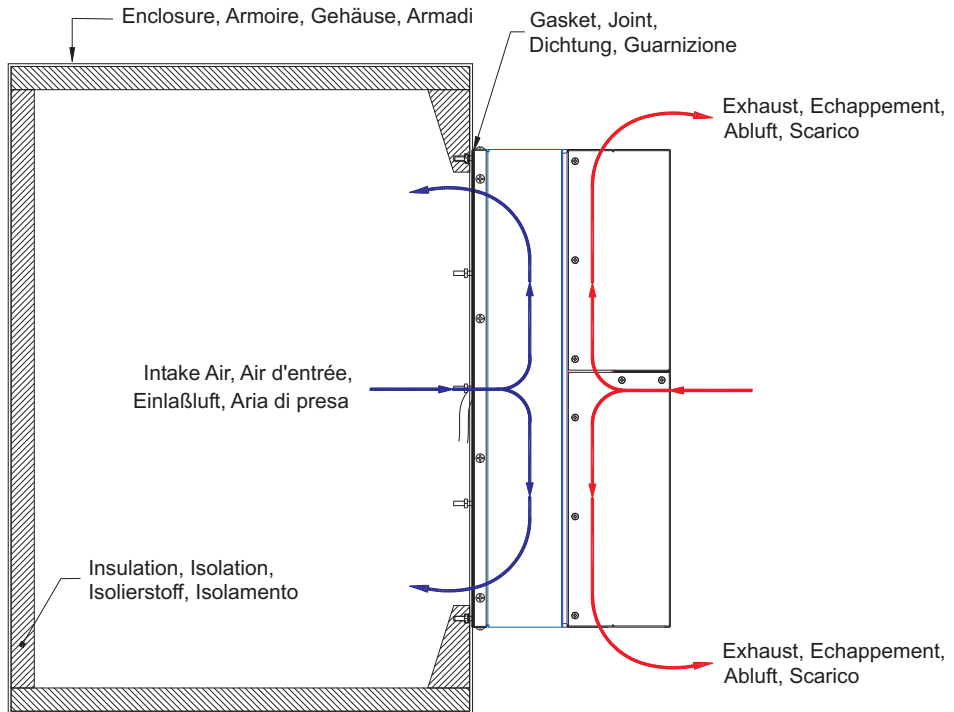
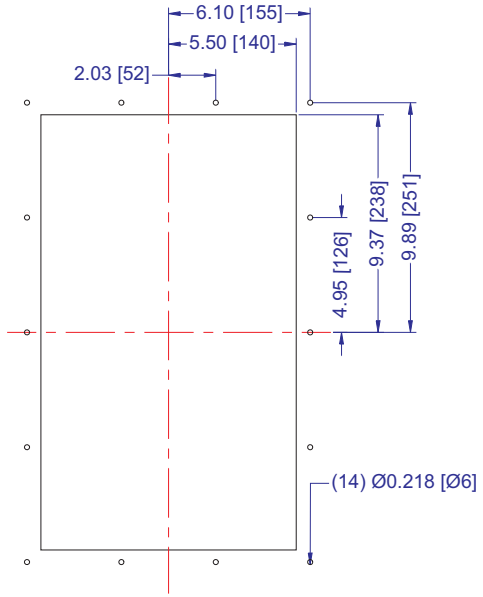


# Mounting, Monture, Montage, Montaggio



Alternate, Alternative, Alternative, Alternativa

## MOUNTING CUTOUT DIMENSIONS



English, Français, Deutsch, Italiano  
Dimensions: Inches [Millimeters]

INFORMATION DISCLOSED HEREIN IS THE CONFIDENTIAL PROPERTY OF TECA CORP. RECIPIENT SHALL NOT USE THE INFORMATION IN ANY UNAUTHORIZED MANNER.

FINISH:

UNLESS OTHERWISE SPECIFIED DIMENSIONS ARE IN INCHES TOLERANCES ARE:

DECIMALS	ANGLE
.XX +/-	+/-
.XXX +/-	FRACTION
	+/-

MATERIAL:

**THERMOELECTRIC COOLING AMERICA CORP.**

FHP-2200 SERIES  
TYPICAL FIELD MOUNTING

DRAWN BY:  
AA

DATE:  
07/22/2013

D8782

DRAWING #

SK130710

SCALE

MASTER:  
MASTER

REV  
LEVEL

SHEET

REV	DESCRIPTION	Date	APPROVED