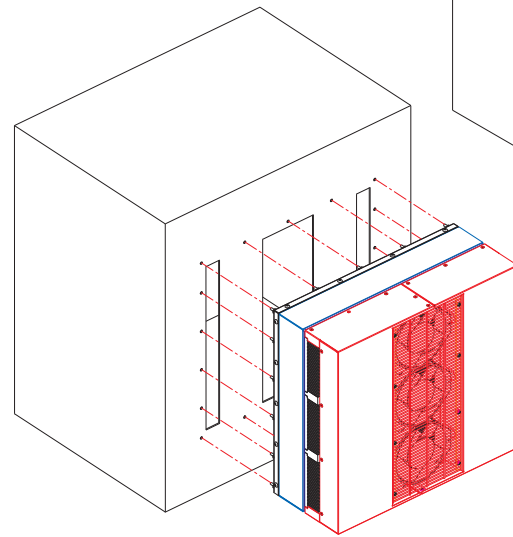
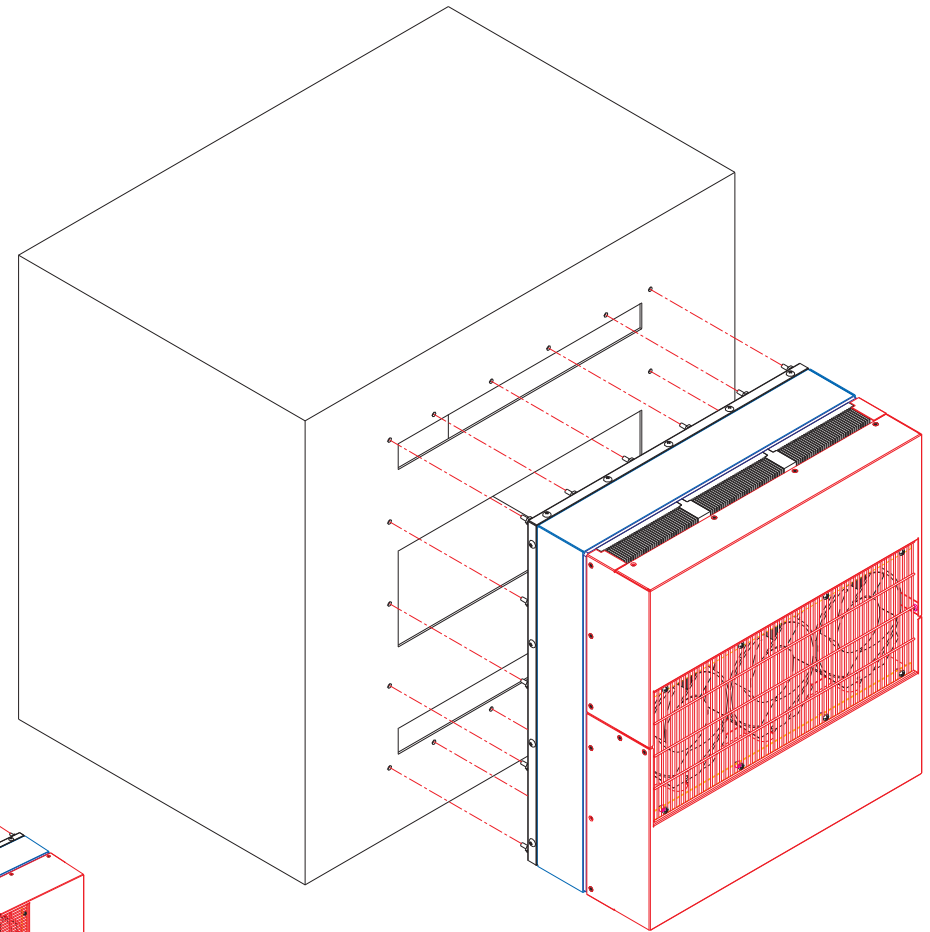
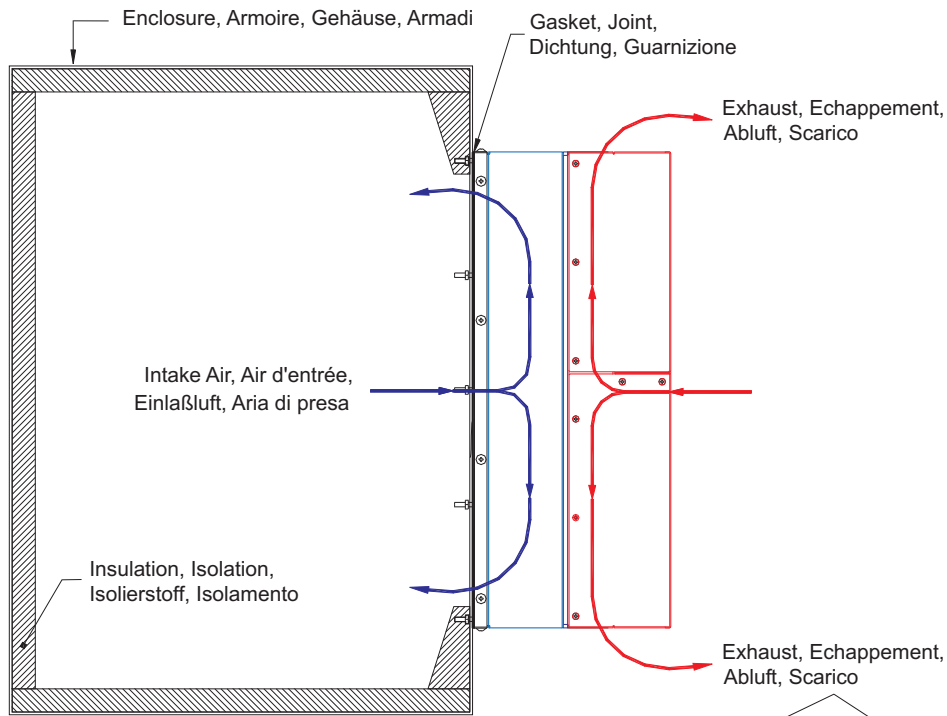
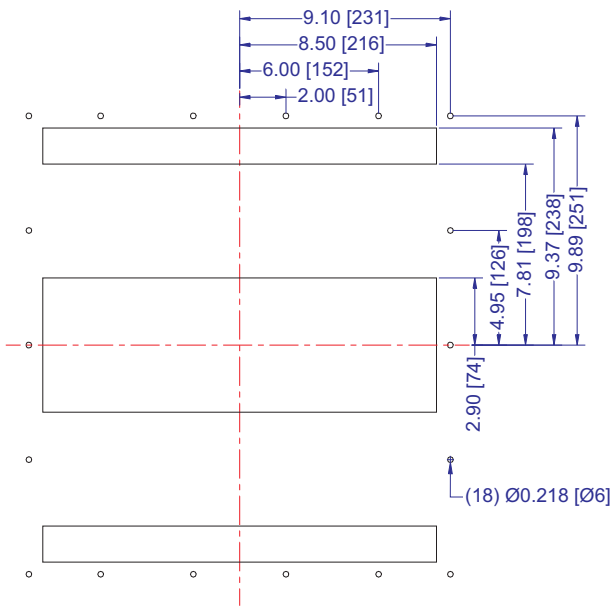


# Mounting, Monture, Montage, Montaggio



Alternate, Alternative, Alternative, Alternativa

## MOUNTING CUTOUT DIMENSIONS



English, Français, Deutsch, Italiano  
Dimensions: Inches [Millimeters]

INFORMATION DISCLOSED  
HEREIN IS THE  
CONFIDENTIAL PROPERTY  
OF TECA CORP. RECIPIENT  
SHALL NOT USE THE  
INFORMATION IN ANY  
UNAUTHORIZED MANNER.

FINISH:

UNLESS OTHERWISE SPECIFIED  
DIMENSIONS ARE IN INCHES  
TOLERANCES ARE:

DECIMALS	ANGLE
.XX +/-	+/-
.XXX +/-	FRACTION
	+/-

MATERIAL:

**THERMOELECTRIC COOLING AMERICA CORP.**

**FHP-3200 SERIES  
TYPICAL FIELD MOUNTING**

DRAWN BY:  
**AA**  
DATE:  
**08/16/2013**  
**D8835**

DRAWING #  
**SK130844**

SCALE

MASTER:  
**MASTER**

REV  
LEVEL

SHEET

REV	DESCRIPTION	Date	APPROVED
-----	-------------	------	----------