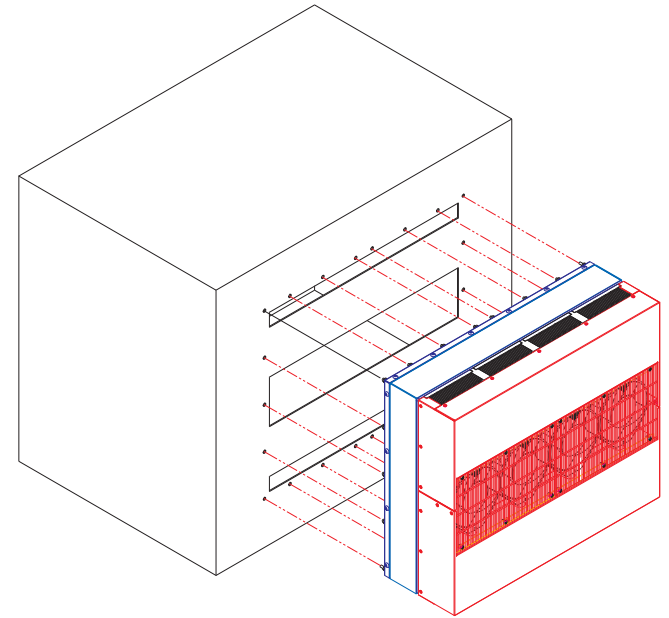
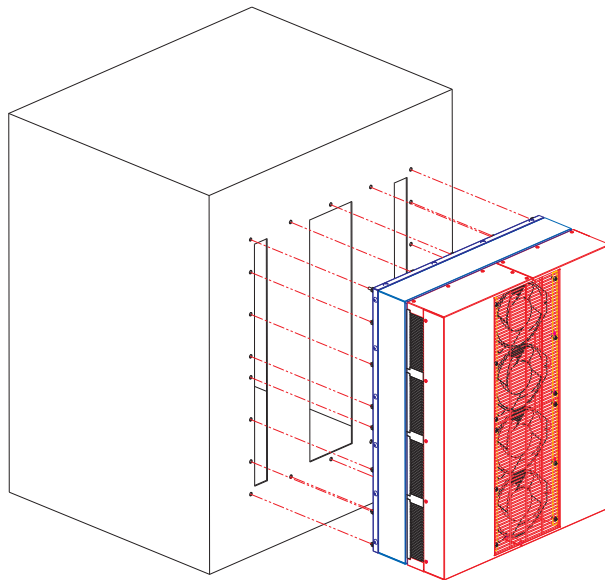
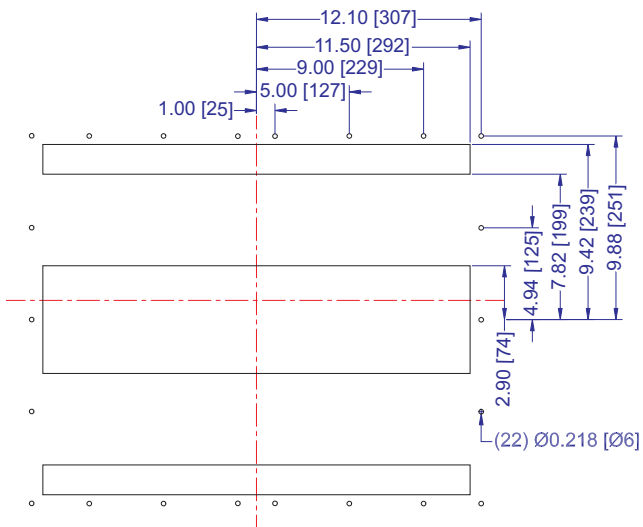


Mounting, Monture, Montage, Montaggio



MOUNTING CUTOUT DIMENSIONS



English, Français, Deutsch, Italiano
Dimensions: Inches [Millimeters]

INFORMATION DISCLOSED
HEREIN IS THE
CONFIDENTIAL PROPERTY
OF TECA CORP. RECIPIENT
SHALL NOT USE THE
INFORMATION IN ANY
UNAUTHORIZED MANNER.

UNLESS OTHERWISE SPECIFIED
DIMENSIONS ARE IN INCHES
TOLERANCES ARE:

| | |
|----------|----------|
| DECIMALS | ANGLE |
| .XX +/- | +/- |
| .XXX +/- | FRACTION |
| | +/- |

THERMOELECTRIC COOLING AMERICA CORP.

**FHP-4200 SERIES
TYPICAL FIELD MOUNTING**

FINISH:

MATERIAL:

DRAWN BY: AA

DRAWING #

REV. LEVEL

DATE: 12/11/2013

SK131228

D8975

SCALE

MASTER: MASTER

SHEET

| REV | DESCRIPTION | Date | APPROVED |
|-----|-------------|------|----------|
| | | | |