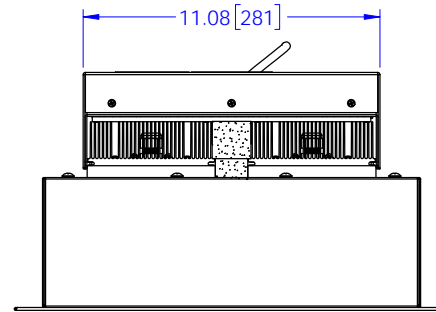
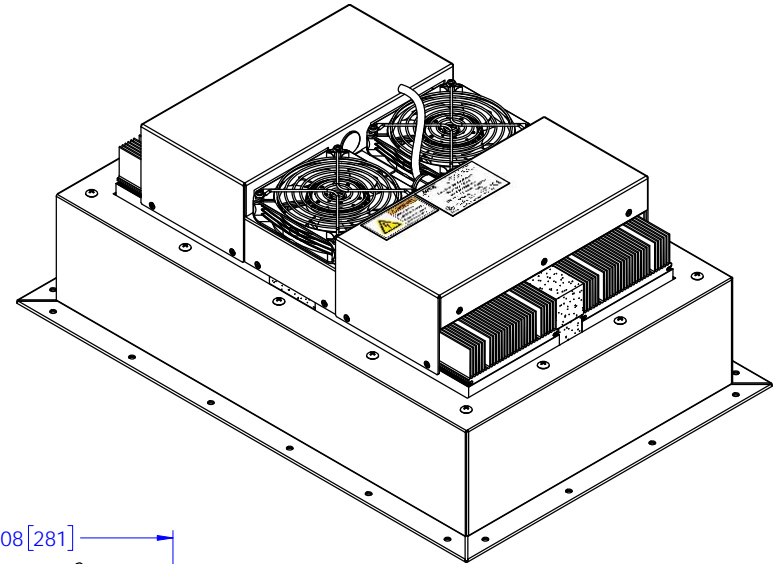
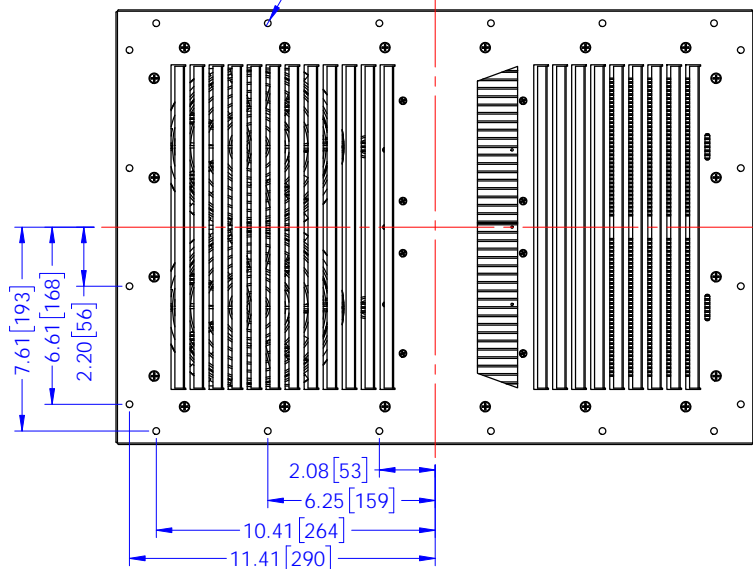


20 x ϕ 0.250 [6] Mounting Holes



UNLESS OTHERWISE SPECIFIED:

DIMENSIONS ARE IN INCHES
 TOLERANCES:
 FRACTIONAL \pm
 ANGULAR: MACH \pm BEND \pm
 TWO PLACE DECIMAL \pm
 THREE PLACE DECIMAL \pm

INTERPRET GEOMETRIC
 TOLERANCING PER:

MATERIAL

FINISH

DO NOT SCALE DRAWING

NAME DATE

DRAWN AA 08/10/16

CHECKED

PROPRIETARY AND CONFIDENTIAL

THE INFORMATION CONTAINED IN THIS
 DRAWING IS THE SOLE PROPERTY OF
 TECA CORPORATION.
 ANY REPRODUCTION IN PART OR AS A WHOLE
 WITHOUT THE WRITTEN PERMISSION OF
 TECA CORPORATION IS PROHIBITED.

teca[®]

ThermoElectric Cooling America Corporation
 Chicago, Illinois U.S.A.

IHP-2259 SERIES
 ASSEMBLY

SIZE
A

DWG. NO.
SK160821

REV

S0683

SHEET 1 OF 1