

Product Information Packet

Model AHP-1 200XP-1

NEMA 4-X, Class I Div 2, Solid State Air Conditioner

for Remote Temperature Control

Part #0-3070-2-010

Thank you for your purchase. Information has been enclosed regarding the installation, specifications, and wiring of your solid-state assembly. Please read and follow all instructions carefully before installation. Only qualified technicians should install this equipment.

If you have any questions regarding your equipment, please do not hesitate to call us at 773-342-4900, and we will be happy to assist you. We are open from 8:00 am-4:30 pm Central Time.

Included in this packet you will find:

Installation Notes for Air Conditioners

Product Literature and Specifications

Assembly Drawing # 1200-B-A13

Wiring Drawing # 1200-B-E65

Installation Drawing # 1200-A-F60

Warranty Information

The logo for Teca, featuring the word "teca" in a bold, lowercase, sans-serif font. The letter "t" is stylized with a vertical line extending upwards from its stem. The logo is positioned on the left side of the page, above a horizontal line.

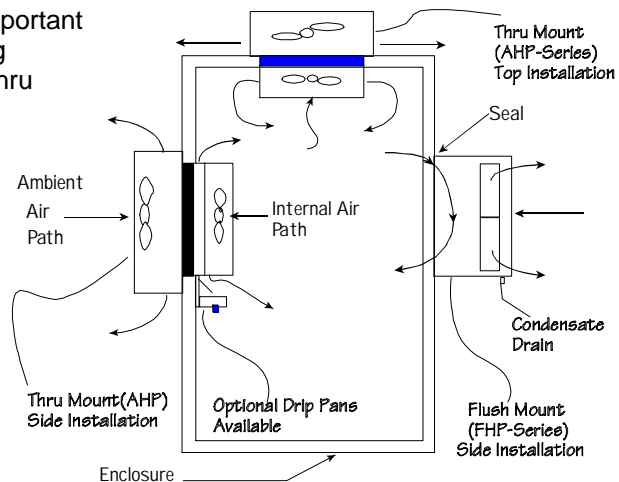
ThermoElectric Cooling America Corporation
4048 W. Schubert Avenue • Chicago, IL (U.S.A.) 60639
Ph: 773/342-4900 Fx: 773/342-0191
sales@thermoelectric.com www.thermoelectric.com

Important Installation Notes for Air Conditioners

Mounting Styles: Both 'thru mount' and 'flush mount' units can be positioned in any orientation and on any enclosure surface. It is important to consider interior air flow patterns when determining the mounting location. Also of importance is an unrestricted flow of ambient air thru the hot side heat exchanger. Ease of access and inspection must be considered for those applications in particularly severe environments which may require occasional maintenance.

Vertical (Side/Front/Back) Mounting:

Vertical mounting refers to the vertical direction of the cold side or interior fins and is recommended for applications with high humidity, poor and incomplete cabinet seals or any condition which may cause the cold side fins to be maintained at temperatures below the dew point for long periods of time allowing for the formation of condensation. The vertical fin direction provides a drip path whereupon condensation can be collected via a moisture removal system (standard on FHP-units) or a drip pan positioned below the cold side fins. Drip pans are optional for thru mount units.



Condensate Removal System:

All FHP-Series and AHP-1400 air conditioners contain a built-in condensate removal system. The condensate kit consists of a antifungal sponge with a condensate wick. PVC tubing is also provided for drainage. Drip pans are optional for thru mount units which must be evaluated on an individual basis. Equations defining a relationship between the cold side fin and enclosure temperatures are provided to assist in the evaluation.

Top Mounting:

Though often the easiest location to mount it is often the most difficult to protect from condensation in this orientation due to the fin orientation, gravity and any susceptible components below. If a drip pan is employed by the end user use caution to place the pan far enough away from the internal fan to minimize the restriction of air flow. The pan should cover the fin ends as well as the fan area. When there is a choice, the vertical orientation is preferred by most users.

Maintenance:

Since the technology is solid-state, there are no filters, compressors, or fluorocarbons to maintain. The only moving parts are the fans. It is recommended for harsh or dirty environments that the heat sinks be cleaned from time to time. This can be accomplished by directing compressed air over the external fins or on NEMA 4 versions by hosing the unit down. This will increase the overall life and performance of the system.

Cautions:

Take care when mounting not to damage the seal between the hot and cold side sinks. Do not attempt to mount a unit to a warped surface or try to make the units mounting surface conform to an unflat surface. Do not pinch or damage any leads when mounting. Do not over tighten any installation screw, use reasonable force. Always mount with any condensate drain down. Do not compress the cold side between the hot side and any other surface. Do not obstruct the airflow on either side. When mounting consider the natural air flows of the enclosure. Connect power only after the installation is complete.

Notes on condensation:

Condensation occurs at the cold side fins when the surface temperature goes below the dew point. To reduce or remove condensate, consider the following:

- Regulate the Fin Temperature above the Dewpoint.
- Keep Enclosure Closed and Sealed from Outside Humidity.
- Use Desiccant (Moisture absorbing Granules.)
- Employ Condensate Removal System/Drip Pans.

If you have any questions regarding your installation, Please feel free to contact our technical department for assistance at 773-342-4900.

AHP-1200EP

Air Conditioner

Air Cooled
Thru Mount
NEMA-12, 4X, Class I Div 2

120 VAC, 240 VAC Input
Hazardous Location

FEATURES

- Compact, (only 15" L X 7.35" W X 8.17" D)
- Weighs only 21 lbs. (9.5 kg)
- Excels in high ambient temperatures
- Environmentally safe
- Dual voltage versions available
- No compressor, fluorocarbons or filters
- Virtually maintenance-free operation
- Stainless steel exterior housing
- Versions to withstand corrosive environments, shock and vibration
- Mounts and operates in any orientation
- Groups A, B, C, D

INCLUDES

- Adjustable temperature control
- Gasket and mounting hardware
- Power input line cord

OPTIONS

- Other temperature settings for single set point controls



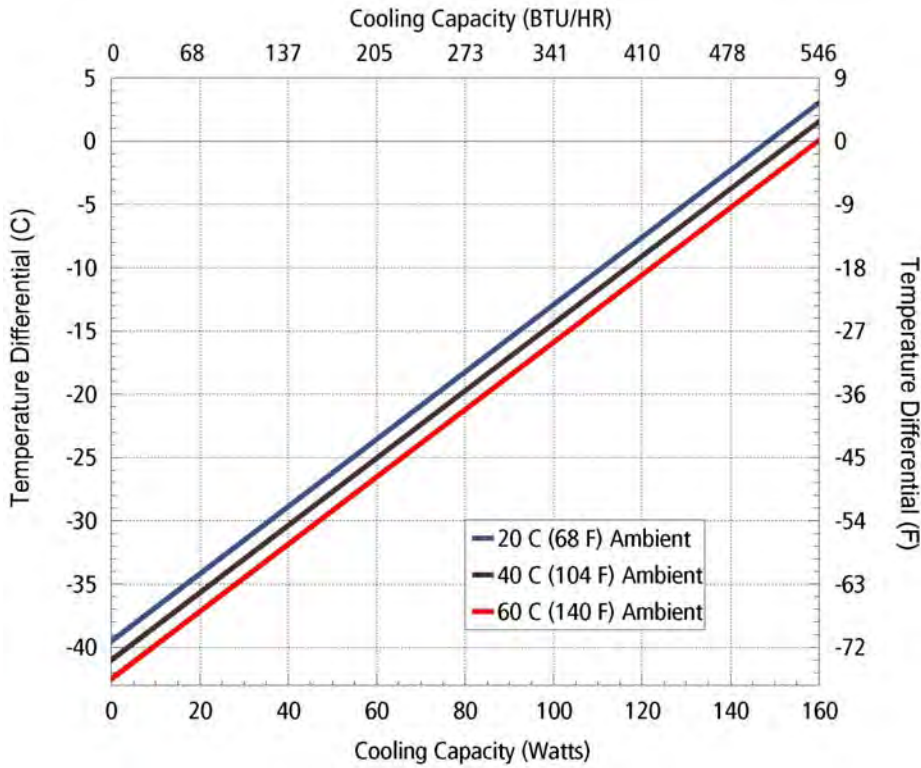
SPECIFICATIONS

	MODEL	PART NUMBER	PERFORMANCE RATING BTU/HR	VOLTAGE VAC 50/60HZ	CURRENT AMPS.	WEIGHT LBS.(KG)	TEMP. CONTROL	OPERATING AMBIENT TEMPERATURE °C	OPERATING ENCLOSURE TEMPERATURE RANGE °C	AGENCY APPROVALS
NEMA 12	AHP-1200EP	0-3080-0-003	500-550	120	4.0	21(9.5)	TC-6F	-40/+63	-10/+60	UL1604/UL1995/CSA22.2
	AHP-1200EP	0-30F0-0-004	500-550	120	4.0	21(9.5)	85°F (30°C)	-40/+63	-10/+60	UL1604/UL1995/CSA22.2
	AHP-1200EP-1	0-3070-0-010	500-550	120	4.0	21(9.5)	EXT*	-40/+63	-10/+60	UL1604/UL1995/CSA22.2
	AHP-1200EPHC	0-3030-1-007	500-550	120	4.0	21(9.5)	TC-3F	-40/+63	-10/+60	UL1604/UL1995/CSA22.2
	AHP-1200EPHC-1	0-3070-1-009	500-550	120	4.0	21(9.5)	EXT*	-40/+63	-10/+60	UL1604/UL1995/CSA22.2
CIND 2	AHP-1201EP	0-3081-0-003	500-550	120/240	4.0/2.0	29(13.2)	TC-6F	-40/+63	-10/+60	UL1604/UL1995/CSA22.2
	AHP-1201EP	0-30F1-0-004	500-550	120/240	4.0/2.0	29(13.2)	85°F (30°C)	-40/+63	-10/+60	UL1604/UL1995/CSA22.2
	AHP-1201EP-1	0-3071-0-010	500-550	120/240	4.0/2.0	29(13.2)	EXT*	-40/+63	-10/+60	UL1604/UL1995/CSA22.2
	AHP-1201EPHC	0-3031-1-007	500-550	120/240	4.0/2.0	29(13.2)	TC-3F	-40/+63	-10/+60	UL1604/UL1995/CSA22.2
	AHP-1201EPHC-1	0-3071-1-009	500-550	120/240	4.0/2.0	29(13.2)	EXT*	-40/+63	-10/+60	UL1604/UL1995/CSA22.2
NEMA 4X	AHP-1200XP	0-3080-2-003	500-550	120	4.0	21(9.5)	TC-6F	-40/+71	-10/+60	UL1604/UL1995/CSA22.2
	AHP-1200XP	0-30F0-2-004	500-550	120	4.0	21(9.5)	85°F (30°C)	-40/+71	-10/+60	UL1604/UL1995/CSA22.2
	AHP-1200XP-1	0-3070-2-010	500-550	120	4.0	21(9.5)	EXT*	-40/+71	-10/+60	UL1604/UL1995/CSA22.2
	AHP-1200XPHC	0-3030-3-007	500-550	120	4.0	21(9.5)	TC-3F	-40/+71	-10/+60	UL1604/UL1995/CSA22.2
	AHP-1200XPHC-1	0-3070-3-009	500-550	120	4.0	21(9.5)	EXT*	-40/+71	-10/+60	UL1604/UL1995/CSA22.2
CIND 2	AHP-1201XP	0-3081-2-014	500-550	120/240	4.0/2.0	29(13.2)	TC-6F	-40/+71	-10/+60	UL1604/UL1995/CSA22.2
	AHP-1201XP	0-30F1-2-020	500-550	120/240	4.0/2.0	29(13.2)	85°F (30°C)	-40/+71	-10/+60	UL1604/UL1995/CSA22.2
	AHP-1201XP-1	0-3071-2-012	500-550	120/240	4.0/2.0	29(13.2)	EXT*	-40/+71	-10/+60	UL1604/UL1995/CSA22.2
	AHP-1201XPHC	0-3031-3-011	500-550	120/240	4.0/2.0	29(13.2)	TC-3F	-40/+71	-10/+60	UL1604/UL1995/CSA22.2
	AHP-1201XPHC-1	0-3071-3-013	500-550	120/240	4.0/2.0	29(13.2)	EXT*	-40/+71	-10/+60	UL1604/UL1995/CSA22.2

* Unit is set for 5-32 VDC external signal, relay(s) included

AHP-1200EP

PERFORMANCE CURVE



Equation of line: $y = \Delta T(^{\circ}C) \quad x = \text{Capacity (Watts)}$

Ambient Temp	20°C	40°C	60°C
Enclosure Air	$y = .266x - 39.5$	$y = .266x - 41.0$	$y = .266x - 42.5$
Cold Sink	$y = .173x - 39.5$	$y = .173x - 41.0$	$y = .173x - 42.5$

MOUNTING STYLE

Thru Mount

ENVIRONMENTS SERVED

Class 1 Div 2 NEMA-12 IP 52
 Class 1 Div 2 NEMA-4X IP 56

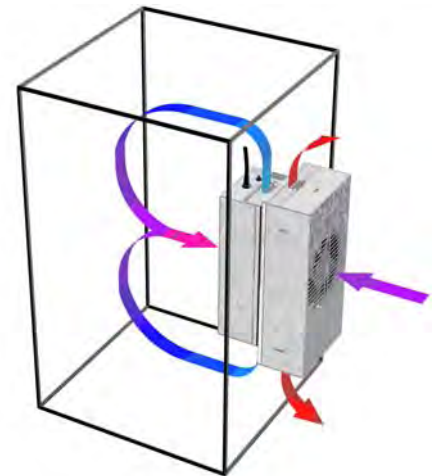
RATING (TRADITIONAL)

530 BTU/hr @ 0 °F ΔT
 670 BTU/hr @ +20 °F ΔT *

RATING (DIN 3168)

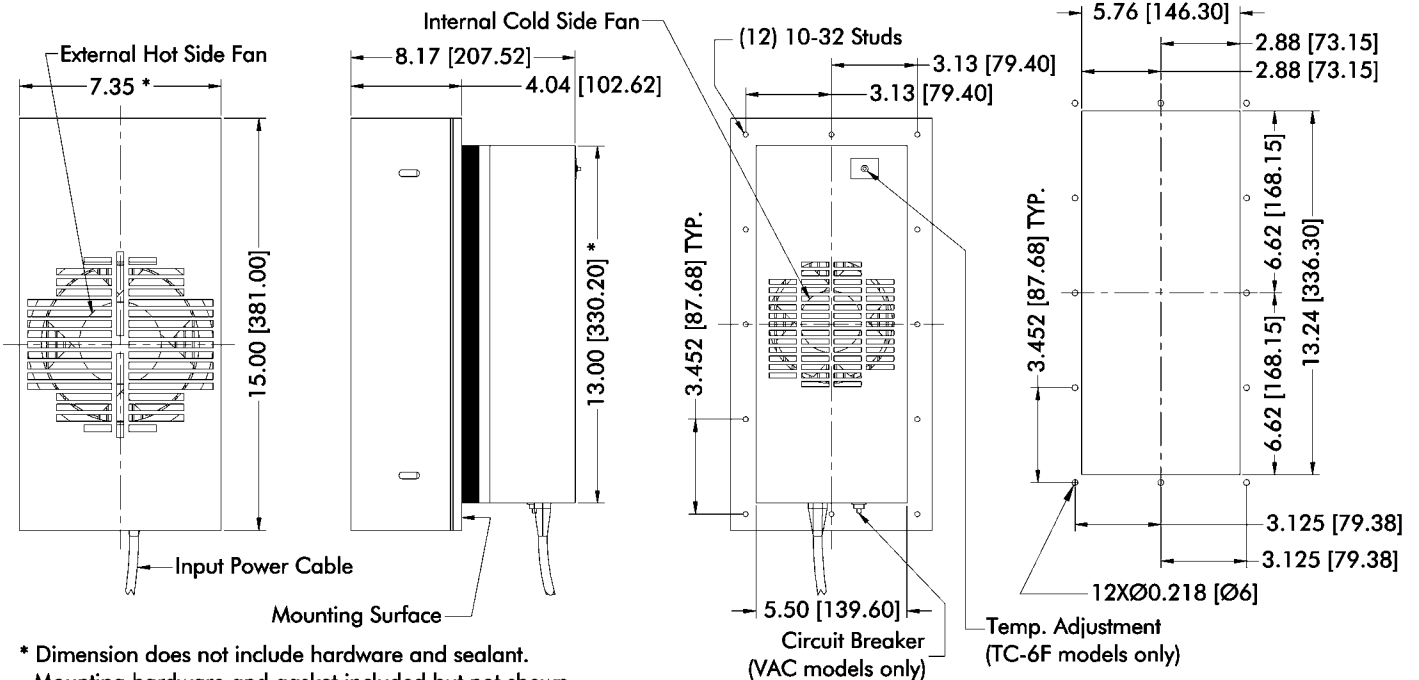
154 Watts L35 L35
 100 Watts L35 L50

* See page 10



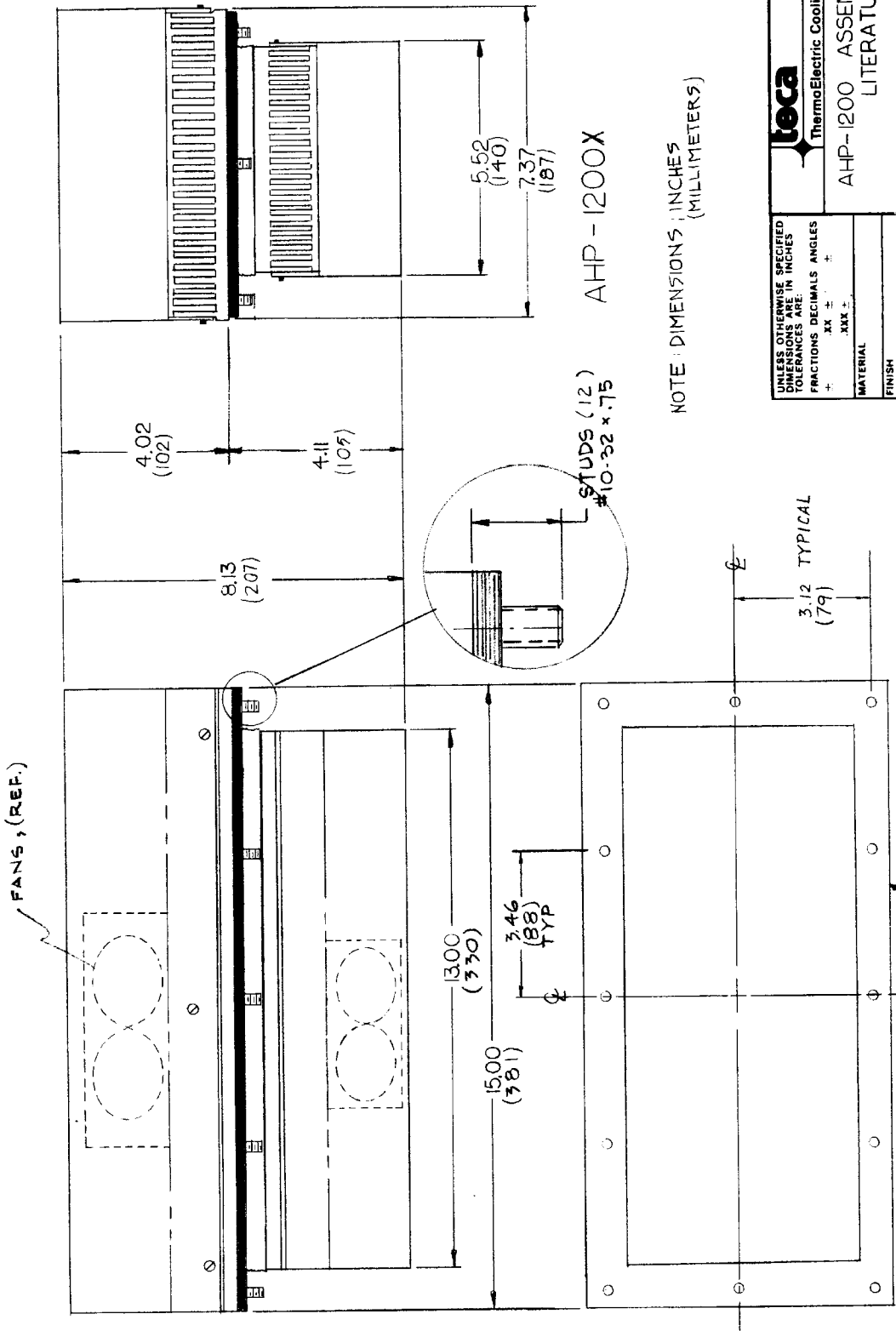
Air Flow Pattern

DIMENSIONS



* Dimension does not include hardware and sealant.
 Mounting hardware and gasket included but not shown.
 Dimensions: Inches [Millimeters]

LTR	DESCRIPTION	DATE	APPROVED
A	CHANGED NUMBER OF STUDS AND DRAWING NUMBER	12-10-88	T. Z.
B	ADD METRIC DIMENSIONS	03.23.90	I.N.

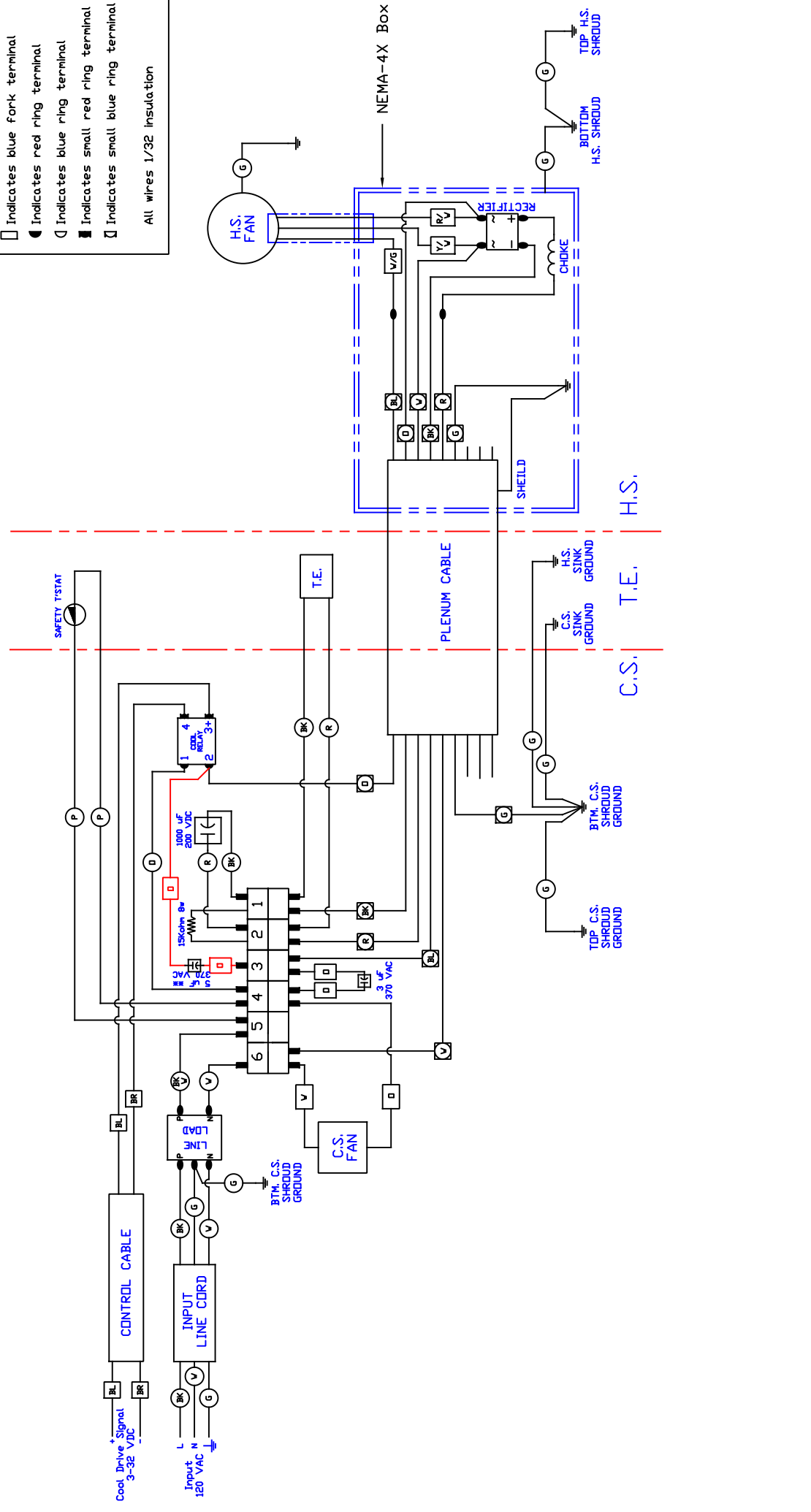


AHP - 1200X

NOTE: DIMENSIONS IN INCHES (MILLIMETERS)

		ThermoElectric Cooling America Corp.	
AHP-1200 ASSEMBLY FOR LITERATURE			
UNLESS OTHERWISE SPECIFIED TOLERANCES ARE:		FRACTIONS DECIMALS ANGLES	
+	XX ±	+	+
+	.XX ±	+	+
MATERIAL		FINISH	
APPROVALS		DATE	
DRAWN G.M.		2-11-88	
CHECKED		SIZE	
DRAWING NO.		1200-B-A13	
SCALE 1" = 3/8"		SHEET	
DCT00		OF	

- Indicates 18 AWG wires
 - Indicates 20 AWG wires
 - Indicates 22 AWG wires
 - Indicates plenum cable wires
 - Indicates solder connection
 - Indicates red fork terminal
 - Indicates blue fork terminal
 - Indicates red ring terminal
 - Indicates blue ring terminal
 - Indicates small red ring terminal
 - Indicates small blue ring terminal
- All wires 1/32" insulation

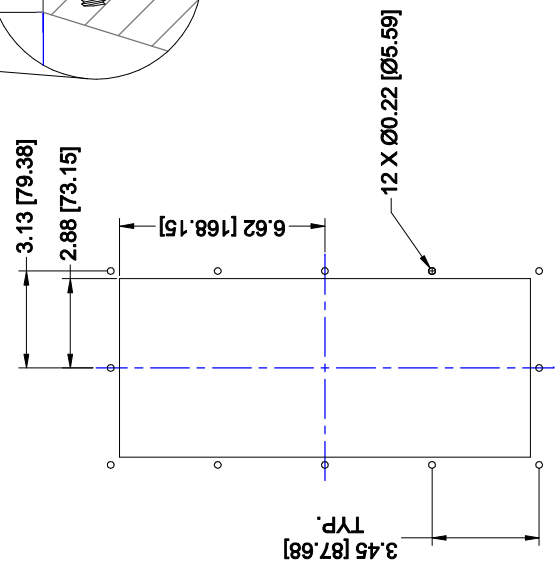
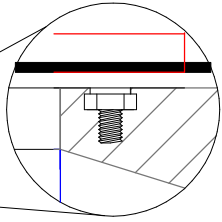
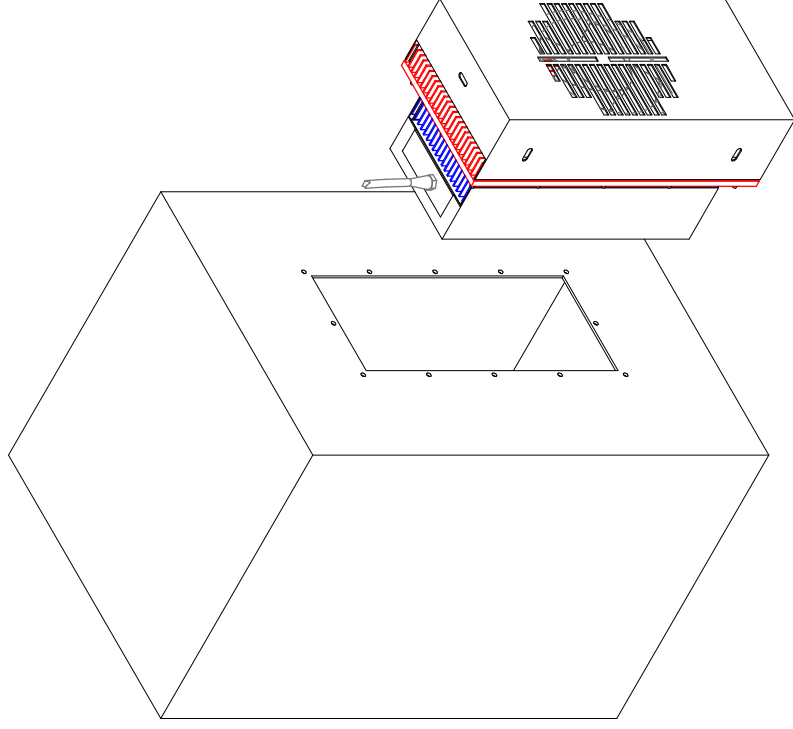
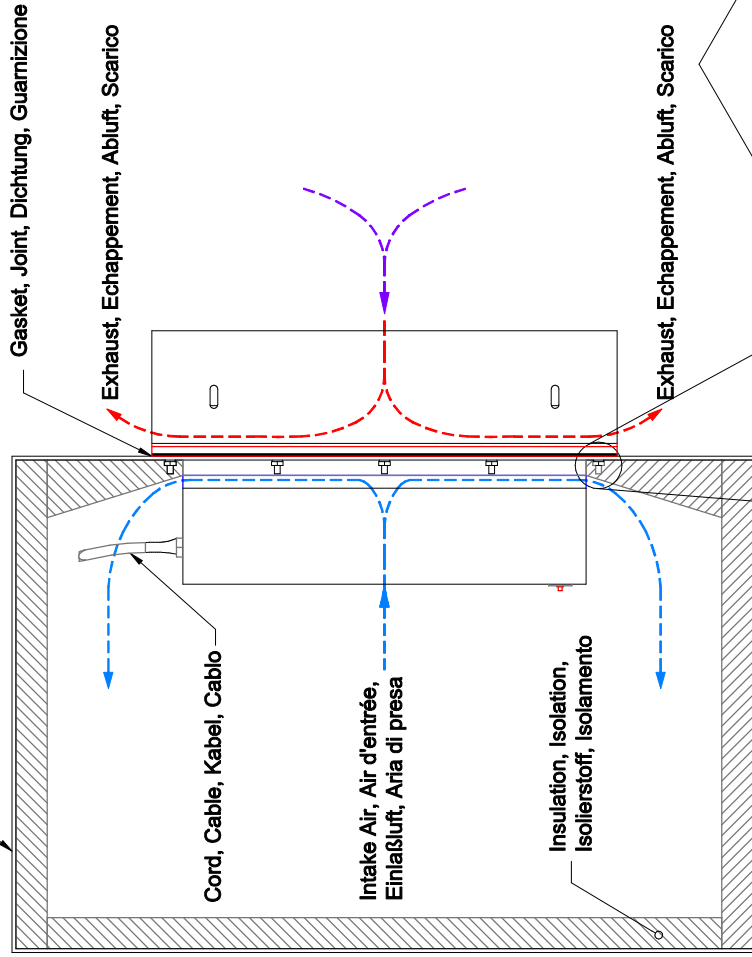


INFORMATION DISCLOSED HEREIN IS THE CONFIDENTIAL PROPERTY OF TECA CORP. RECIPIENT SHALL NOT USE THE INFORMATION IN ANY UNAUTHORIZED MANNER.		UNLESS OTHERWISE SPECIFIED DIMENSIONS ARE IN INCHES TOLERANCES ARE:		FINISH:	
	DECIMALS .XX + / - .XXX + / -	ANGLE + / - FRACTION + / -			
MATERIAL:					
A Separated TE & PS leads connection to terminal strip; Added shield to hot side power supply box.	01/25/2007 AA	APPROVED			
B Redrawn in CAD; Added EMI filter.	06/06/2011 AA	Date			
C Added alternate capacitor wiring for LMB fan.	11/21/2024 AA	Date			
REV	DESCRIPTION	Date	APPROVED	DRAWING # 1200-B-E65	REV LEVEL C
			SCALE D5789	MASTER: 1200-B-E40	SHEET

THERMOELECTRIC COOLING AMERICA CORP.
 AHP-1200XP-1
 WIRING DIAGRAM

Mounting, Montage, Montaggio

Enclosure, Armoire, Gehäuse, Armadi



3.45 [87.68]
TYP.

Alternate, Alternative, Deutsch, Italiano

English, Français, Deutsch, Italiano
Dimensions: Inches [Millimeters]

INFORMATION DISCLOSED HEREIN IS THE CONFIDENTIAL PROPERTY OF TECA CORP. RECIPIENT SHALL NOT USE THE INFORMATION IN ANY UNAUTHORIZED MANNER.
FINISH: _____
MATERIAL: _____
DECIMALS .XX +/- FRACTION XXX+/- ANGLE +/-

UNLESS OTHERWISE SPECIFIED DIMENSIONS ARE IN INCHES TOLERANCES ARE:

- Warning: Risk of electric shock. Can cause injury or death. Disconnect all remote electric power supplies before servicing.
Avertissement: Risque de choc électriques. Peut causer des blessures et même entraîner la mort. Couper les sources d'alimentation à distance avant le dépannage."
- Warning - Explosion Hazard - Substitution of components may impair suitability for Class I, Division 2.
Avertissement - Risque D'Explosion - La substitution de composants peut rendre ce matériel inacceptable pour les emplacements de Class 1, Division 2."

THERMOELECTRIC COOLING AMERICA CORP.

**AHP-1200EP / AHP-1200XP SERIES
TYPICAL FIELD MOUNTING**

REV	DESCRIPTION	Date	APPROVED
A	Changed AHP-1200P to AHP-1200EP in title block.	08/17/2011	AA
B	Revised warning notes to reflect the Intertek report.	05/25/2016	AA

DRAWN BY:	AA
DATE:	04/18/2011

DRAWING #	1200-A-F60
SCALE	MASTER: MASTER

REV	LEVEL	SHEET
B	B	



ThermoElectric Cooling America Corporation
4048 W. Schubert Avenue • Chicago, IL (U.S.A.) 60639
Ph: 773/342-4900 Fx: 773/342-0191
teca@thermoelectric.com www.thermoelectric.com

DECLARATION OF CONFORMITY

TYPE OF EQUIPMENT

Electrical Heat Pump, Air Conditioner
Solid State Cooling Devices

MODEL NUMBERS

Model nos. AHP followed by -1200XP, or -1200XPM, or 1200EP, or -1201XP, or -1201XPM or -1201EP; may be followed by HC may be followed by -1 or W/TC followed by -3F or -6F.

Model nos. AHP followed by 1800XP or 1800EP; may be followed by HC; may be followed by -1, or -2, or W/TC followed by 3F or 6F.

Model nos. AHP followed by -1801XP or -1801EP; may be followed by HC; may be followed by -1 or -2, or W/TC followed by 3F or 6F.

Model no. AHP followed by -1802XP or 1802EP may be followed by HC, may be followed by -1, or -2, or W/TC followed by 3F or 6F.

YEAR OF MANUFACTURE

Refer to the first two digits of the serial number on the manufacturers ID label

MANUFACTURER

TECA Corporation
4048 W. Schubert Avenue
Chicago, IL 60639
U.S.A.

APPLIED STANDARDS

- Standard for Electrical Equipment for Use in Class I and Class II, Division 2 and Class III Hazardous (Classified) Locations (UL 1604 - 3rd Edition 10/06/1995)
[Note: For use in Class I, Division 2 Locations Only]
- Standard for Non-Incendive Electrical Equipment for Use in Class I, Division 2 Hazardous Locations; Industrial Products; General Instruction No. 1 (CSA C22.2 No. 213-M1987 Ed.1 R1992)
- Standard for Safety of Heating and Cooling Equipment (UL 1995 / CSA C22.2.2 No. 236-05 - 3rd Edition, dated: February 18, 2005)

TESTING AGENCY

ITS Intertek Testing Services ETL SEMKO



REPORT No.

551722

VP of Engineering
Andy Brecklin

May 26, 2011

LIMITED WARRANTY

In the event a defect in material or workmanship is discovered in any of TECA's products within one year after the date they are delivered to Buyer, and if: (a) TECA is notified of the defect in writing by certified mail within 14 days of the date of discovery; (b) TECA may then either, at its sole discretion, inspect the product at Buyer's location, or require that the product be made available at Buyer's expense at TECA's premises for TECA's inspection within 14 days of the date of notification; and (c) the products are defective and the defects result from faulty materials and/or workmanship and not in any way from accident, misuse, misapplication, mishandling, modification, or alteration by the Buyer or the shipper, then TECA shall, at its sole option, repair or exchange defective products free of charge to Buyer, or credit to buyer the price of the defective products. ALL OTHER WARRANTIES, EXPRESS OR IMPLIED, ARE EXCLUDED, INCLUDING BUT NOT LIMITED TO THE IMPLIED WARRANTIES OF MERCHANTABILITY AND FITNESS FOR A PARTICULAR PURPOSE. IN NO EVENT SHALL TECA BE LIABLE FOR ANY CLAIM BASED UPON BREACH OF EXPRESS OR IMPLIED WARRANTY OR ANY OTHER DAMAGES WHETHER SPECIAL, INDIRECT, INCIDENTAL, CONSEQUENTIAL, LOST PROFITS, BUSINESS INTERRUPTION, OR LOSS OF BUSINESS OR CUSTOMER RELATIONSHIPS.

RETURNED GOODS, RESTOCKING CHARGES

In order to return merchandise for any reason (repair, replacement, or credit) a return authorization number must be issued by TECA. New merchandise may not be returned for credit beyond 60 days from shipment. Charges for incidental or other damages may also be made. All returned goods must be sent freight prepaid. A restocking charge of 15% will apply. On special equipment and custom modified equipment orders, additional incremental cancellation charges may be made.