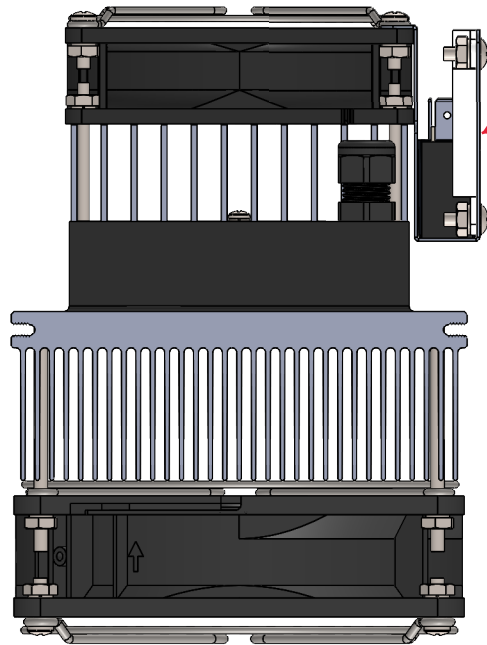
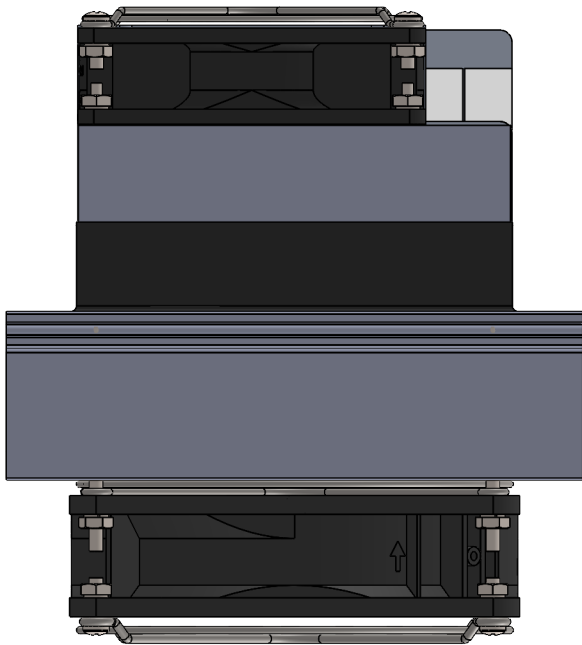
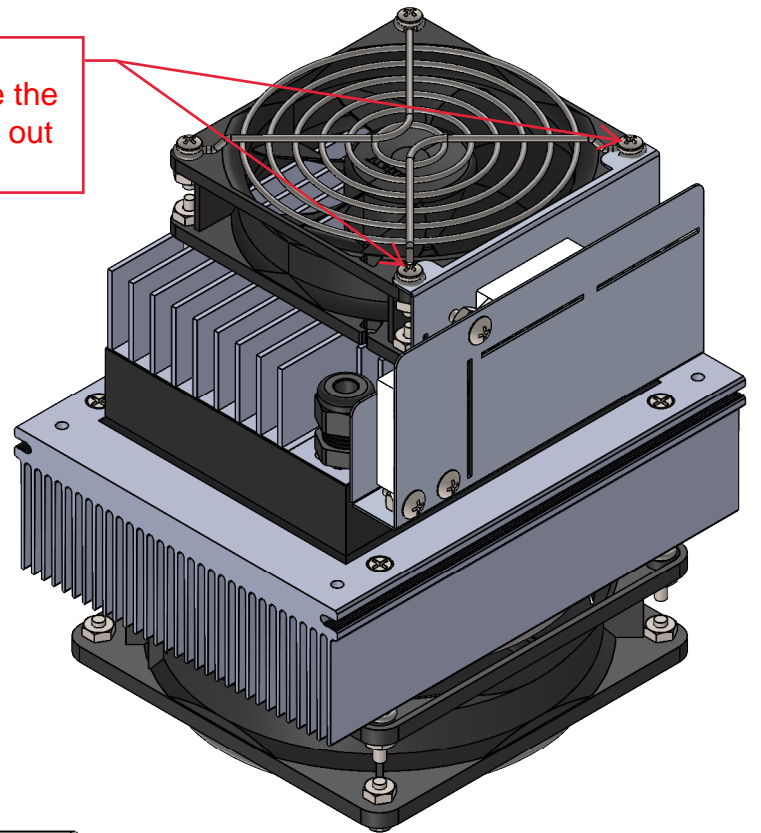
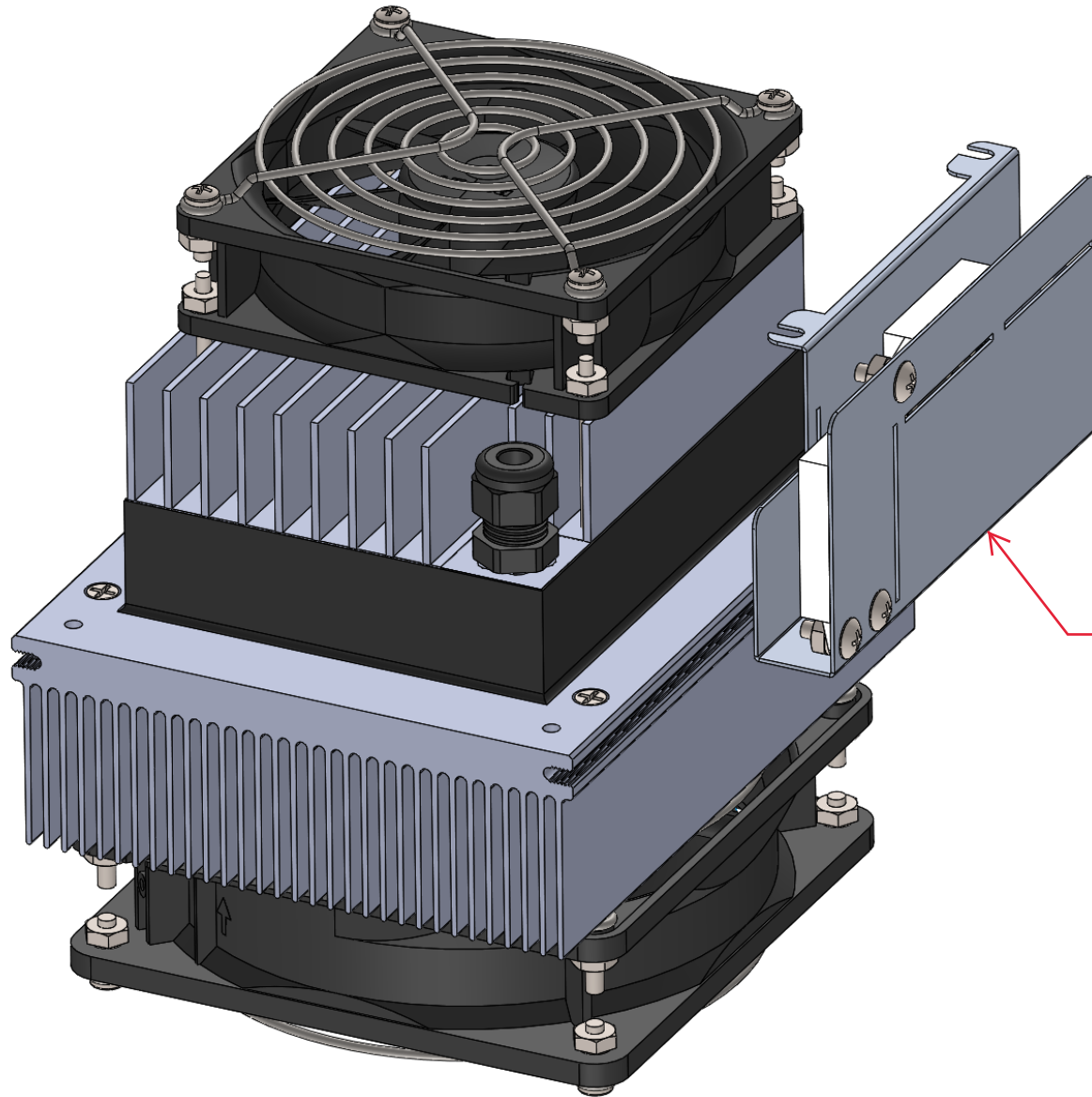


Loosen these screws to slide the TC-7F bracket out



TC-7F with relays inside the bracket pre-wired to the unit

Fit the AHP-250XEHC along with pre-wired TC-7F controller bracket assembly through the mounting cutout on the enclosure. Making sure wires are not pinched between the enclosure and the unit, secure the AHP-250XEHC on the enclosure.



TC-7F controller
inside the bracket
pre-wired to the
AHP-250XEHC

After the installation of the AHP-250XEHC on the enclosure is complete, slide the TC-7F bracket under the cold side fan finger guard and re-tighten the two screws.

Please note that on this guide the enclosure, mounting gasket and hardware are not shown.

Slide the TC-7F controller bracket under the cold side fan finger guard and re-tighten the two screws to secure the bracket in place.

