

# Product Information Packet

## Model AHP-270FF

Solid State Air Conditioner  
Nema-12, Reverse Polarity capable, 12 VDC

Part #0-L094-1-001

Thank you for your purchase. Information has been enclosed regarding the installation, specifications, and wiring of your solid-state assembly. Please read and follow all instructions carefully before installation. Only qualified technicians should install this equipment.

If you have any questions regarding your equipment, please do not hesitate to call us at 773-342-4900, and we will be happy to assist you. We are open from 8:00 am-4:30 pm Central Time.

Included in this packet you will find:

Installation Notes for Air Conditioners

Product Literature and Specifications

Assembly Drawing # SK140313

Wiring Drawing # SK140439

Optional Wiring Diagram # SK140454

Installation Drawing # SK140314

Warranty Information

The logo for Teca, featuring the word "teca" in a bold, lowercase, sans-serif font. The letter "t" is stylized with a vertical line extending upwards from its stem.

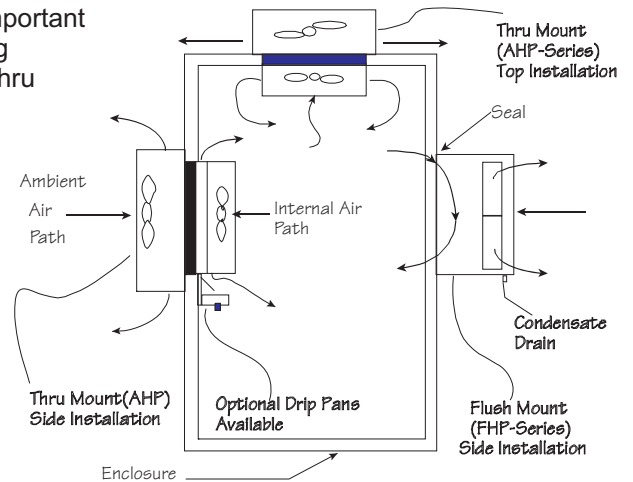
**ThermoElectric Cooling America Corporation**  
4048 W. Schubert Avenue • Chicago, IL (U.S.A.) 60639  
Ph: 773/342-4900 Fx: 773/342-0191  
sales@thermoelectric.com www.thermoelectric.com

# Important Installation Notes for Air

**Mounting Styles:** Both 'thru mount' and 'flush mount' units can be positioned in any orientation and on any enclosure surface. It is important to consider interior air flow patterns when determining the mounting location. Also of importance is an unrestricted flow of ambient air thru the hot side heat exchanger. Ease of access and inspection must be considered for those applications in particularly severe environments which may require occasional maintenance.

## Vertical (Side/Front/Back) Mounting:

Vertical mounting refers to the vertical direction of the cold side or interior fins and is recommended for applications with high humidity, poor and incomplete cabinet seals or any condition which may cause the cold side fins to be maintained at temperatures below the dew point for long periods of time allowing for the formation of condensation. The vertical fin direction provides a drip path whereupon condensation can be collected via a moisture removal system (standard on FHP-units) or a drip pan positioned below the cold side fins. Drip pans are optional for thru mount units.



## Condensate Removal System:

All FHP-Series and AHP-1400 air conditioners contain a built-in condensate removal system. The condensate kit consists of a antifungal sponge with a condensate wick. PVC tubing is also provided for drainage. Drip pans are optional for thru mount units which must be evaluated on an individual basis. Equations defining a relationship between the cold side fin and enclosure temperatures are provided to assist in the evaluation.

## Top Mounting:

Though often the easiest location to mount it is often the most difficult to protect from condensation in this orientation due to the fin orientation, gravity and any susceptible components below. If a drip pan is employed by the end user use caution to place the pan far enough away from the internal fan to minimize the restriction of air flow. The pan should cover the fin ends as well as the fan area. When there is a choice, the vertical orientation is preferred by most users.

## Maintenance:

Since the technology is solid-state, there are no filters, compressors, or fluorocarbons to maintain. The only moving parts are the fans. It is recommended for harsh or dirty environments that the heat sinks be cleaned from time to time. This can be accomplished by directing compressed air over the external fins or on NEMA 4 versions by hosing the unit down. This will increase the overall life and performance of the system.

## Cautions:

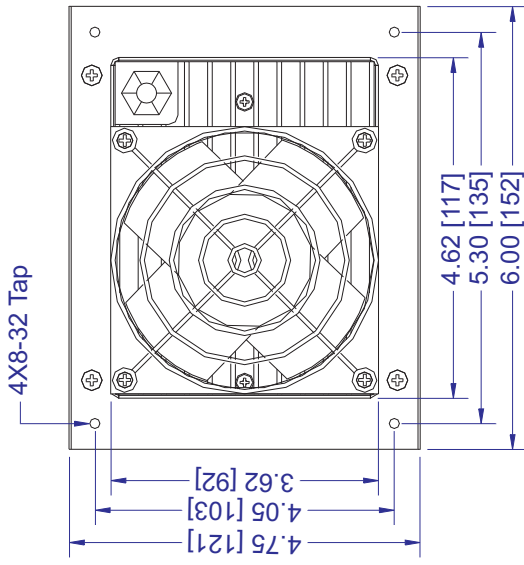
Take care when mounting not to damage the seal between the hot and cold side sinks. Do not attempt to mount a unit to a warped surface or try to make the units mounting surface conform to an unflat surface. Do not pinch or damage any leads when mounting. Do not over tighten any installation screw, use reasonable force. Always mount with any condensate drain down. Do not compress the cold side between the hot side and any other surface. Do not obstruct the airflow on either side. When mounting consider the natural air flows of the enclosure. Connect power only after the installation is complete.

## Notes on condensation:

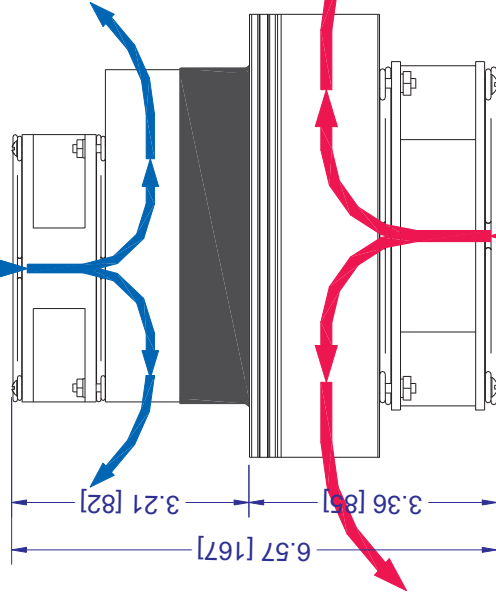
Condensation occurs at the cold side fins when the surface temperature goes below the dew point. To reduce or remove condensate, consider the following:

- Regulate the Fin Temperature above the Dewpoint.
- Keep Enclosure Closed and Sealed from Outside Humidity.
- Use Desiccant (Moisture absorbing Granules.)
- Employ Condensate Removal System/Drip Pans.

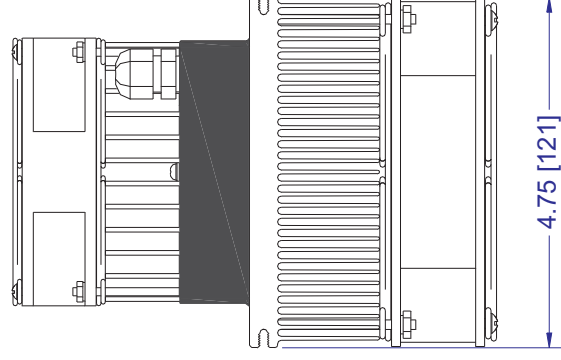
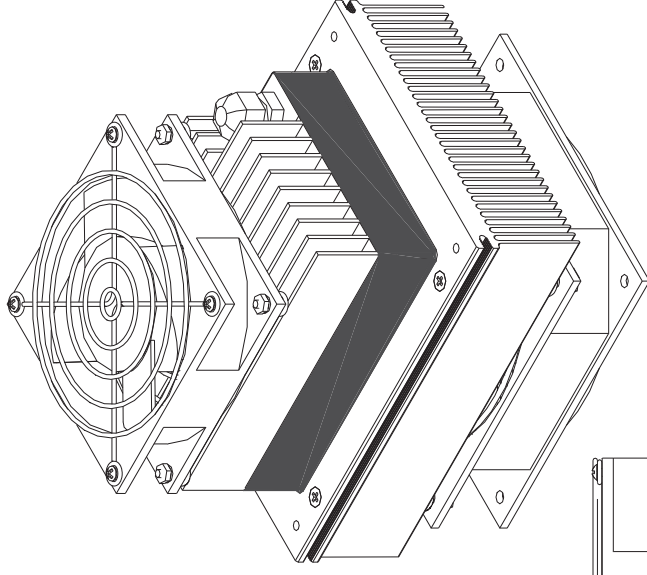
If you have any questions regarding your installation, Please feel free to contact our technical department for assistance at 773-342-4900.



Cold Side Air Flow Pattern



Hot Side Air Flow Pattern



INFORMATION DISCLOSED  
HEREIN IS THE  
CONFIDENTIAL PROPERTY  
OF TECA CORP. RECIPIENT  
SHALL NOT USE THE  
INFORMATION IN ANY  
UNAUTHORIZED MANNER.  
FINISH:

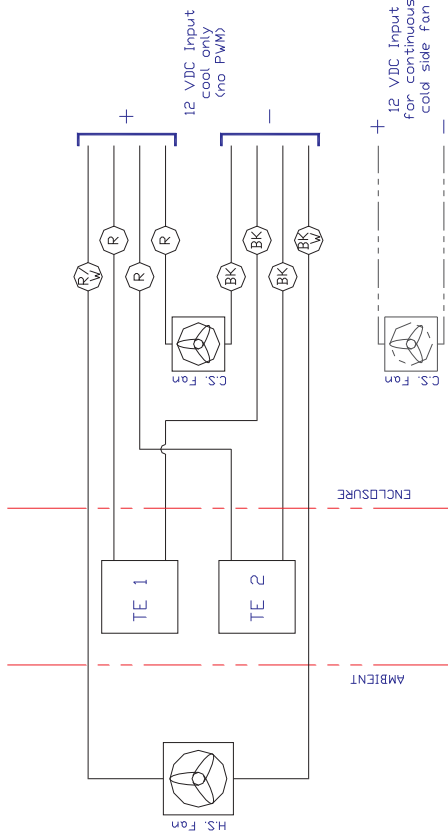
UNLESS OTHERWISE SPECIFIED  
DIMENSIONS ARE IN INCHES  
TOLERANCES ARE:  
DECIMALS ANGLE +/-  
.XX +/- FRACTION +/-  
.XXX +/-

THERMoeLECTRIC COOLING AMERICA CORP.

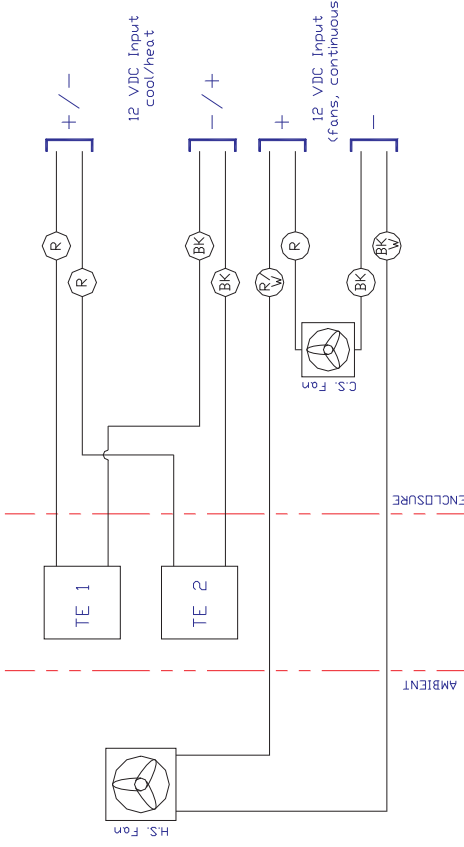
AHP-250, AHP-270 SERIES  
THERMOELECTRIC AIR CONDITIONER ASSEMBLY

REV	DESCRIPTION	Date	APPROVED

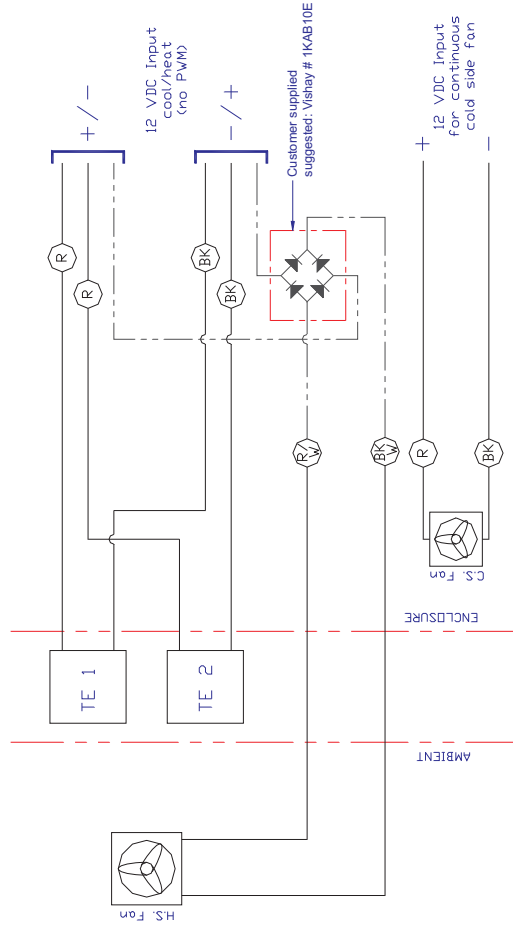
DRAWN BY: AA	DRAWING #	REV LEVEL
DATE: 03/10/2014	SK140313	
D9051	SCALE	SHEET
	MASTER: MASTER	



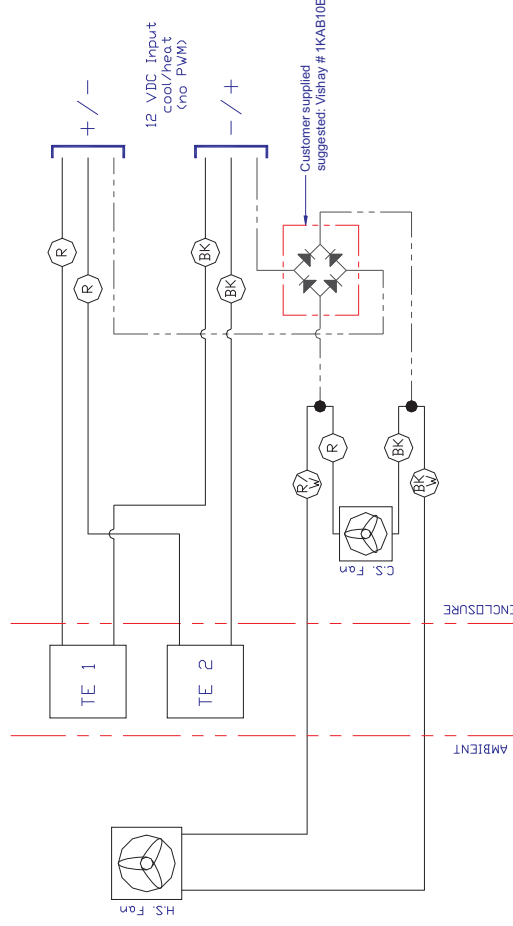
12 VDC, Cool only (no PWM)  
fans cycle with TE



12 VDC, Heat/Cool via polarity reversal  
all fans on continuous



12 VDC, Heat/Cool via polarity reversal (no PWM)  
hot side fan reverse polarity protected  
hot side fan cycles with TE  
cold side fan continuous



12 VDC, Heat/Cool via polarity reversal (no PWM)  
fans reverse polarity protected  
all fans cycle with TE

INFORMATION DISCLOSED  
HEREIN IS THE  
CONFIDENTIAL PROPERTY  
OF TEGA CORP. RECIPIENT  
SHALL NOT USE THE  
INFORMATION IN ANY  
UNAUTHORIZED MANNER.  
FINISH:

UNLESS OTHERWISE SPECIFIED  
DIMENSIONS ARE IN INCHES  
TOLERANCES ARE:  
DECIMALS .XX +/-  
FRACTION .XXX +/-  
ANGLE +/-  
MATERIAL:

**THERMOELECTRIC COOLING AMERICA CORP.**

AHP-250/270 SERIES  
TYPICAL WIRING

DRAWN BY: AA

DATE: 04/14/2014

SK140439

D9130

SCALE

MASTER: MASTER

REV LEVEL

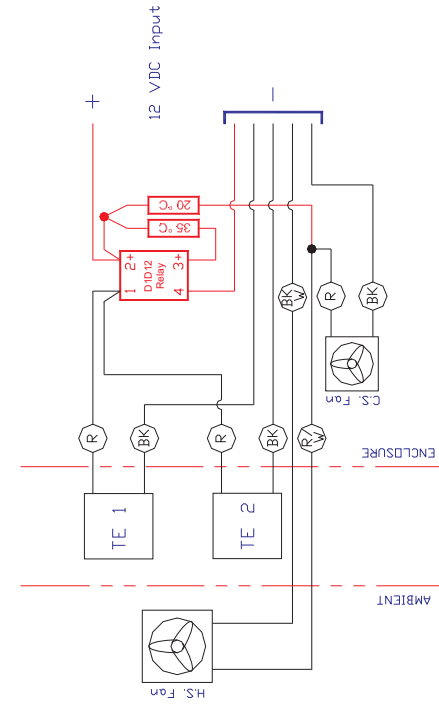
SHEET

REV

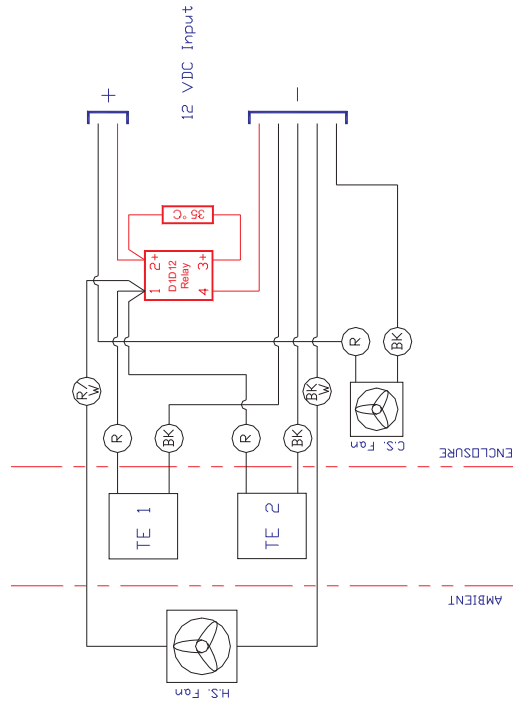
DESCRIPTION

Date

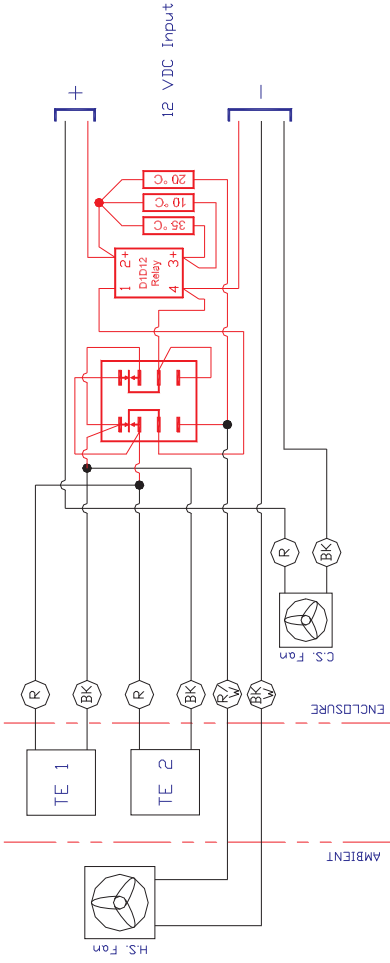
APPROVED



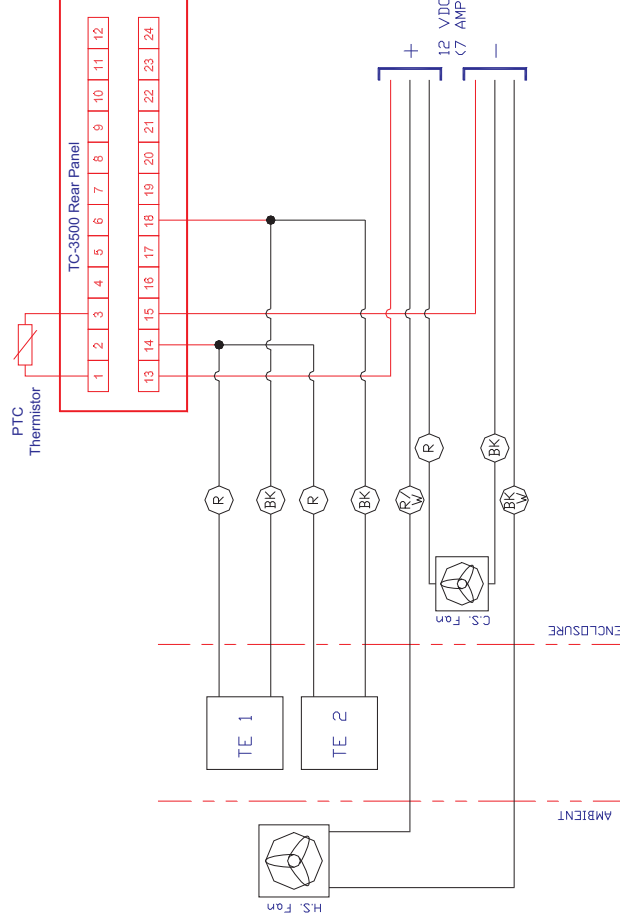
12 VDC, Cool only with TC-4F (shown in RED)



12 VDC, Cool only with TC-1F (shown in RED)



12 VDC, Heat/Cool with TC-7F (shown in RED)



12 VDC, Heat/Cool with TC-3500 (shown in RED)  
(not for AHP-270 series 12 VDC)

INFORMATION DISCLOSED  
HEREIN IS THE  
CONFIDENTIAL PROPERTY  
OF TECA CORP. RECIPIENT  
SHALL NOT USE THE  
INFORMATION IN ANY  
UNAUTHORIZED MANNER.

FINISH:

UNLESS OTHERWISE SPECIFIED  
DIMENSIONS ARE IN INCHES  
TOLERANCES ARE:

DECIMALS	ANGLE	+/-
.XX	+/-	FRACTION
.XXX	+/-	+/-

MATERIAL:

**THERMOELECTRIC COOLING AMERICA CORP.**

AHP-250/270 SERIES

TYPICAL WIRING WITH CONTROLLER OPTIONS

DRAWN BY: AA

DATE: 04/23/2014

DRAWING # SK140454

SCALE D9145

MASTER: MASTER

REV LEVEL

SHEET

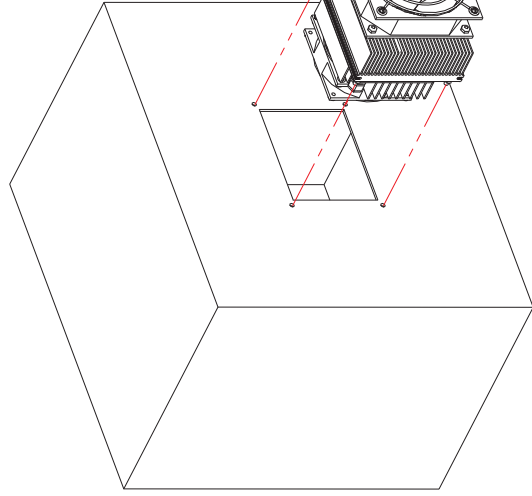
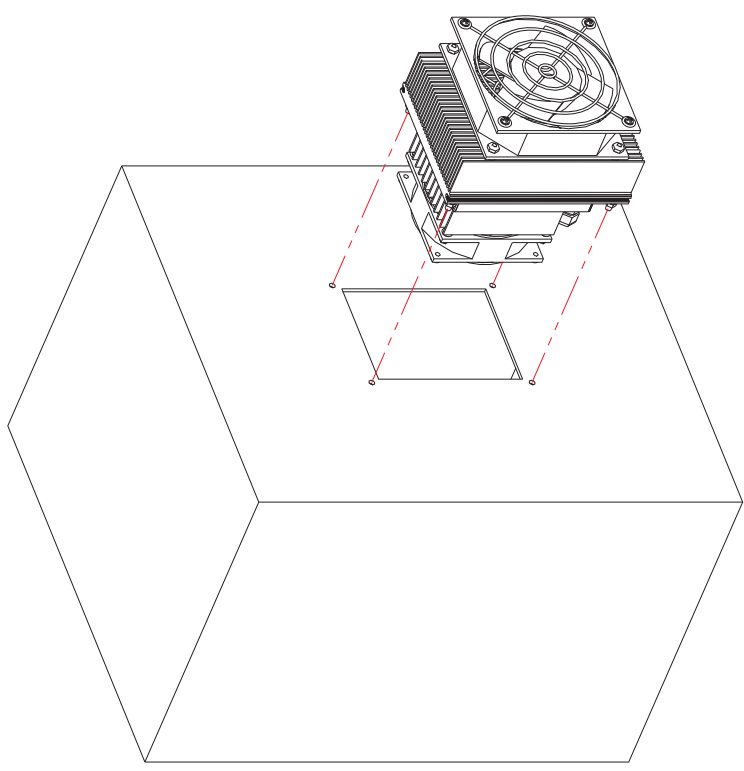
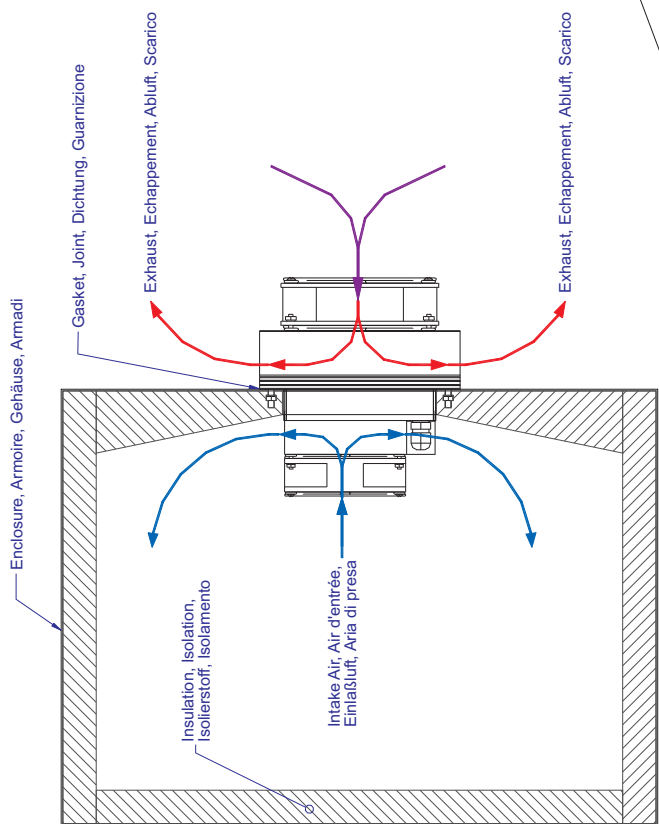
REV

DESCRIPTION

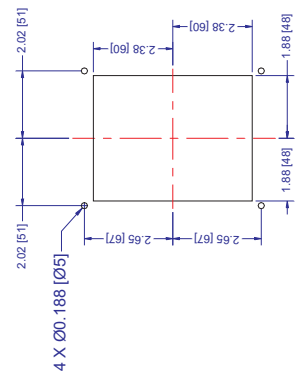
Date

APPROVED

# Mounting, Monture, Montage, Montaggio



## MOUNTING CUTOUT DIMENSIONS



Alternate, Alternative, Alternative, Alternativa

English, Français, Deutsch, Italiano  
Dimensions: Inches [Millimeters]

INFORMATION DISCLOSED HEREIN IS THE CONFIDENTIAL PROPERTY OF TECA CORP. RECIPIENT SHALL NOT USE THE INFORMATION IN ANY UNAUTHORIZED MANNER. FINISH:	UNLESS OTHERWISE SPECIFIED DIMENSIONS ARE IN INCHES TOLERANCES ARE:	
	DECIMALS .XX +/- .XXX +/-	ANGLE +/- FRACTION +/-
DRAWN BY: AA DATE: 03/10/2014	DRAWING #	REV LEVEL
	SK140314	
THERMOELECTRIC COOLING AMERICA CORP. AHP-250, AHP-270 SERIES TYPICAL FIELD MOUNTING	SCALE	SHEET
	D9052	SK140313
APPROVED	Date	MASTER: SK140313
DESCRIPTION		



## LIMITED WARRANTY

In the event a defect in material or workmanship is discovered in any of TECA's products within one year after the date they are delivered to Buyer, and if: (a) TECA is notified of the defect in writing by certified mail within 14 days of the date of discovery; (b) TECA may then either, at its sole discretion, inspect the product at Buyer's location, or require that the product be made available at Buyer's expense at TECA's premises for TECA's inspection within 14 days of the date of notification; and (c ) the products are defective and the defects result from faulty materials and/or workmanship and not in any way from accident, misuse, misapplication, mishandling, modification, or alteration by the Buyer or the shipper, then TECA shall, at its sole option, repair or exchange defective products free of charge to Buyer, or credit to buyer the price of the defective products. ALL OTHER WARRANTIES, EXPRESS OR IMPLIED, ARE EXCLUDED, INCLUDING BUT NOT LIMITED TO THE IMPLIED WARRANTIES OF MERCHANTABILITY AND FITNESS FOR A PARTICULAR PURPOSE. IN NO EVENT SHALL TECA BE LIABLE FOR ANY CLAIM BASED UPON BREACH OF EXPRESS OR IMPLIED WARRANTY OR ANY OTHER DAMAGES WHETHER SPECIAL, INDIRECT, INCIDENTAL, CONSEQUENTIAL, LOST PROFITS, BUSINESS INTERRUPTION, OR LOSS OF BUSINESS OR CUSTOMER RELATIONSHIPS.

## RETURNED GOODS, RESTOCKING CHARGES

In order to return merchandise for any reason ( repair, replacement, or credit) a return authorization number must be issued by TECA. New merchandise may not be returned for credit beyond 60 days from shipment. Charges for incidental or other damages may also be made. All returned goods must be sent freight prepaid. A restocking charge of 15% will apply. On special equipment and custom modified equipment orders, additional incremental cancellation charges may be made.