

Product Information Packet

Model AHP-270XE

Solid State Air Conditioner
Nema-4, Reverse Polarity capable, 24 VDC

Part #0-L095-5-001

Thank you for your purchase. Information has been enclosed regarding the installation, specifications, and wiring of your solid-state assembly. Please read and follow all instructions carefully before installation. Only qualified technicians should install this equipment.

If you have any questions regarding your equipment, please do not hesitate to call us at 773-342-4900, and we will be happy to assist you. We are open from 8:00 am-4:30 pm Central Time.

Included in this packet you will find:

Installation Notes for Air Conditioners

Product Literature and Specifications

Assembly Drawing # SK140313

Wiring Drawing # SK140643

Optional Wiring Diagram # SK140644

Installation Drawing # SK140314

Warranty Information

The logo for Teca, featuring the word "teca" in a bold, lowercase, sans-serif font. The letter "t" is stylized with a vertical line extending upwards from its stem. The logo is positioned on the left side of the page, above a horizontal line.

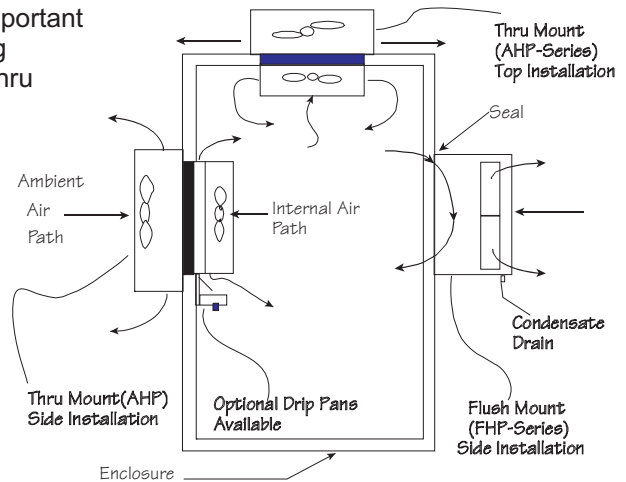
ThermoElectric Cooling America Corporation
4048 W. Schubert Avenue • Chicago, IL (U.S.A.) 60639
Ph: 773/342-4900 Fx: 773/342-0191
sales@thermoelectric.com www.thermoelectric.com

Important Installation Notes for Air

Mounting Styles: Both 'thru mount' and 'flush mount' units can be positioned in any orientation and on any enclosure surface. It is important to consider interior air flow patterns when determining the mounting location. Also of importance is an unrestricted flow of ambient air thru the hot side heat exchanger. Ease of access and inspection must be considered for those applications in particularly severe environments which may require occasional maintenance.

Vertical (Side/Front/Back) Mounting:

Vertical mounting refers to the vertical direction of the cold side or interior fins and is recommended for applications with high humidity, poor and incomplete cabinet seals or any condition which may cause the cold side fins to be maintained at temperatures below the dew point for long periods of time allowing for the formation of condensation. The vertical fin direction provides a drip path whereupon condensation can be collected via a moisture removal system (standard on FHP-units) or a drip pan positioned below the cold side fins. Drip pans are optional for thru mount units.



Condensate Removal System:

All FHP-Series and AHP-1400 air conditioners contain a built-in condensate removal system. The condensate kit consists of a antifungal sponge with a condensate wick. PVC tubing is also provided for drainage. Drip pans are optional for thru mount units which must be evaluated on an individual basis. Equations defining a relationship between the cold side fin and enclosure temperatures are provided to assist in the evaluation.

Top Mounting:

Though often the easiest location to mount it is often the most difficult to protect from condensation in this orientation due to the fin orientation, gravity and any susceptible components below. If a drip pan is employed by the end user use caution to place the pan far enough away from the internal fan to minimize the restriction of air flow. The pan should cover the fin ends as well as the fan area. When there is a choice, the vertical orientation is preferred by most users.

Maintenance:

Since the technology is solid-state, there are no filters, compressors, or fluorocarbons to maintain. The only moving parts are the fans. It is recommended for harsh or dirty environments that the heat sinks be cleaned from time to time. This can be accomplished by directing compressed air over the external fins or on NEMA 4 versions by hosing the unit down. This will increase the overall life and performance of the system.

Cautions:

Take care when mounting not to damage the seal between the hot and cold side sinks. Do not attempt to mount a unit to a warped surface or try to make the units mounting surface conform to an unflat surface. Do not pinch or damage any leads when mounting. Do not over tighten any installation screw, use reasonable force. Always mount with any condensate drain down. Do not compress the cold side between the hot side and any other surface. Do not obstruct the airflow on either side. When mounting consider the natural air flows of the enclosure. Connect power only after the installation is complete.

Notes on condensation:

Condensation occurs at the cold side fins when the surface temperature goes below the dew point. To reduce or remove condensate, consider the following:

- Regulate the Fin Temperature above the Dewpoint.
- Keep Enclosure Closed and Sealed from Outside Humidity.
- Use Desiccant (Moisture absorbing Granules.)
- Employ Condensate Removal System/Drip Pans.

If you have any questions regarding your installation, Please feel free to contact our technical department for assistance at 773-342-4900.

AHP-270 Air Conditioner

Air Cooled
Through Mounted
Nema-12, 4, 4X

12 VDC, 24 VDC
161 BTU/HR



FEATURES

- Compact (only 6" X 4.75" X 6.6")
- Mounts and operates in any orientation: horizontal, vertical, etc.
- Low vibration and noise
- No moving parts except fans
- Environmentally safe
- No compressor, fluorocarbons or filters
- Heat via reverse polarity
- Virtually maintenance-free operation
- Weight 4.4 LBS.

OPERATING TEMPERATURES

Operating Ambient -40/+70 °C
Operating Enclosure -10/+60 °C

PERFORMANCE RATINGS

Cooling (Traditional) 161 BTU/HR
Cooling (Din 3168) 47 WATTS
Cooling COP (at L35 L35) 0.46

OPTIONS

- Temperature Control TC-6F DC for cool only
- Temperature Control TC-3F DC for heat/cool
- Adaptable for TC-3400
- Stainless steel exterior housing

INCLUDES

- Mounting gasket
- Mounting hardware
- Power input leads

CONFIGURATIONS

MODEL	PART NUMBER	NOTES	HEAT Watts	VOLTAGE VDC	CURRENT AMPS	ENVIRONMENT
AHP-270FF	0-L094-1-001	Industrial Fans	100	12	8.3	NEMA-12, IP 52
AHP-270FF	0-L095-1-001	Industrial Fans	100	24	4.1	NEMA-12, IP 52
AHP-270XE	0-L094-5-001	Sealed Hot Side Fan	100	12	8.3	NEMA-4, IP 56
AHP-270XE	0-L095-5-001	Sealed Hot Side Fan	100	24	4.1	NEMA-4, IP 56
AHP-270X	0-L094-3-001	Mil. Grade Hot Side Fan	100	12	8.3	NEMA-4X, IP 56
AHP-270X	0-L095-3-001	Mil. Grade Hot Side Fan	100	24	4.1	NEMA-4X, IP 56

Heat function via reverse polarity (controller dependent)

AHP-270

MOUNTING STYLE

Through Mounted

ENVIRONMENTS SERVED

NEMA-12 IP 52

NEMA-4,4X IP 56

RATING (TRADITIONAL)

161 BTU/hr @ 0 °F ΔT

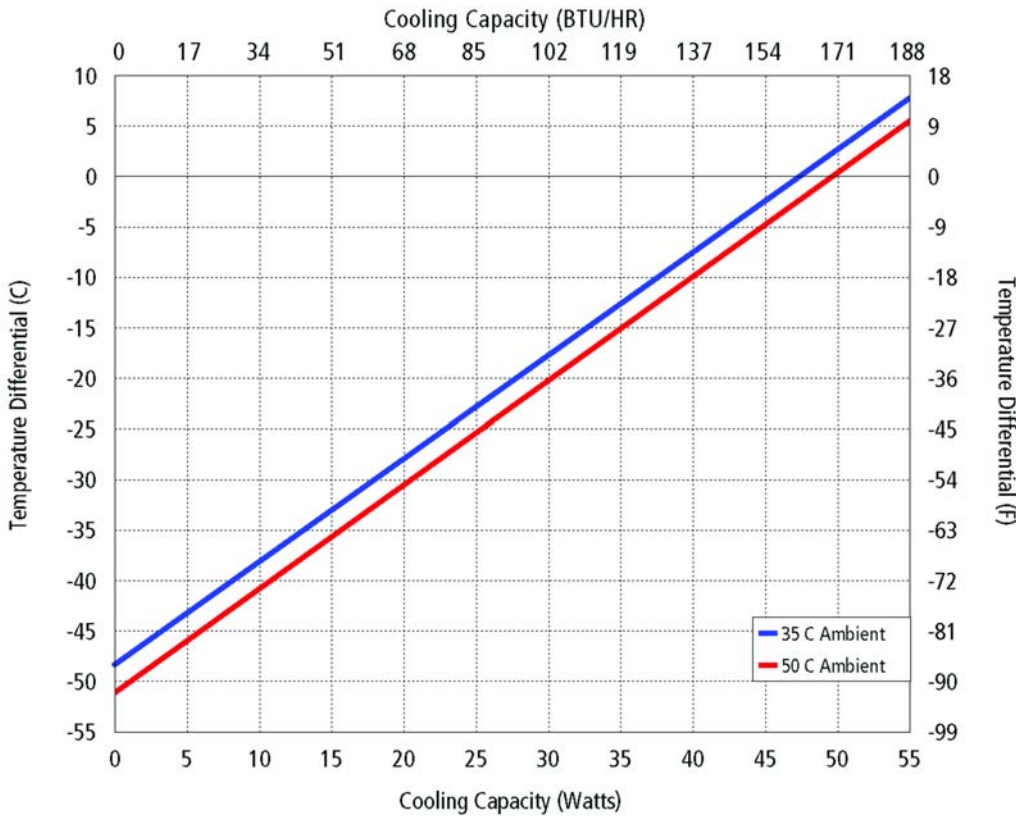
198 BTU/hr @ +20 °F ΔT

RATING (DIN 3168)

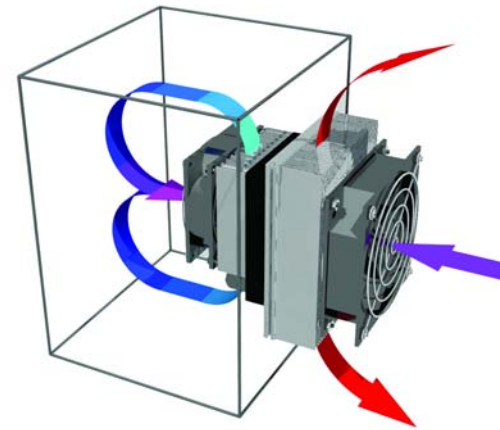
47 Watts L35 L35

35 Watts L35 L50

PERFORMANCE CURVE

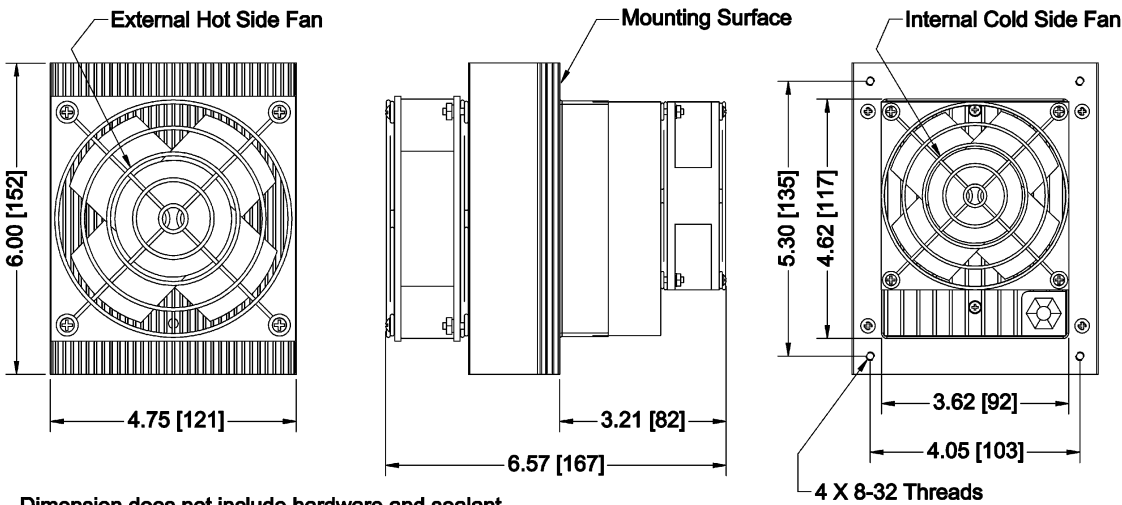


Equation of Line: $y = \Delta T(^{\circ}C) \quad x = \text{Capacity (Watts)}$		
Ambient Temp	35°C	50°C
Enclosure Air	$y = 1.02x - 48.3$	$y = 1.03x - 51$
Cold Sink	$y = 0.78x - 48.3$	$y = 0.79x - 51$



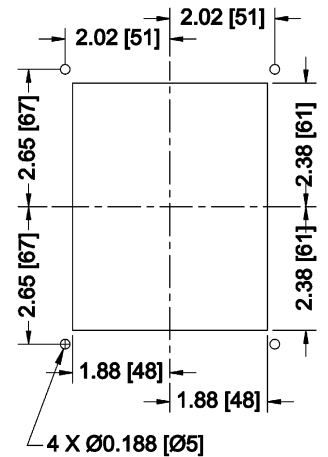
Air Flow Pattern

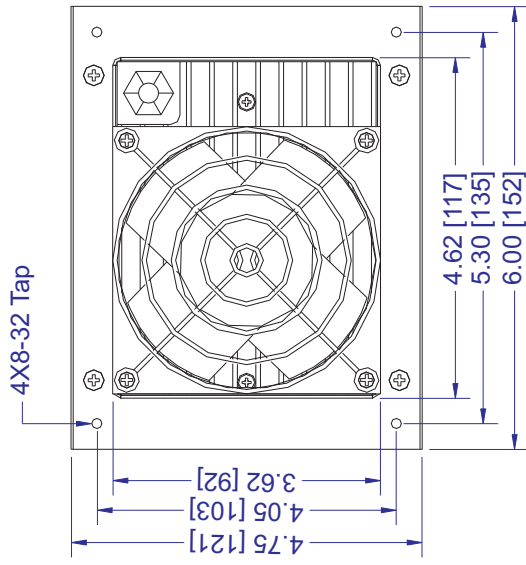
DIMENSIONS



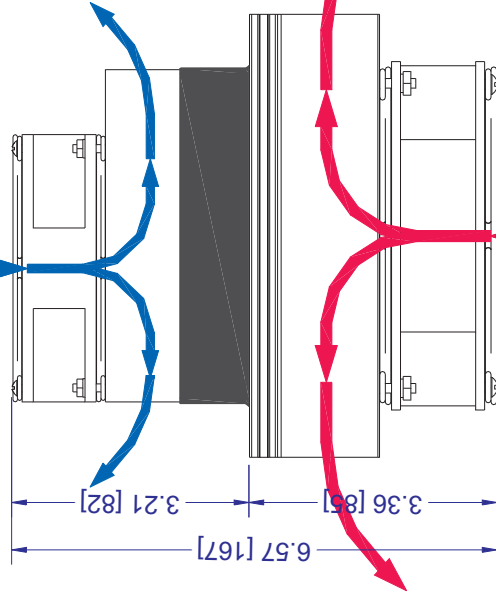
Dimension does not include hardware and sealant.
Hardware and gasket included but not shown.
Dimensions: Inches [Millimeters]

MOUNTING CUTOUT DIMENSIONS

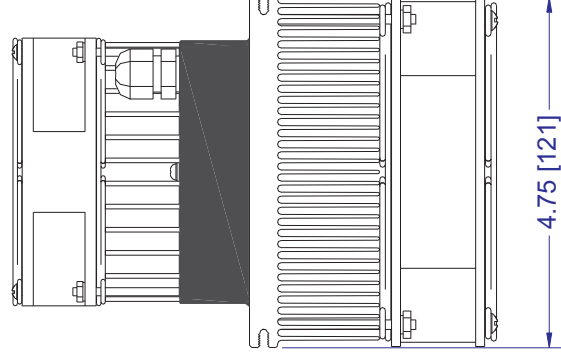
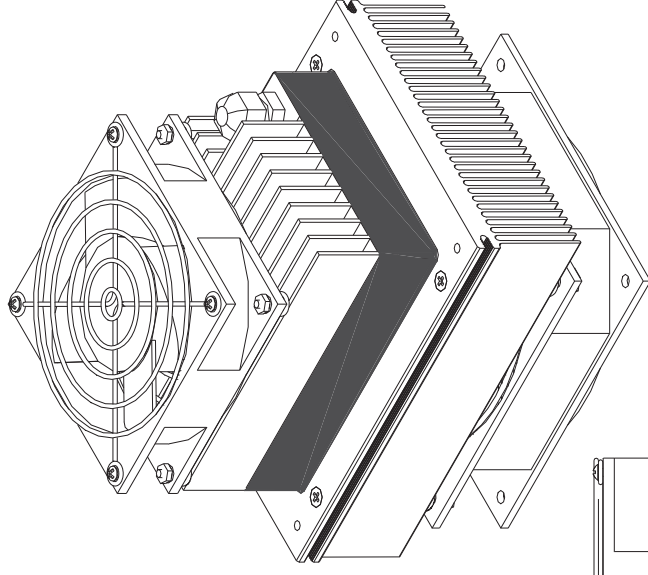




Cold Side Air Flow Pattern



Hot Side Air Flow Pattern

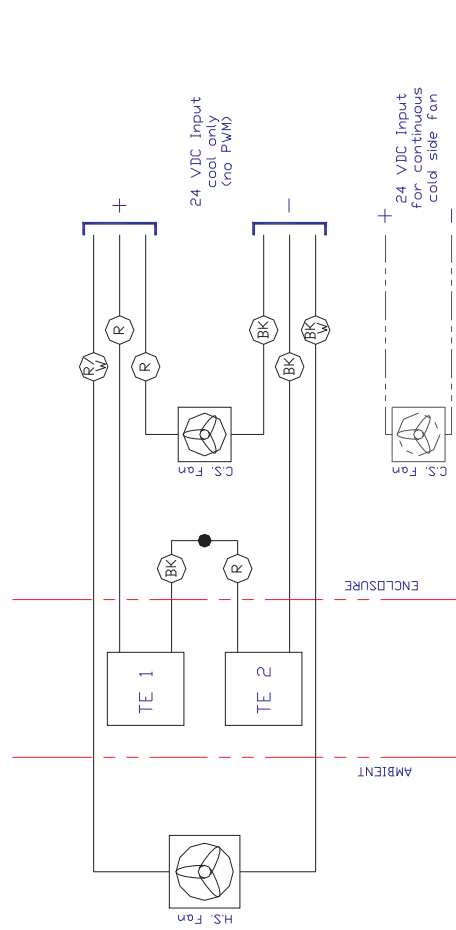


INFORMATION DISCLOSED
HEREIN IS THE
CONFIDENTIAL PROPERTY
OF TECA CORP. RECIPIENT
SHALL NOT USE THE
INFORMATION IN ANY
UNAUTHORIZED MANNER.
FINISH:

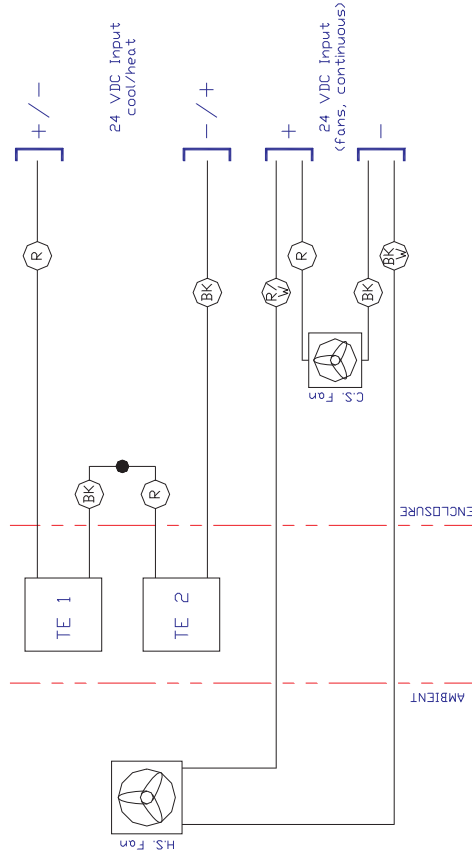
UNLESS OTHERWISE SPECIFIED
DIMENSIONS ARE IN INCHES
TOLERANCES ARE:
DECIMALS ANGLE +/-
.XX +/- FRACTION +/-
.XXX +/-

THERMOELECTRIC COOLING AMERICA CORP. AHP-250, AHP-270 SERIES THERMOELECTRIC AIR CONDITIONER ASSEMBLY		DRAWING # SK140313	REV LEVEL SHEET
DRAWN BY: AA	DATE: 03/10/2014	SCALE D9051	MASTER: MASTER

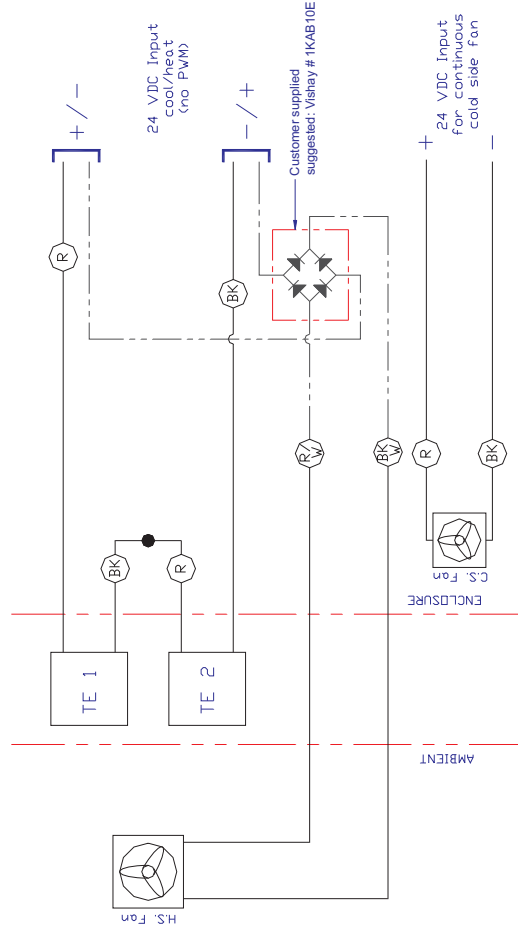
REV	DESCRIPTION	Date	APPROVED
-----	-------------	------	----------



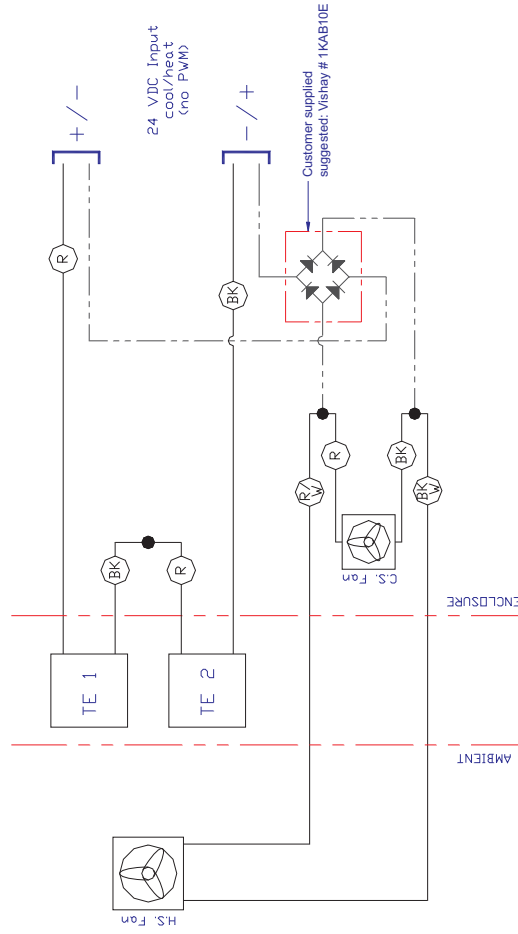
24 VDC, Cool only (no PWM)
fans cycle with TE



24 VDC, Heat/Cool via polarity reversal
all fans on continuous



24 VDC, Heat/Cool via polarity reversal (no PWM)
hot side fan reverse polarity protected
hot side fan cycles with TE
cold side fan continuous

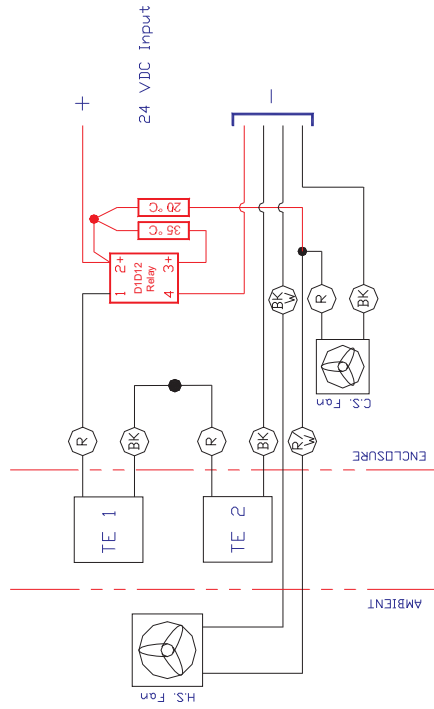


24 VDC, Heat/Cool via polarity reversal (no PWM)
fans reverse polarity protected
all fans cycle with TE

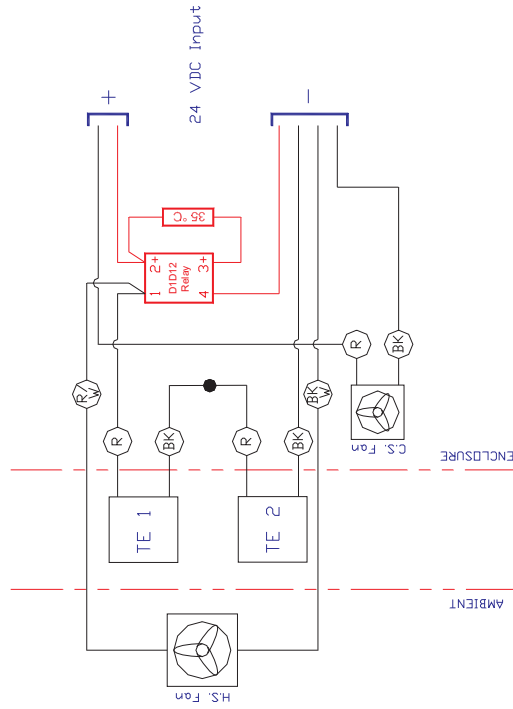
REV	DESCRIPTION	Date	APPROVED

INFORMATION DISCLOSED HEREIN IS THE CONFIDENTIAL PROPERTY OF TECA CORP. RECIPIENT SHALL NOT USE THE INFORMATION IN ANY UNAUTHORIZED MANNER. FINISH:	UNLESS OTHERWISE SPECIFIED DIMENSIONS ARE IN INCHES TOLERANCES ARE:
	DECIMALS .XX +/-
	ANGLE +/- FRACTION +/-

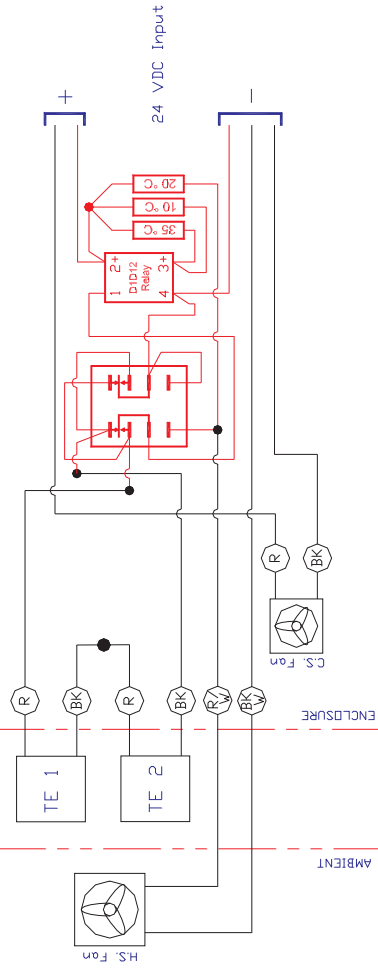
THERMOELECTRIC COOLING AMERICA CORP.			
AHP-250/270 SERIES		24 VDC	
TYPICAL WIRING			
DRAWN BY: AA	DRAWING #	SK140643	REV LEVEL
DATE: 06/24/2014	SCALE	MASTER: MASTER	SHEET
D9258			



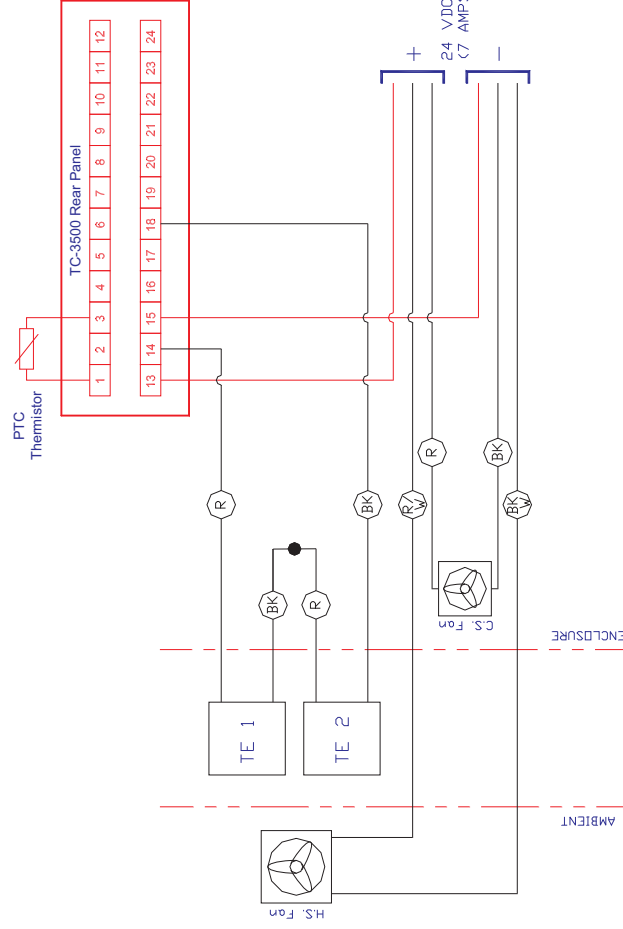
24 VDC, Cool only with TC-4F (shown in RED)



24 VDC, Cool only with TC-1F (shown in RED)



24 VDC, Heat/Cool with TC-7F (shown in RED)



24 VDC, Heat/Cool with TC-3500 (shown in RED)

INFORMATION DISCLOSED HEREIN IS THE CONFIDENTIAL PROPERTY OF TECA CORP. RECIPIENT SHALL NOT USE THE INFORMATION IN ANY UNAUTHORIZED MANNER. FINISH:

UNLESS OTHERWISE SPECIFIED DIMENSIONS ARE IN INCHES TOLERANCES ARE:
 DECIMALS .XX +/-
 FRACTION XXX +/-
 ANGLE +/-
 MATERIAL:

DRAWN BY: AA		DRAWING #	REV LEVEL
D9259		MASTER: SK140643	SHEET

THERMOELECTRIC COOLING AMERICA CORP.
 AHP-250/270 SERIES 24 VDC
 TYPICAL WIRING WITH CONTROLLER OPTIONS

LIMITED WARRANTY

In the event a defect in material or workmanship is discovered in any of TECA's products within one year after the date they are delivered to Buyer, and if: (a) TECA is notified of the defect in writing by certified mail within 14 days of the date of discovery; (b) TECA may then either, at its sole discretion, inspect the product at Buyer's location, or require that the product be made available at Buyer's expense at TECA's premises for TECA's inspection within 14 days of the date of notification; and (c) the products are defective and the defects result from faulty materials and/or workmanship and not in any way from accident, misuse, misapplication, mishandling, modification, or alteration by the Buyer or the shipper, then TECA shall, at its sole option, repair or exchange defective products free of charge to Buyer, or credit to buyer the price of the defective products. ALL OTHER WARRANTIES, EXPRESS OR IMPLIED, ARE EXCLUDED, INCLUDING BUT NOT LIMITED TO THE IMPLIED WARRANTIES OF MERCHANTABILITY AND FITNESS FOR A PARTICULAR PURPOSE. IN NO EVENT SHALL TECA BE LIABLE FOR ANY CLAIM BASED UPON BREACH OF EXPRESS OR IMPLIED WARRANTY OR ANY OTHER DAMAGES WHETHER SPECIAL, INDIRECT, INCIDENTAL, CONSEQUENTIAL, LOST PROFITS, BUSINESS INTERRUPTION, OR LOSS OF BUSINESS OR CUSTOMER RELATIONSHIPS.

RETURNED GOODS, RESTOCKING CHARGES

In order to return merchandise for any reason (repair, replacement, or credit) a return authorization number must be issued by TECA. New merchandise may not be returned for credit beyond 60 days from shipment. Charges for incidental or other damages may also be made. All returned goods must be sent freight prepaid. A restocking charge of 15% will apply. On special equipment and custom modified equipment orders, additional incremental cancellation charges may be made.