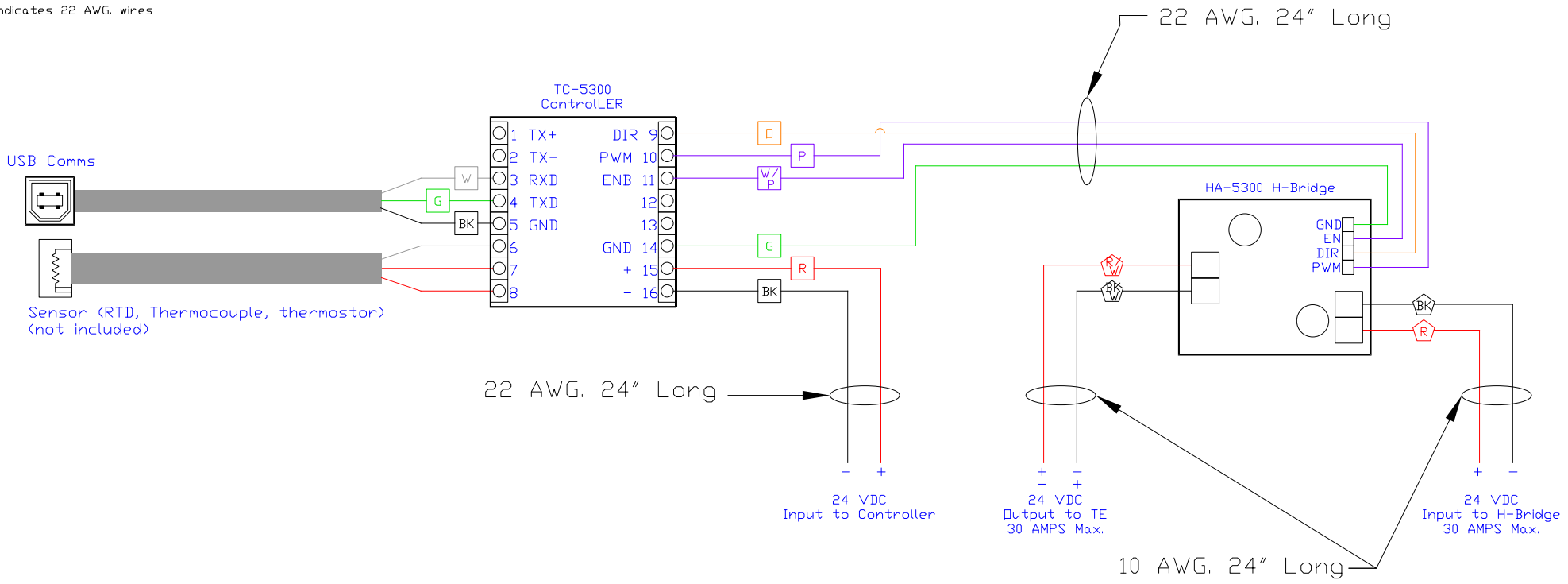


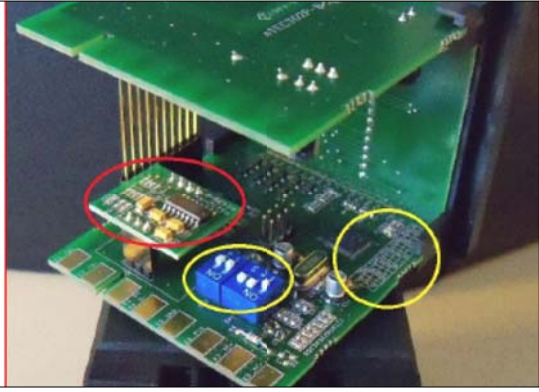
⬡ Indicates 10 AWG. wires  
 □ Indicates 22 AWG. wires



### Sensor Type & Dip-Switch Setting



Pull out the controller



Sensor setting Dip-Switches

	SW1			SW2	
	1	2	3	1	2
<b>TC</b>	ON	OFF	OFF	ON	ON
<b>PT (RTD)</b>	ON	OFF	OFF	OFF	ON
<b>TR</b>	OFF	ON	ON	OFF	OFF

INFORMATION DISCLOSED HEREIN IS THE CONFIDENTIAL PROPERTY OF TECA CORP. RECIPIENT SHALL NOT USE THE INFORMATION IN ANY UNAUTHORIZED MANNER.

UNLESS OTHERWISE SPECIFIED DIMENSIONS ARE IN INCHES TOLERANCES ARE:

DECIMALS	ANGLE
.XX +/-	+/-
.XXX +/-	FRACTION +/-

THERMOELECTRIC COOLING AMERICA CORP.

TC-5300 PWM CONTROLLER  
 GENERAL WIRING DIAGRAM

REV	DESCRIPTION	Date	APPROVED

FINISH: MATERIAL:

DRAWN BY: AA	DRAWING # SK171025	REV LEVEL
DATE: 10/27/2017	SCALE	MASTER: MASTER
S1240		SHEET